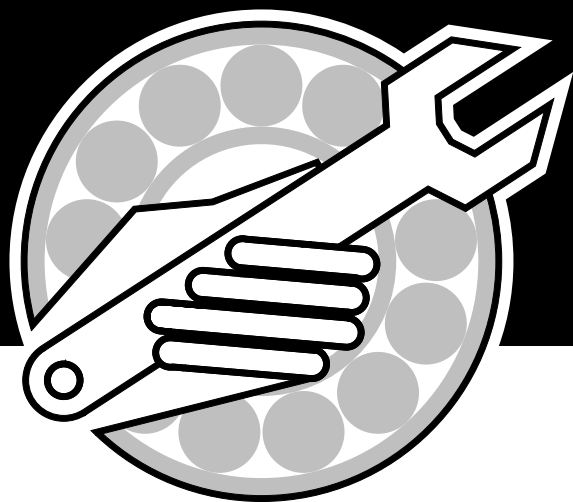




Parts Manual



Maxim III Air Drill

Part Number S39884-05

IMPORTANT:

ALL ITEMS ARE IDENTIFIED WITH A PART NUMBER. Some of the smaller parts such as bolts, nuts, washers, etc. are not all shown, however, the quantity used are listed in the text for that section which they fit into. That particular quantity is always the quantity required for one complete assembly.

Smaller parts, which are welded together to construct a larger part, are not to be ordered as individual pieces, unless they have a part number to identify them.

Contact your nearest dealer for genuine repair parts. Dealers carry ample stock and are backed by the manufacturer and regional associations.

MORRIS PAINT

Spray Cans:

Part Number	Description
W-4647	Red MORRIS Spray Can
W-4648	Blue MORRIS Spray Can
N31087	Sky White MORRIS Spray Can

Litre Cans:

Part Number	Description
Z-10	Red MORRIS Paint/Litre
Z-11	Blue MORRIS Paint/Litre

MANUALS

Part Number	Description
S39882	Operator's Manual
S39883	Assembly Manual

Table of Contents

Section 1:	
Frames & Hitching	1-1
Wing Lift Truss Assembly	1-2
Front and Rear Hitch Beam Assembly	1-4
Depth Control Stops - 40ft, 50ft &60ft	1-6
Wing Frame 40 ft Hitch Assembly	1-8
Inner Wing Frame 50 & 60 ft Hitch Assembly	1-10
Outer Wing Frame 50 & 60 ft Hitch Assembly	1-12
Hitch	1-14
Safety Chain Mounting - 2009	1-15
Wing Brace Turnbuckle	1-16
Frame Extension Stubs	1-17
Section 2:	
Wheels	2-1
Main Frame Wheels & Hubs	2-2
Wing Frame Wheels & Hubs	2-4
Section 3:	
Depth Control	3-1
Main Frame	3-2
Inner & Outer Wing Frames	3-4
Section 4:	
Wing Lift Assembly	4-1
40 ft Model - Prior to June 2005	4-2
40 ft Model	4-4
50 ft & 60 ft Models - Prior to June 2005	4-6
50 ft & 60 ft Models	4-8
Wing Valve - 40 ft Model - Prior to June 2005	4-10
Wing Valve - 40 ft Model - Prior to June 2005	4-11
Wing Valve - 40 ft, 50 ft & 60 ft Models	4-12
Wing Valve - 40 ft, 50 ft & 60 ft Models	4-13
Main Frame Valve - 40 ft, 50 ft & 60 ft Models	4-14
Main Frame Valve - 40 ft, 50 ft & 60 ft Models	4-15
Section 5:	
Trip Assembly	5-1
400 lb Spring Cushion	5-2
400HD Spring Cushion	5-4
550 lb Spring Cushion	5-6
550 lb Hydraulic Trip	5-8
Fertilizer Coulter Assembly	5-10
Fertilizer Coulter Sub-Assembly	5-12
Fertilizer Coulter - Optional Closing Wheel	5-14
Closing Wheel - Pincher Wheel	5-15

Table of Contents

Section 6:

Rocker Tube Assembly	6-1
40 ft - 7 1/2 Spacing	6-2
40 ft - 10 Spacing	6-3
40 ft - 12 Spacing	6-4
50 ft - 7 1/2 Spacing	6-5
50 ft - 10 Spacing - Prior to January 2006	6-6
50 ft - 10 Spacing	6-7
50 ft - 12 Spacing	6-8
60 ft - 7 1/2 Spacing	6-9
60 ft - 10 Spacing	6-10
60 ft - 12 Spacing	6-11

Section 7:

Equalizer Assembly	7-1
Equalizer Arms	7-2
Table 1 - Arm Mounting and Equalization Tube Length	7-2
Table 2 - Arm Mounting Bracket Requirements	7-3
Main Frame - 3 Packer Gang	7-4
Main Frame - 4 Packer Gang	7-6
Wing Frame - 2 Packer Gang	7-8
Wing Frame - 3 Packer Gang	7-10
Wing Frame - 4 Packer Gang	7-12
Turnbuckles	7-14
Control Arm Assembly	7-16

Section 8:

Packer Gangs	8-1
7.5 Spacing - 2 Steel Wheels	8-2
7.5 Spacing - 2 Rubber Wheels	8-4
7.5 Spacing - 3.5 Steel or Rubber Wheels	8-6
10 Spacing - 3.5 Steel or Rubber Wheels	8-8
10 Spacing - 4.5 Steel or Rubber Wheels	8-10
12 Spacing - 3.5 Steel or Rubber Wheels	8-12
12 Spacing - 4.5 Steel or Rubber Wheels	8-14
Mud Scrapers	8-16
Mud Scraper - Universal	8-17
Arm Assembly	8-18

Section 9:

Depth Control Hydraulics	9-1
40 ft Models - Internal Collars	9-2
40 ft Models	9-4
50 ft & 60 ft Models - Internal Collars	9-6
50 ft & 60 ft Models	9-8
Flow Divider	9-10

Section 10:

Wing Lift Hydraulics	10-1
40 ft Models - Prior to June 2005	10-2
40 ft Models - From June 2005 to May 2006	10-4
40 ft Models - From May 2006	10-6
50 ft & 60 ft Models - Prior to 2010	10-8
50 ft & 60 ft Models - From 2010	10-10

Table of Contents

Section 11:	
Hydraulic Cylinders	11-1
Depth Control	11-2
Wing Lift	11-6
Depth Stop Valve Assembly	11-11
Section 12:	
Distribution	12-1
Single Shoot Tow Behind	12-2
Single Shoot Tow Between	12-4
Dual Shoot Tow Behind	12-6
Dual Shoot Tow Between	12-8
Divider Head	12-10
Section 13:	
Hydraulic Trip System	13-1
550 lb Hydraulic Trip	13-2
Hitch Main Hydraulics	13-4
Main Frame Hydraulics - 10 Spacing	13-6
Main Frame Hydraulics - 12 Spacing	13-7
40ft and 60 ft Inner Wing Hydraulics - 10 Spacing	13-8
40ft and 60 ft Inner Wing Hydraulics - 12 Spacing	13-9
60 ft Outer Wing Hydraulics - 10 Spacing	13-10
60 ft Outer Wing Hydraulics - 12 Spacing	13-11
50 ft Inner Wing Hydraulics - 10 Spacing	13-12
50 ft Inner Wing Hydraulics - 12 Spacing	13-13
50 ft Outer Wing Hydraulics - 10 Spacing	13-14
50 ft Outer Wing Hydraulics - 12 Spacing	13-15
Digital Gauge	13-16
Section 14:	
Options	14-1
NH3 Hitch	14-2
Quad Steer Hitch Assembly	14-4
Main Frame Bump Stop Kit	14-6
Remote Clutch Switch	14-7
Section 15:	
Lighting & Decals	15-1
Safety Lights	15-2
Decal Locations	15-4
40 ft Model	15-4
50 and 60 ft Models	15-5
Index	Index-i

Table of Contents

Notes

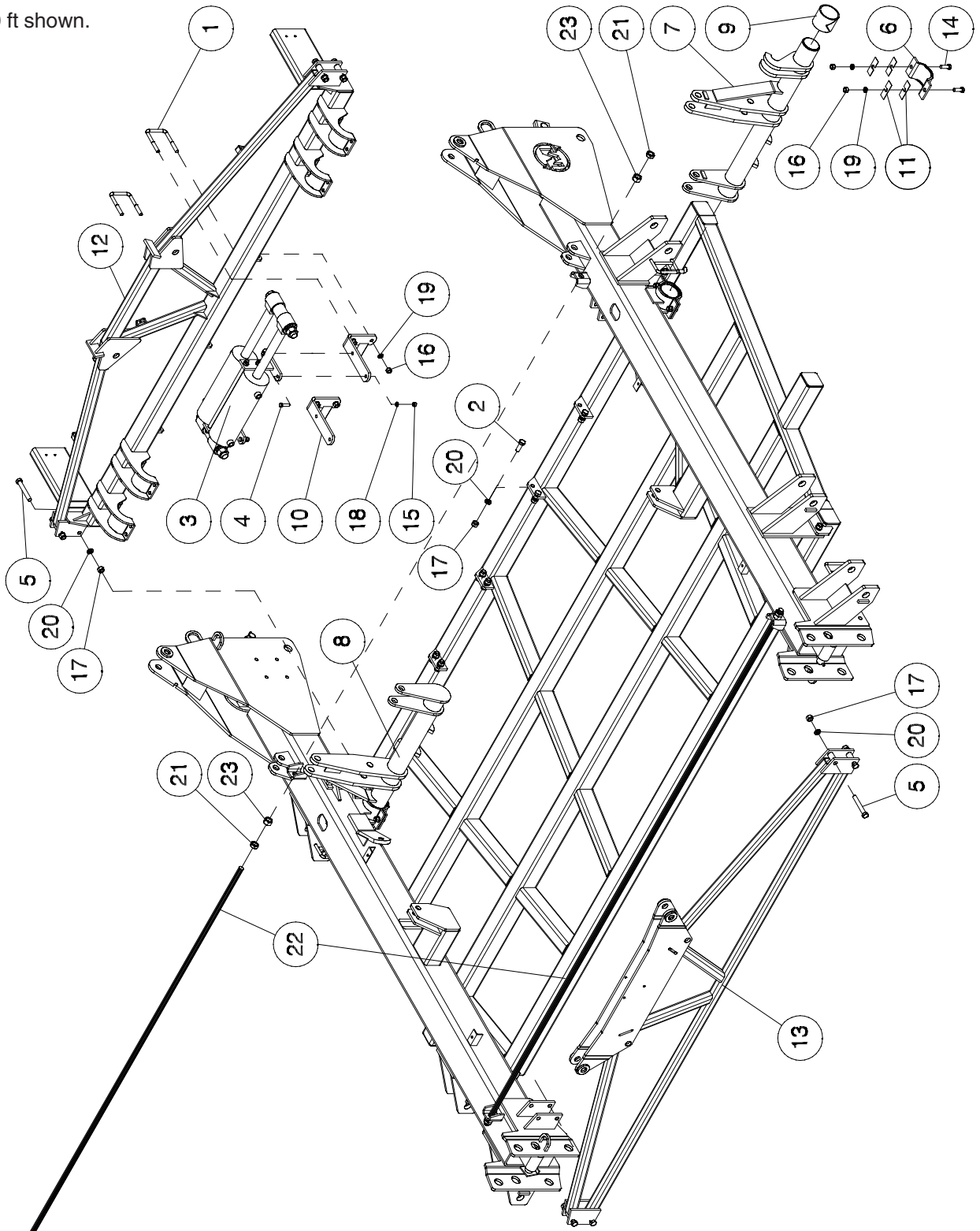
Section 1: Frames & Hitching

Section Contents

Wing Lift Truss Assembly	1-2
Front and Rear Hitch Beam Assembly	1-4
Depth Control Stops - 40ft, 50ft &60ft	1-6
Wing Frame 40 ft Hitch Assembly	1-8
Inner Wing Frame 50 & 60 ft Hitch Assembly	1-10
Outer Wing Frame 50 & 60 ft Hitch Assembly	1-12
Hitch	1-14
Safety Chain Mounting - 2009	1-15
Wing Brace Turnbuckle	1-16
Frame Extension Stubs	1-17

Frames & Hitching Wing Lift Truss Assembly

50 & 60 ft shown.

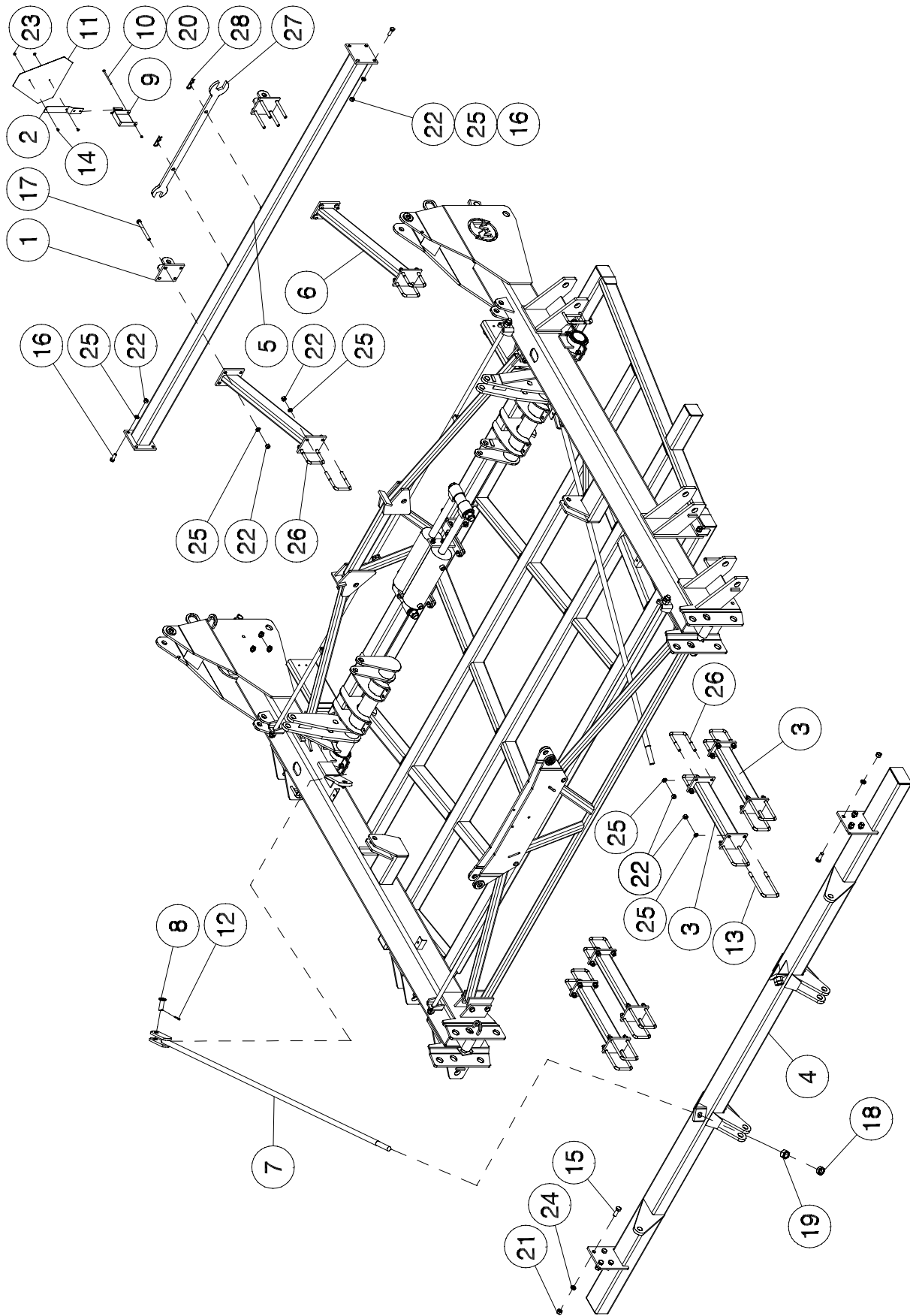


Note: Refer 1-6 & 1-7 for Depth Control Stop Linkage

Frames & Hitching - Wing Lift Truss Assembly

Item	Part No.	Description	Qty
1	C-219	U-Bolt - 5/8 Dia x 4 x 5 9/16 Lg	2
2	C-695	Hex Bolt - 3/4 x 2 Lg	8
3	C39445	Flow Divider Assembly	1
4	S-1189	Hex Bolt - 1/2 x 1 3/4 Lg	4
5	S-1191	Hex Bolt - 3/4 x 5 Lg	8
6	S39135	Clamp Strap - Torque Tube	4
7	S39222	Torque Tube - Lt Main	1
8	S39223	Torque Tube - Rt Main	1
9	S39275	Nylon Bearing Strap	4
10	S39331	Flow Divider Mounting Bracket	2
11	S39365	Shim - Torque Tube	16
12	S39447	Wing Lift Truss - Rear - 50ft and 60 ft	1
	S39928	Wing Lift Truss - Rear - 40ft (Not Shown)	1
13	S39929	Wing Lift Truss - Front	1
14	W-498	Hex Bolt - 5/8 x 1-3/4 Lg	8
15	W-516	Hex Nut - 1/2	4
16	W-517	Hex Nut - 5/8	12
17	W-518	Hex Nut - 3/4	16
18	W-525	Lockwasher - 1/2	4
19	W-526	Lockwasher - 5/8	12
20	W-527	Lockwasher - 3/4	16
21	S-711	Hex Jam Nut - 1	4
22	S44270	Truss Rod	2
23	W-520	Hex Nut - 1	4

Frames & Hitching Front and Rear Hitch Beam Assembly

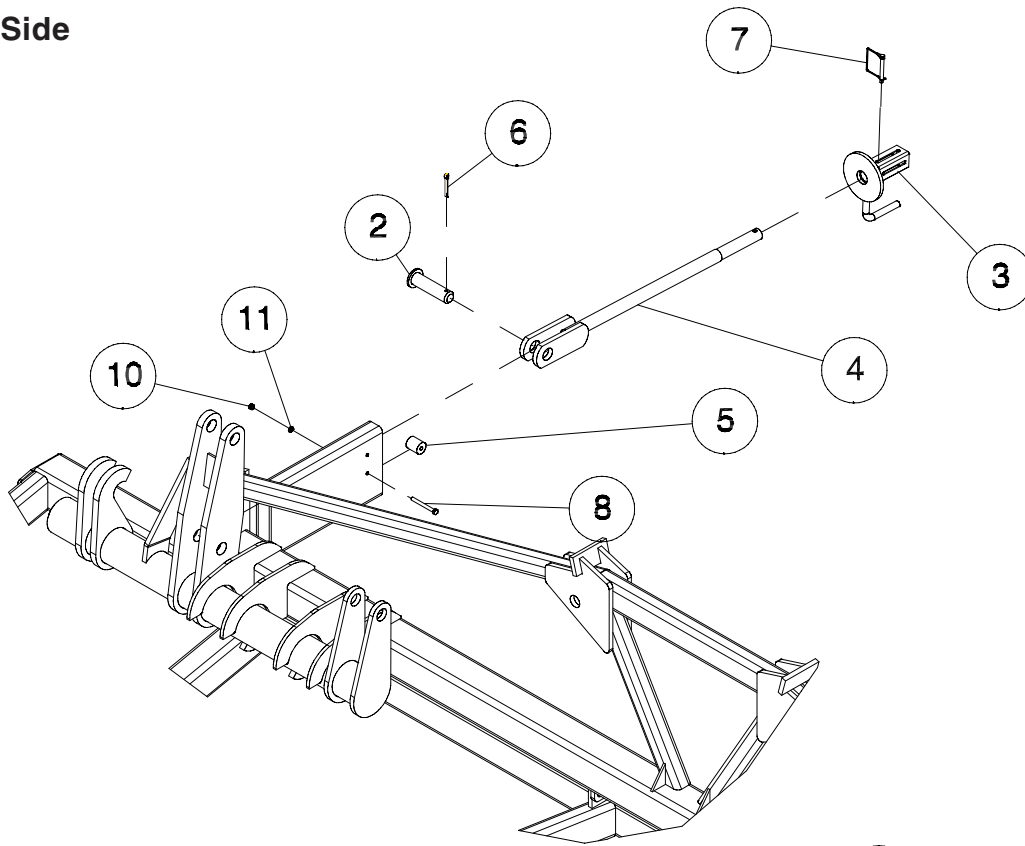


Frames & Hitching - Front and Rear Hitch Beam Assembly

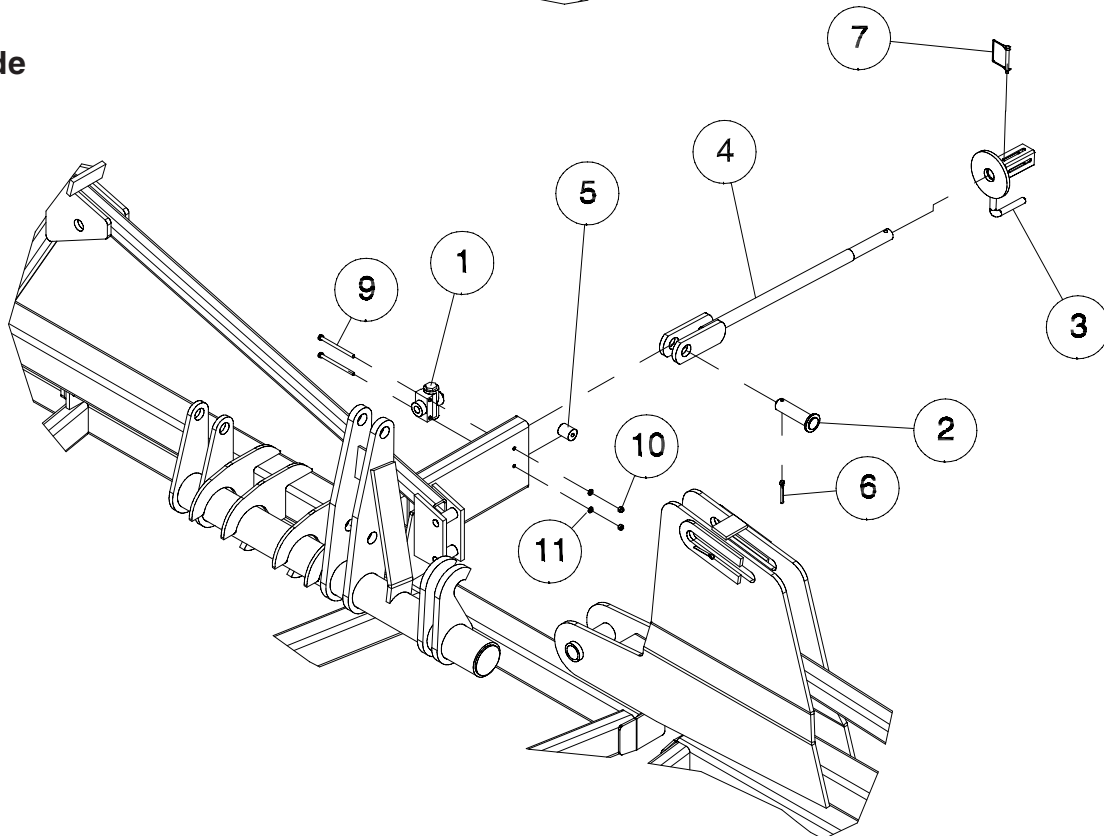
Item	Part No.	Description	Qty
1	N19203	Mounting Bracket	2
2	N34643	Spade Mount Smv	1
3	S39033	Tube Brace - 40 ft	2
	S39033	Tube Brace - 50 ft and 60 ft	4
4	S39169	Hitch Beam Main	1
5	S39316	Rear Hitch Bar	1
6	S39350	Brace Tube	2
7	S39691	Tie Rod	2
8	W-558	Pin - 1 Dia x 2 1/4 UL	2
9	W-1598	Sign Clamp Bracket	1
10	W-1599	Hex Bolt - 1/4 x 4 1/2 Lg	1
11	N34475	Slow Moving Vehicle Emblem	1
12	W-535	Cotter Pin - 1/4 x 1 1/2 Lg	3
13	S39649	U-Bolt - 5/8 x 4 x 7 3/4 - 40 ft	4
	S39649	U-Bolt - 5/8 x 4 x 7 3/4 - 50 ft and 60 ft	8
14	K-3830	Hex Bolt - 1/4 x 1/2 Lg	2
15	C-695	Hex Bolt - 3/4 x 2 Lg	12
16	W-498	Hex Bolt - 5/8 x 1 3/4 Lg	8
17	C-507	Hex Bolt - 5/8 x 6 Lg	8
18	C15768	Hex Jam Nut - 1 1/4	2
19	P61D20	Hex Nut - 1 1/4	2
20	W-512	Hex Nut - 1/4	1
21	W-518	Hex Nut - 3/4	20
22	W-517	Hex Nut - 5/8 - 40 ft	40
	W-517	Hex Nut - 5/8 - 50 ft and 60 ft	56
23	N22778	Locknut 1/4 Nylon Insert	2
24	W-527	Lockwasher - 3/4	20
25	W-526	Lockwasher - 5/8 - 40 ft	40
	W-526	Lockwasher - 5/8 - 50 ft and 60 ft	56
26	C-219	U-Bolt - 5/8 x 4 x 5 9/16 - 40 ft	10
	C-219	U-Bolt - 5/8 x 4 x 5 9/16 - 50 ft and 60 ft	14
27	S39768	Adjustment Wrench	1
28	BW-11	Hairpin - 3/16	2

Frames & Hitching Depth Control Stops - 40ft, 50ft & 60ft

Right Side



Left Side

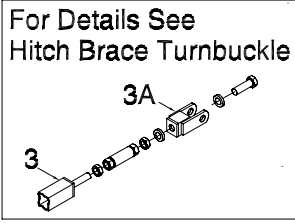
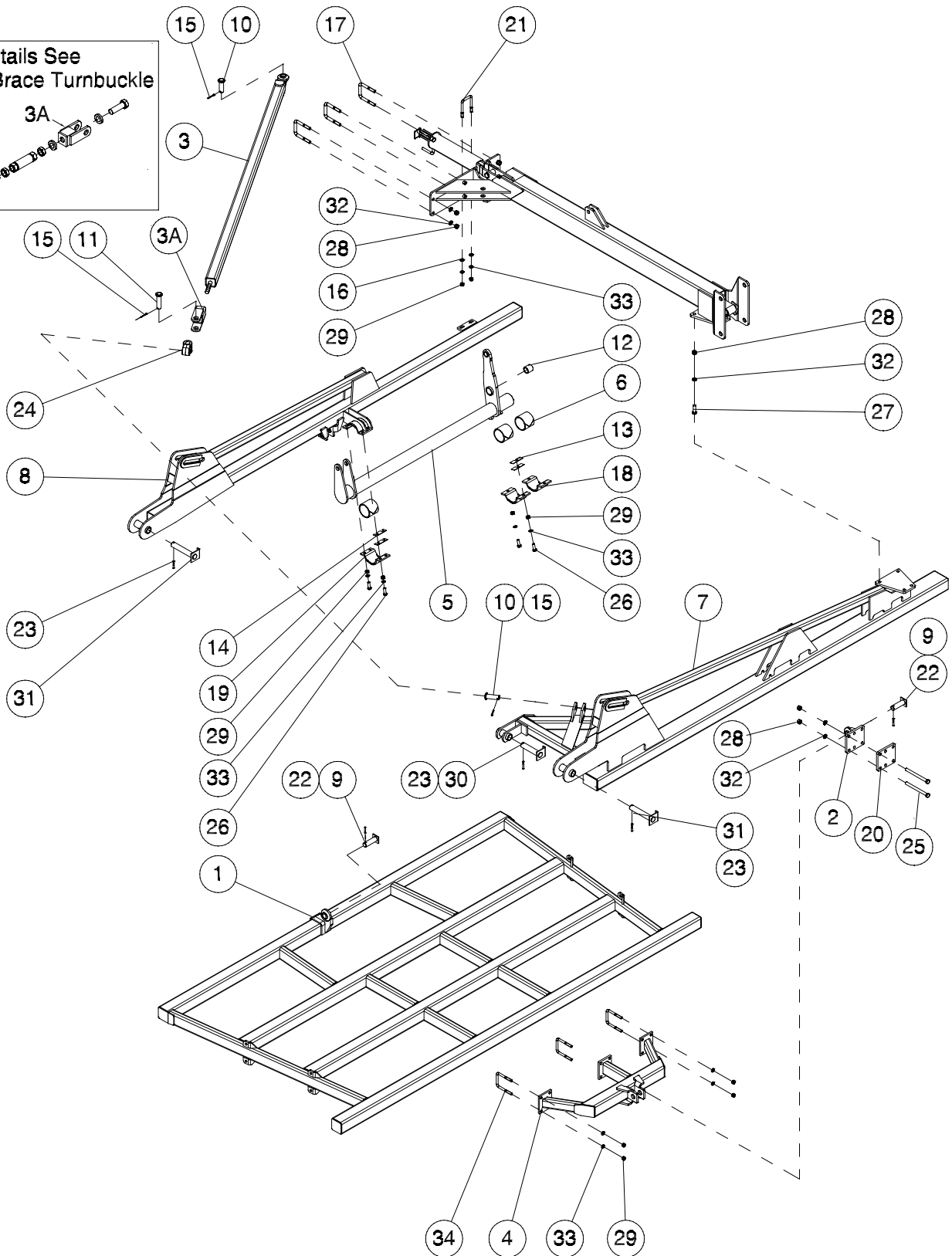


Frames & Hitching - Depth Control Stops - 40ft, 50ft &60ft

Item	Part No.	Description	Qty
1	C28501	Depth Stop Valve	1
2	N19368	Pin - 1 1/4 Pin x 4 UL	2
3	S39086	Depth Control Nut	4-6
4	S39151	Depth Adjustment Rod - Main	2
5	S39520	Roller - Depth Rod	2
6	W-4181	Cotter Pin - 1/4 x 2 Lg.....	2
7	C13447	5/16 Quick Pin	4-6
8	S-1302	Hex Bolt - 5/16 x 2 1/2 Lg	1
9	C26820	Hex Bolt - 5/16 x 4 1/2 Lg	2
10	W-513	Hex Nut - 5/16	3
11	W-522	Lockwasher - 5/16	3

Frames & Hitching Wing Frame 40 ft Hitch Assembly

For Details See
Hitch Brace Turnbuckle
3A

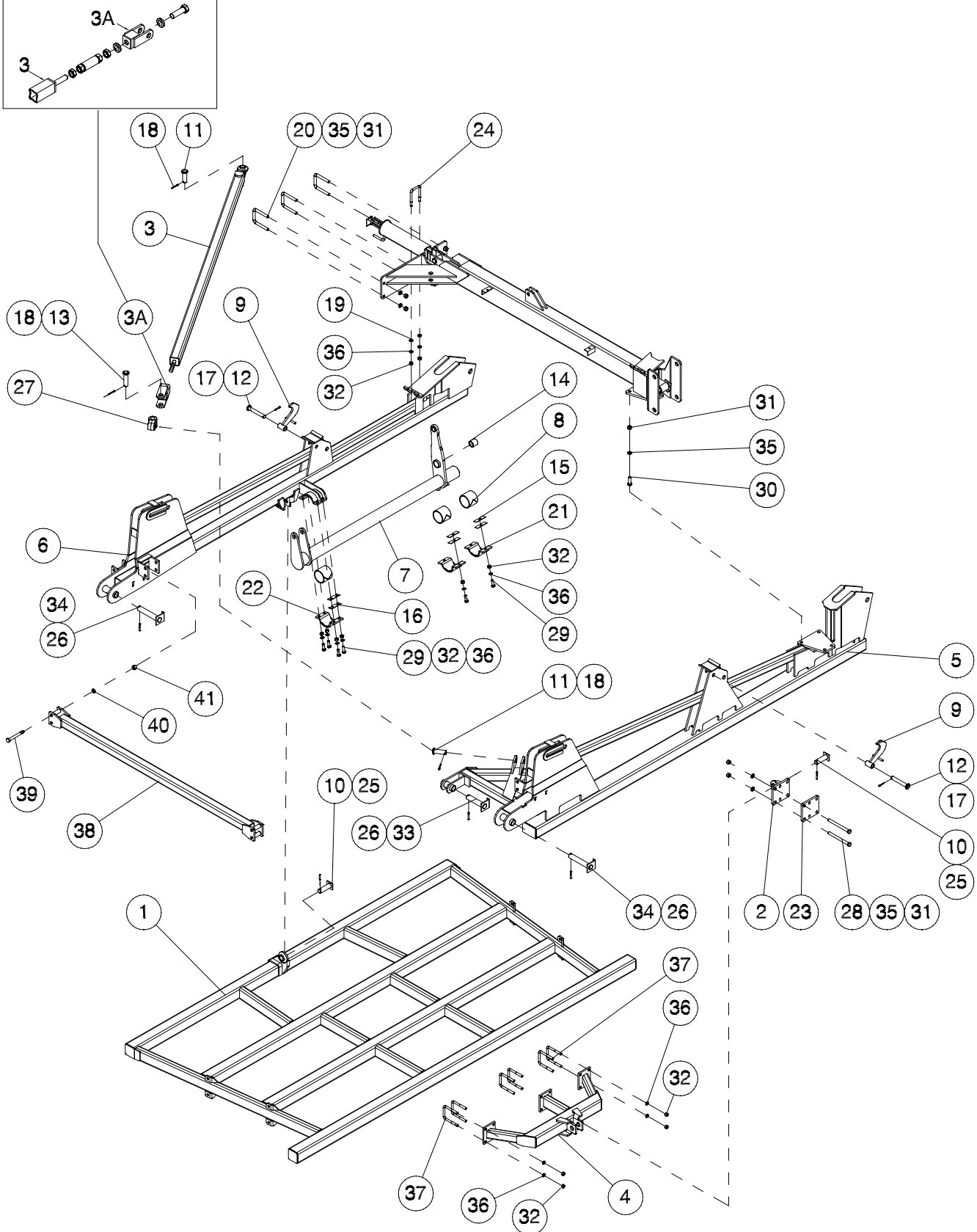



Frames & Hitching - Wing Frame 40 ft Hitch Assembly

Item	Part No.	Description	Qty
1	S39020	Wing Frame - LH Inner	1
	S39280	Wing Frame - RH Inner	1
2	S39056	Plate Frame Pivot	1
3	S44021	Wing Brace Inner - (See "Wing Brace Turnbuckle" for more details, Pg. 1-11)	1
3A	*****	Wing Brace Clevis - (See "Wing Brace Turnbuckle" for more details, Pg. 1-11)	1
4	S39075	Pull Truss Inner Wing	1
5	S39224	Torque Tube Primary	1
6	S39275	Nylon Bearing Strap	3
7	S39400	Wing Carrier Beam 40 ft - LH Front	1
	S39402	Wing Carrier Beam 40 ft - RH Front	1
8	S39407	Wing Carrier Beam 40 ft - LH Rear	1
	S39408	Wing Carrier Beam 40 ft - RH Rear	1
9	S39533	Pin - 1 3/8 Dia x 3 7/8 UL	2
10	C26617	Pin - 1 1/4 Dia x 3 1/4 UL	2
11	N28994	Pin - 1 1/4 Dia x 4 1/4 UL	1
12	S39207	Polygon Bushing - 1.504 ID x 2.0025 OD x 1.875 LG	1
13	S39365	Shim Torque Tube - Single Hole	4
14	S39360	Shim Torque Tube - Double Hole	2
15	W-4181	Cotter Pin - 1/4 x 2 Lg	3
16	W-793	Washer - 0.641 ID x 1.125 OD x 0.188 Thick	2
17	C-5561	U-Bolt - 3/4 x 4 x 5 9/16	3
18	S39135	Clamp Strap Torque Tube - Single Hole	2
19	S39140	Clamp Strap Torque Tube - Double Hole	1
20	S39055	Plate Mounting	1
21	F-4543	U-Bolt - 5/8 x 3 1/16 x 5 3/8	1
22	J12281	Spiral Pin - 5/16 x 2 Lg	2
23	T-5245	Spiral Pin - 3/8 x 2 1/2 Lg	4
24	S39335	Cast Pivot Knuckle	1
25	N11621	Hex Bolt - 3/4 x 8 1/2 Lg	6
26	W-498	Hex Bolt - 5/8 x 1 3/4 Lg	8
27	W-1553	Hex Bolt - 3/4 x 2 1/4 Lg	4
28	W-518	Hex Nut - 3/4	16
29	W-517	Hex Nut - 5/8	22
30	N33814	Pin - 1 1/2 Dia x 6 3/8 UL	1
31	S39361	Pin - 1 1/2 Dia x 8 UL	2
32	W-527	Lockwasher - 3/4	16
33	W-526	Lockwasher - 5/8	22
34	C-219	U-Bolt - 5/8 x 4 x 5 9/16	6

Frames & Hitching Inner Wing Frame 50 & 60 ft Hitch Assembly

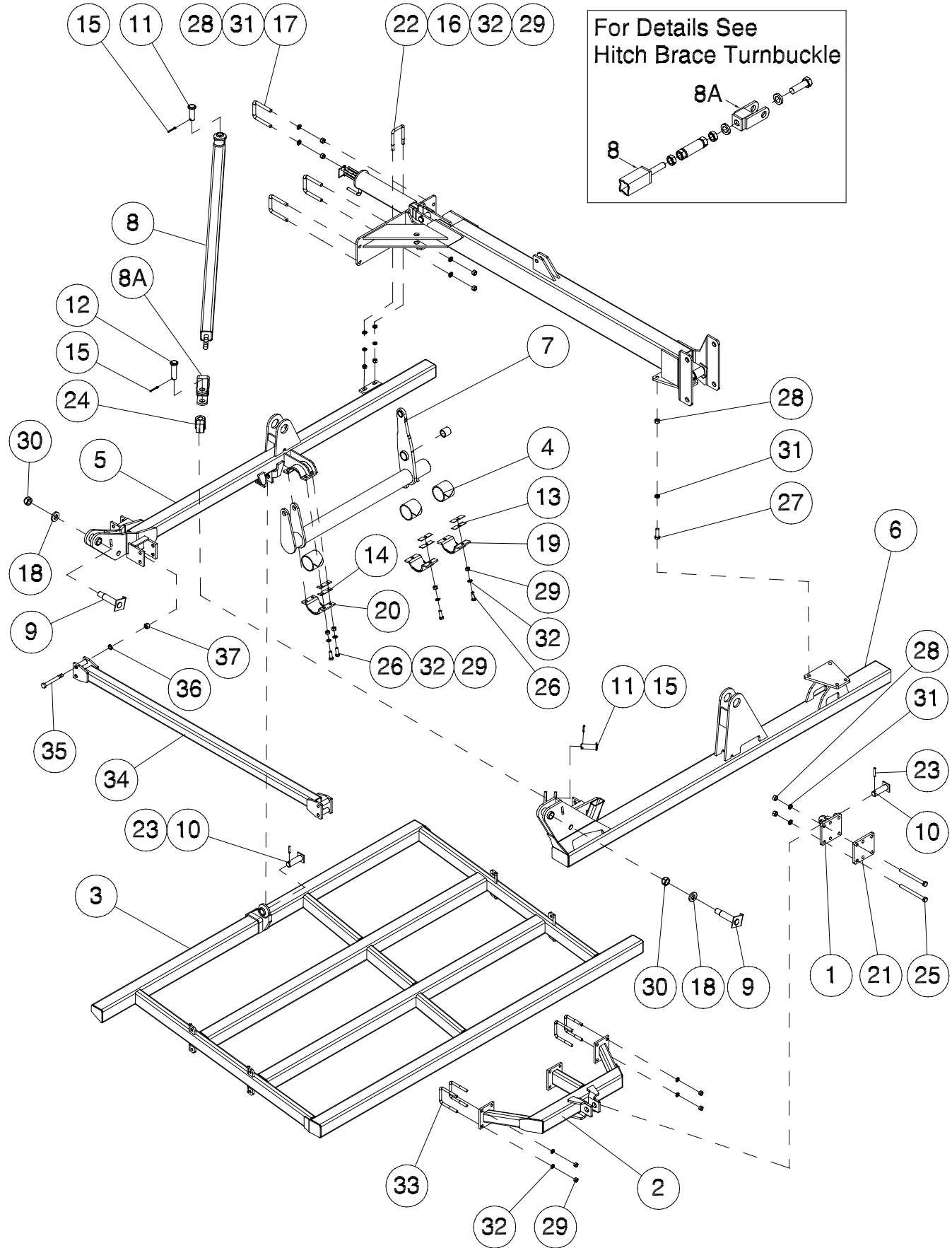
For Details See
Hitch Brace Turnbuckle



Frames & Hitching - Inner Wing Frame 50 & 60 ft Hitch Assembly

Item	Part No.	Description	Qty
1	S39596	Wing Frame 50 ft - LH Inner	1
	S39597	Wing Frame 50 ft - RH Inner	1
	S39020	Wing Frame 60 ft - LH Inner	1
	S39280	Wing Frame 60 ft - RH Inner	1
2	S39056	Plate Frame Pivot	1
3	S44023	Wing Brace 50 ft - Inner - (See "Wing Brace Turnbuckle" for more details)	1
	S44021	Wing Brace 60 ft - Inner - (See "Wing Brace Turnbuckle" for more details)	1
3A	S44020	Wing Brace Clevis - (See "Wing Brace Turnbuckle" for more details)	1
4	S39686	Pull Truss 50 ft - Inner Wing	1
	S39075	Pull Truss 60 ft - Inner Wing	1
5	S47129	Wing Carrier Beam - Left Inner Front - 50'	1
	S47130	Wing Carrier Beam - Right Inner Front - 50'	1
	S47117	Wing Carrier Beam - Left Inner Front - 60'	1
	S47096	Wing Carrier Beam - Right Inner Front - 60'	1
6	S47131	Carrier Beam - Left Inner Rear - 50'	1
	S47132	Carrier Beam - Right Inner Rear - 50'	1
	S47106	Carrier Beam - Left Inner Rear - 60'	1
	S47097	Carrier Beam - Right Inner Rear - 60'	1
7	S39677	Torque Tube 50 ft - Primary	1
	S39224	Torque Tube 60 ft - Primary	1
8	S39275	Nylon Bearing Strap	3
9	S39443	Transport Gravity Lock Hook (Rear Only For 50 ft)	2
10	S39533	Pin - 1 3/8 Dia x 3 7/8 UL	2
11	C26617	Pin - 1 1/4 Dia x 3 1/4 UL	2
12	C26844	Pin - 1 Dia x 6 1/8 UL	2
13	N28994	Pin - 1 1/4 Dia x 4 1/4 UL	1
14	S39207	Polygon Bushing - 1.504 ID x 2.0025 OD x 1.875 LG	1
15	S39365	Shim Torque Tube - Single Hole	4
16	S39360	Shim Torque Tube - Double Holes	2
17	W-535	Cotter Pin - 1/4 x 1 1/2 Lg	2
18	W-4181	Cotter Pin - 1/4 x 2 Lg	3
19	W-793	Washer - 0.641 ID x 1.125 O.D. x 0.188	2
20	C-5561	U-Bolt - 3/4 x 4 x 5 9/16	3
21	S39135	Clamp Strap - Torque Tube - Single Hole	2
22	S39140	Clamp Strap - Torque Tube - Double Holes	1
23	S39055	Plate Mounting	1
24	F-4543	U-Bolt - 5/8 x 3 1/16 x 5 3/8	1
25	J12281	Spiral Pin - 5/16 x 2 Lg	2
26	T-5245	Spiral Pin - 3/8 x 2 1/2 Lg	4
27	S39335	Cast Pivot Knuckle	1
28	N11621	Hex Bolt - 3/4 x 8 1/2 Lg	6
29	W-498	Hex Bolt - 5/8 x 1 3/4 Lg	8
30	W-1553	Hex Bolt - 3/4 x 2 1/4 Lg	4
31	W-518	Hex Nut - 3/4	16
32	W-517	Hex Nut - 5/8	22
33	N33814	Pin - 1 1/2 Dia x 6 3/8 UL	1
34	S39361	Pin - 1 1/2 Dia x 8 UL	2
35	W-527	Lockwasher - 3/4	16
36	W-526	Lockwasher - 5/8	22
37	C-219	U-Bolt - 5/8 x 4 x 5 9/16	6
38	S47119	Hinge Spacer Tube	1
39	D-5558	Hex Bolt - 3/4 x 6 Lg	4
40	W-527	Lockwasher - 3/4	4
41	W-518	Hex Nut - 3/4	4

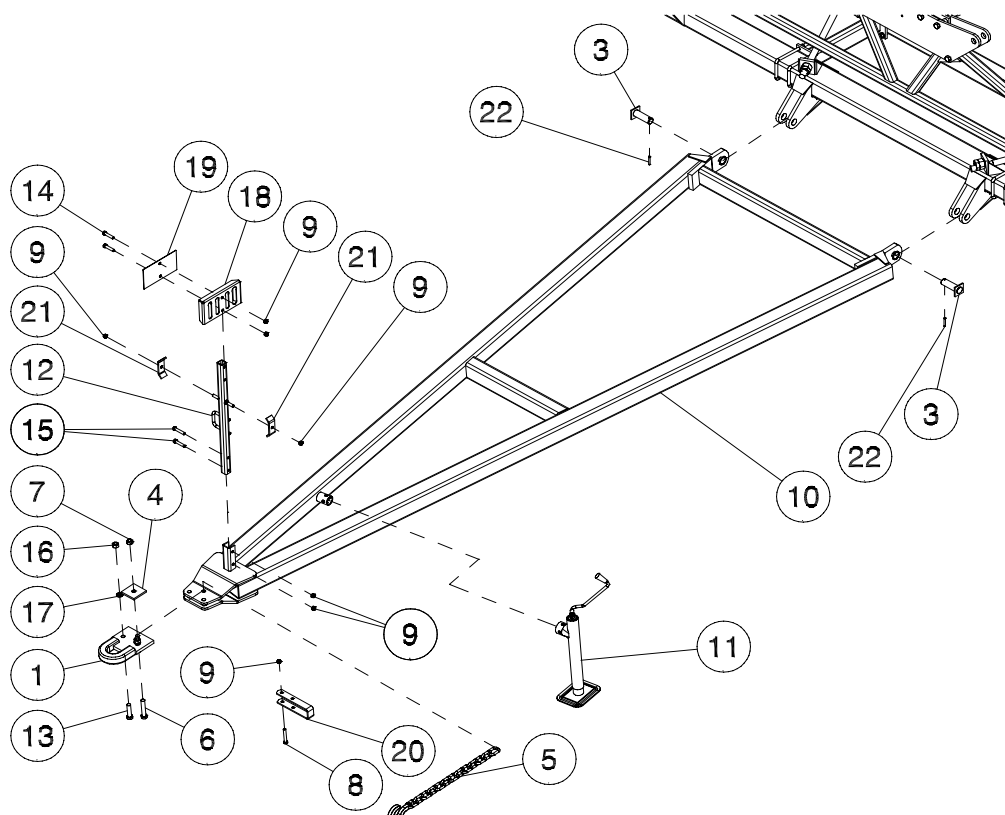
Frames & Hitching Outer Wing Frame 50 & 60 ft Hitch Assembly



Frames & Hitching - Outer Wing Frame 50 & 60 ft Hitch Assembly

Item	Part No.	Description	Qty
1	S39056	Plate Frame Pivot	1
2	S39686	Pull Truss - 50 ft.....	1
	S39075	Pull Truss - 60 ft.....	1
3	S39598	Wing Frame - 50 ft LH Outer	1
	S39599	Wing Frame - 50 ft RH Outer.....	1
	S39185	Wing Frame - 60 ft LH Outer	1
	S39190	Wing Frame - 60 ft RH Outer.....	1
4	S39275	Nylon Bearing Strap.....	3
5	S47135	Wing Carrier Beam - Left Rear Outer - 50'	1
	S47136	Wing Carrier Beam - Right Rear Outer - 50'	1
	S47088	Wing Carrier Beam - Left Rear Outer - 60'	1
	S47099	Wing Carrier Beam - Right Rear Outer - 60'	1
6	S47133	Wing Carrier Beam - Left Front Outer - 50'	1
	S47134	Wing Carrier Beam - Right Front Outer - 50'	1
	S47086	Wing Carrier Beam - Left Front Outer - 60'	1
	S47098	Wing Carrier Beam - Right Front Outer - 60'	1
7	S39304	Torque Tube Primary	1
8	S44024	Outer Wing Brace - 50 ft - (See "Wing Brace Turnbuckle" for more details, Pg. 1-11)	1
	S44022	Outer Wing Brace - 60 ft - (See "Wing Brace Turnbuckle" for more details, Pg. 1-11)	1
8A	*****	Wing Brace Clevis - (See "Wing Brace Turnbuckle" for more details, P.g 1-11)	1
9	S39358	Pin - 1 1/2 Dia x 5 1/16 UL	2
10	S39533	Pin - 1 3/8 Dia x 3 7/8 UL	2
11	C26617	Pin - 1 1/4 Dia x 3 1/4 UL	2
12	N28994	Pin - 1 1/4 Dia x 4 1/4 UL	1
13	S39365	Shim Torque Tube - Single Hole	4
14	S39360	Shim Torque Tube - Double Holes	2
15	W-4181	Cotter Pin - 1/4 x 2 Lg	3
16	W-793	Flatwasher - 0.640 ID x 1.125 OD x 0.187	2
17	C-5561	U-Bolt - 3/4 x 4 x 5 9/16	3
18	S26462	Spacer Washer - 1.25 ID x 2 OD x 3/8	2
19	S39135	Clamp Strap Torque Tube - Single Hole	2
20	S39140	Clamp Strap Torque Tube - Double Holes	1
21	S39055	Plate Mounting	1
22	F-4543	U-Bolt - 5/8 x 3 1/16 x 5 3/8	1
23	J12281	Spiral Pin - 5/16 x 2 Lg	2
24	S39335	Cast Pivot Knuckle	1
25	N11621	Hex Bolt - 3/4 x 8 1/2 Lg	6
26	W-498	Hex Bolt - 5/8 x 1 3/4 Lg	8
27	W-1553	Hex Bolt - 3/4 x 2 1/4 Lg	4
28	W-518	Hex Nut - 3/4	16
29	W-517	Hex Nut - 5/8	22
30	S39780	Locknut - 1 1/4 Unitorque	2
31	W-527	Lockwasher - 3/4	16
32	W-526	Lockwasher - 5/8	22
33	C-219	U-Bolt - 5/8 x 4 x 5 9/16	6
34	S47119	Hinge Spacer Tube	1
35	D-5558	Hex Bolt - 3/4 x 6 Lg	4
36	W-527	Lockwasher - 3/4	4
37	W-518	Hex Nut - 3/4	4

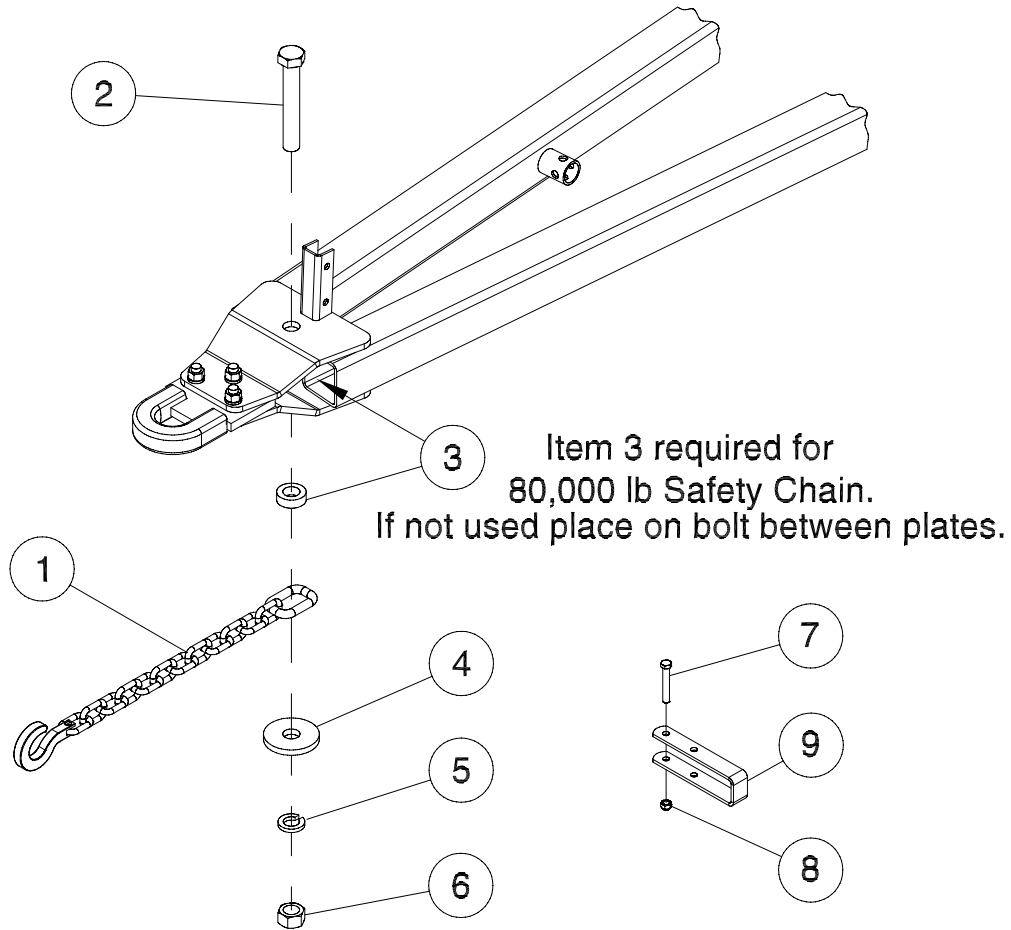
Frames & Hitching Hitch



See next page for 2009 Safety Chain Mounting.

Item	Part No.	Description	Qty
1	C-4438	Clevis	1
2	C-5831	Hitch Jack	1
3	C18531	Pin - 1 3/8 Dia x 3 5/8 UL	2
4	C18757	Retaining Plate	1
5	C18761	Safety Chain - 40,000 lb	1
6	D-5256	Hex Bolt - 3/4 x 4 Lg.....	1
7	D-5273	Locknut - 3/4	1
8	D-5519	Bolt - 1/2 x 3 1/4 Lg	1
9	F-3405	Locknut - 1/2	7
10	N33600	Hitch	1
11	S39391	Top Crank Wind Jack - 2,000 lb	1
12	S39665	Hose Holder	1
13	W-63	Bolt - 3/4 x 3 Lg	2
14	W-489	Bolt - 1/2 x 2 1/4 Lg	2
15	W-490	Bolt - 1/2 x 2 1/2 Lg	2
16	W-518	Nut - 3/4	2
17	W-527	Lockwasher - 3/4	2
18	S39666	Plate	1
19	S39669	Back Plate	1
20	C18758	Safety Chain Intermediate Support	1
21	C26321	Hose Holder Clamp	2
22	J12281	Spiral Pin - 5/16 x 2	2

Hitching Safety Chain Mounting - 2009

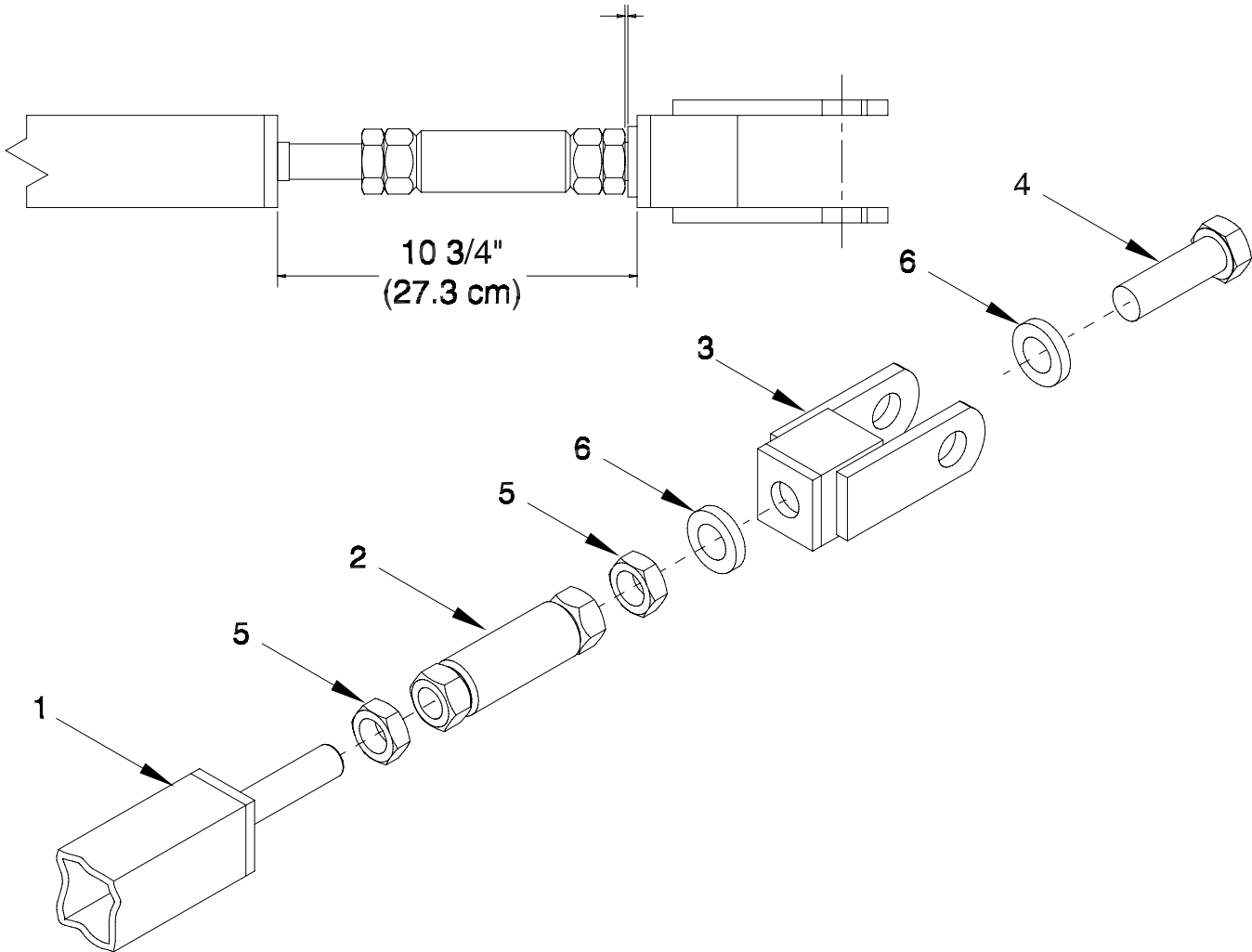


Item	Part No.	Description	Qty
1	C18761	Safety Chain - 40,000 lb	1
	N44710	Safety Chain - 80,000 lb - Use with a Tow Behind Air Cart.	
2	S44715	Hex Bolt - 1 1/4 x 8 Lg	1
3	S44717	Chain Link Spacer - 1 5/16 ID x 2 1/4 OD x 3/4 Thick - Required for 80,000 lb Chain.	1
4	S44716	Retaining Washer - 1 5/16 ID x 4 1/4 OD x 1/2 Thick	1
5	C39432	Lockwasher - 1 1/4	1
6	P61D20	Hex Nut - 1 1/4	1
7	D-5519	Hex Bolt - 1/2 x 3 1/4 Lg	1
8	F-3405	Locknut - 1/2 Unitorque	1
9	C18758	Safety Chain Support	1

Frames & Hitching Wing Brace Turnbuckle

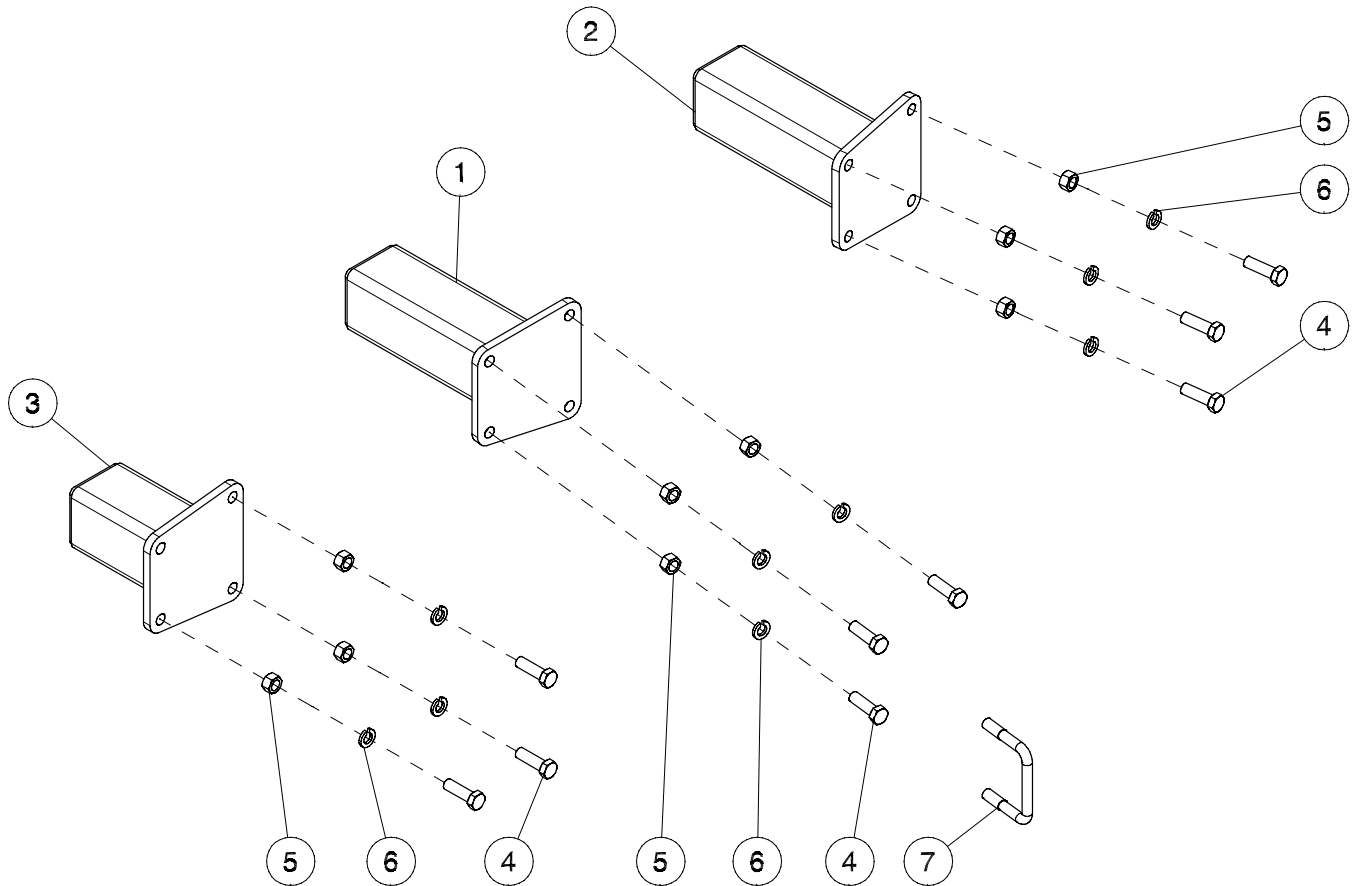
1/16" (1.6 mm) MAXIMUM GAP

**NOTE: ITEM #3 MUST TURN FREELY WHEN ASSEMBLING
BOLT #4 AND LOCKING WITH JAM NUT #5.**



Item	Part No.	Description	Qty
1	*****	Wing Brace	1
2	S39132	Turnbuckle Body - Short	1
3	S44020	Brace Clevis	1
4	S39754	Hex Bolt - 1 1/4 x 4 Lg	1
5	C15768	Jam Nut - 1 1/14	2
6	S26462	Washer - 1 9/32 ID x 2 1/2 OD x 3/8 Thick	2

Frames & Hitching Frame Extension Stubs



Item	Part No.	Description	Qty
1	S39063	Extension Stub - 12 1/8 Lg - 40 ft, 50 ft & 60 ft	1
2	S39709	Extension Stub Rear - 12 1/8 Lg - 50 ft Only	1
3	S39860	Straight Extension Stub - 7 1/8 Lg - 50 ft Only	1
4	W-499	Hex Head Bolt - 5/8 x 2	12
5	W-517	Hex Nut - 5/8	12
6	W-526	Lockwasher - 5/8	12
7	C-4569	U-Bolt - 5/8 x 4 1/32 x 3 1/4	1

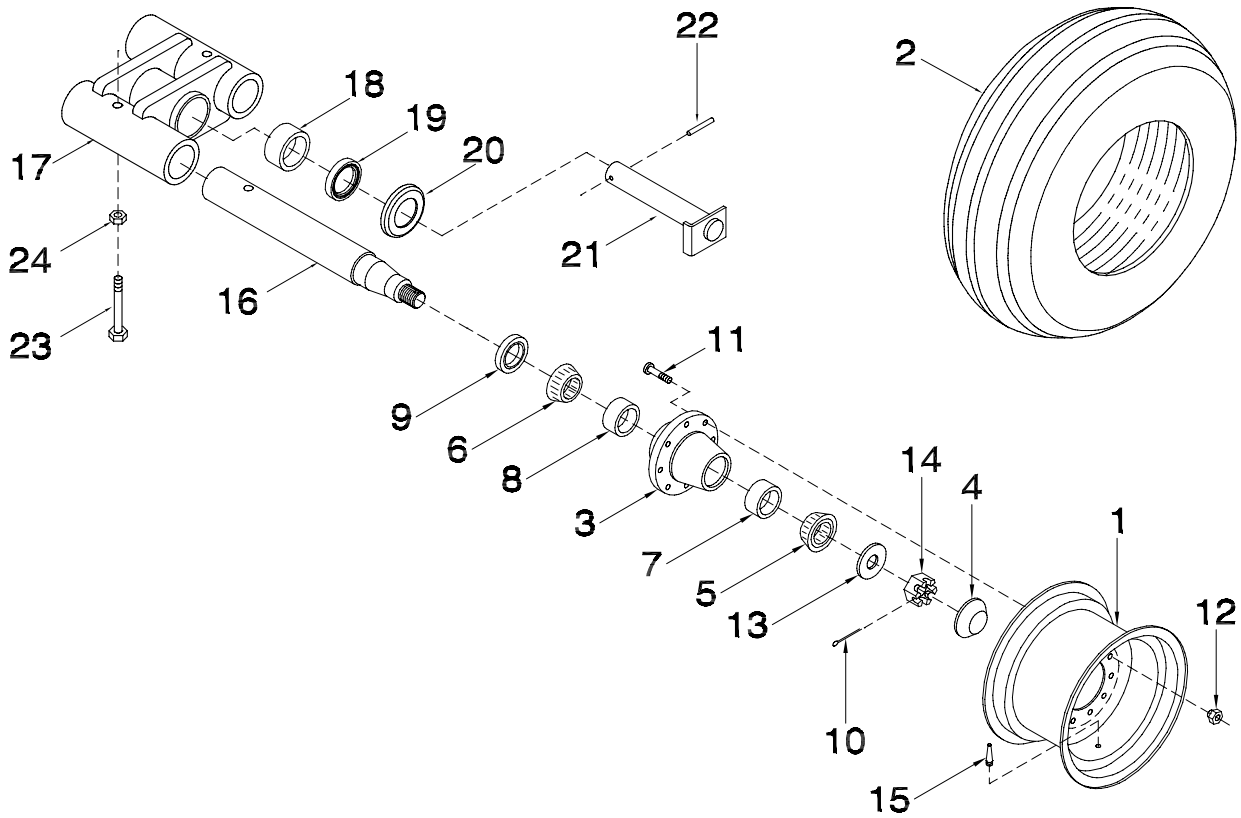
Section 2: Wheels

Section Contents

Main Frame Wheels & Hubs	2-2
Wing Frame Wheels & Hubs	2-4

Wheels

Main Frame Wheels & Hubs

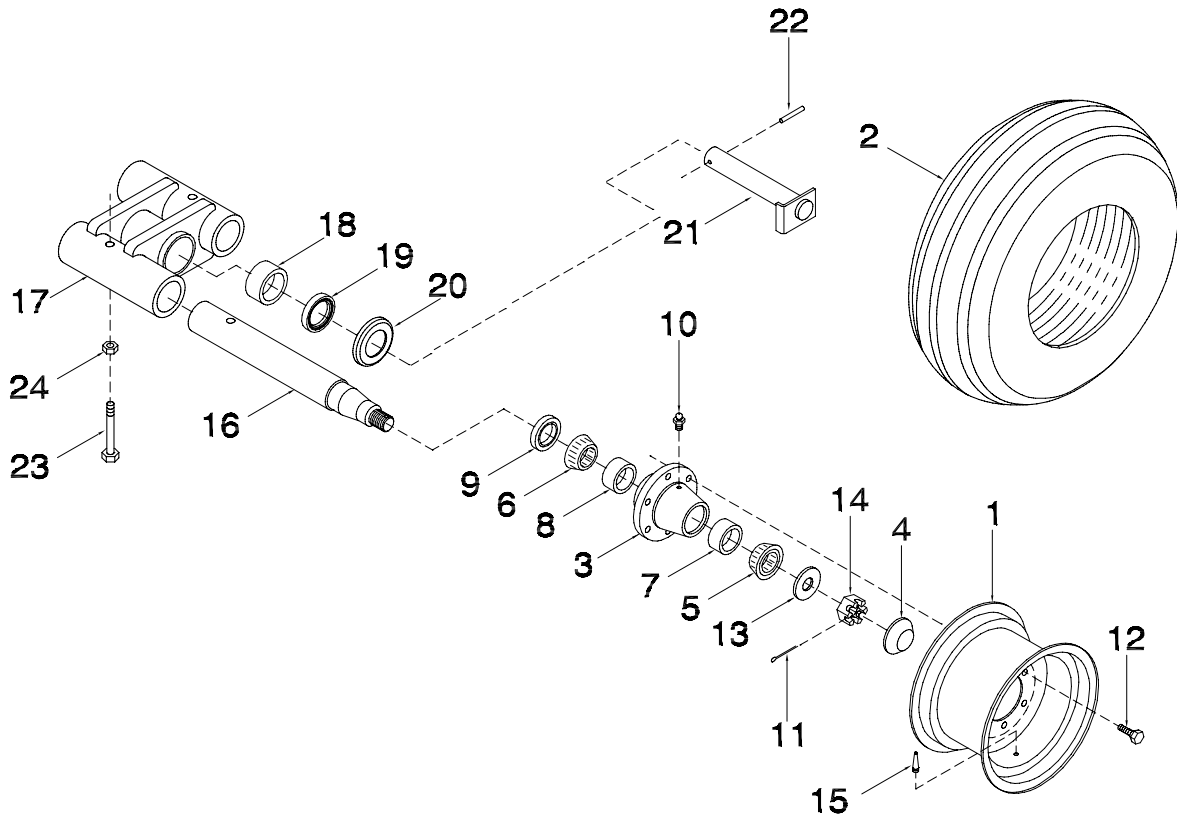


Wheels - Main Frame Wheels & Hubs

Item	Part No.	Description	Qty
1	C17355	Rim - 15 x 10 - 8 Bolt.....	8
2	C26840	Tire - 12.5 x 15FI - Load Range F	8
3	N19173	Hub (Includes Items 7, 8 & 11)	8
4	N19171	Dust Cap	8
5	N19170	Outer Wheel Bearing	8
6	N19169	Inner Wheel Bearing	8
7	N19168	Outer Bearing Cup	8
8	N19167	Inner Bearing Cup	8
9	N19172	Seal	8
10	D-5239	Cotter Pin - 1/4 x 2 1/4	8
11	N19727	Wheel Stud - 5/8 x 18 UNF x 2 1/2	48
12	N19586	Wheel Nut - 5/8	48
13	N13962	Flatwasher	8
14	N19484	Castle Nut - 1 1/4	8
15	C17348	Valve Stem - TR-416	8
16	S32556	Spindle - 2 1/2 Dia	8
17	S39991	Axle Bracket - Offset - 2 1/2 Spindle (Includes items 18 & 19)	4
18	C26086	Bearing - Garlock - 1 3/4 OD x 1 1/2 Lg	8
19	C26266	Dust Seal - 2.254 OD x 0.266 Thick.....	8
20	C26082	Washer - Formed - 1 3/4 ID	8
21	C26085	Pin - Walking Beam Pivot - 1 3/4 x 6 5/8 UL	4
22	T-5245	Spiral Pin - 3/8 x 2 1/2	4
23	W-495	Hex Bolt - 1/2 x 4 Lg.....	8
24	F-3405	Locknut - 1/2 Unitorque	8

Wheels

Wing Frame Wheels & Hubs



Wheels - Wing Frame Wheels & Hubs

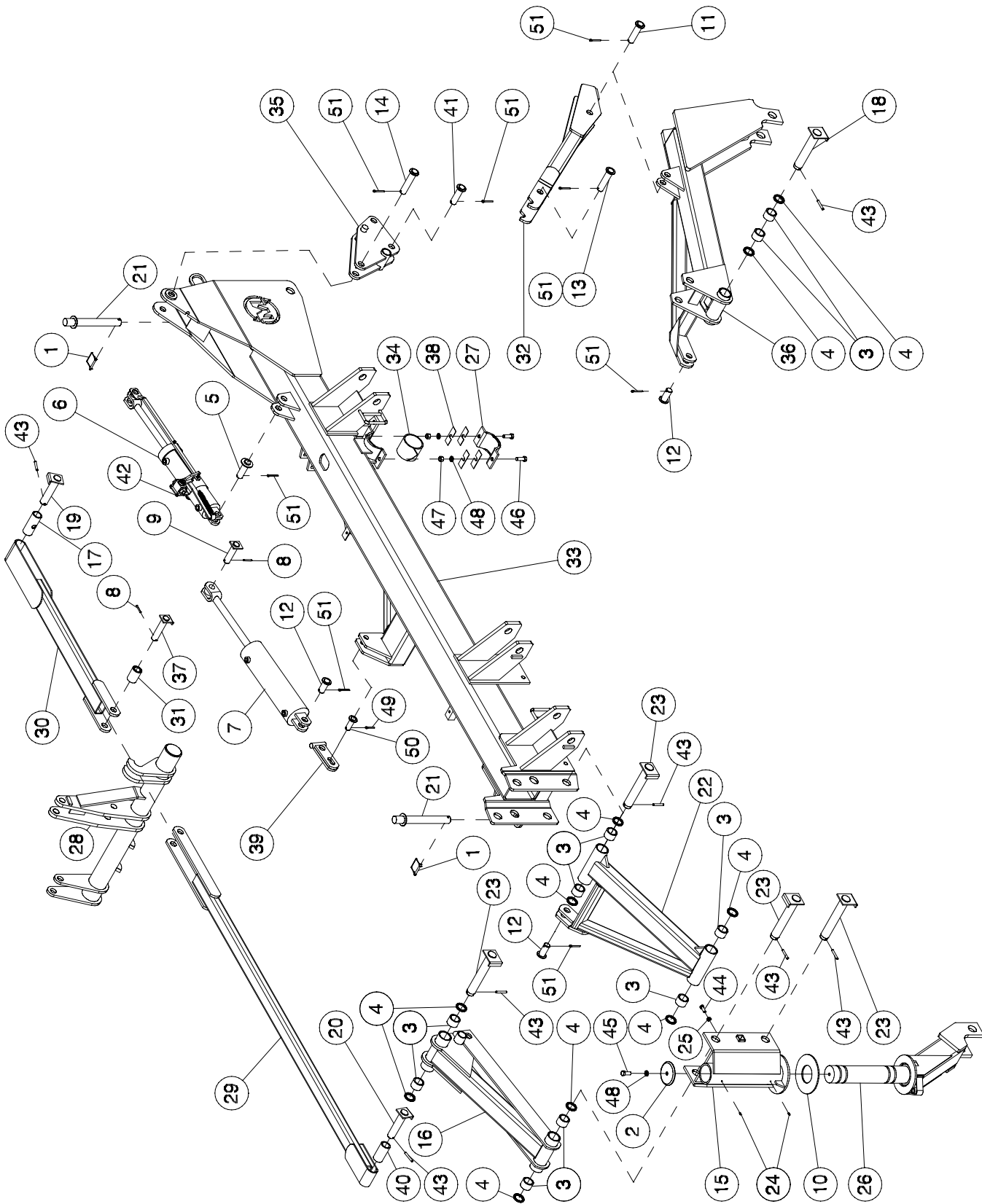
Item	Part No.	Description	Qty
40 ft Model			
1	C16611	Rim - 15 x 10 - 6 Bolt.....	4
2	C17319	Tire 12.5L x 15SL - 8 Ply rating	4
3	C-1463	Heavy Duty Hub (Includes Items 7, 8 & 10)	4
4	C-1522	Dust Cap	4
5	W-1474	Outer Wheel Bearing	4
6	W-1475	Inner Wheel Bearing	4
7	W-1537	Outer Bearing Cup	4
8	W-1538	Inner Bearing Cup	4
9	C-1521	Seal	4
10	S-752	Grease Zerk - 1/4 NPT Straight	4
11	W-1416	Cotter Pin - 3/16 x 1 1/2.....	4
12	W-1383	Wheel Stud Bolt - 9/16 x 1 11/16	24
13	C-3258	Flatwasher - 2 OD x 1 1/16 ID x 3/16	4
14	S-1311	Slotted Nut - 1 SAE	4
15	C17348	Valve Stem - TR-416	4
16	S32545	Spindle - 2 Dia	4
17	S39440	Axle Bracket - Offset (Includes items 18 & 19)	2
18	C26086	Bearing - Garlock - 1 3/4 OD x 1 1/2 Lg	4
19	C26266	Dust Seal - 2.254 OD x 0.266 Thick.....	4
20	C26082	Washer - Formed - 1 3/4 ID	4
21	C26085	Pin - Walking Beam Pivot - 1 3/4 x 6 5/8 UL (For Castors with 3/4" plates)	2
	S32540	Pin - Walking Beam Pivot - 1 3/4 x 6 1/16 UL (For Castors with 1/2" plates)	2
22	T-5245	Spiral Pin - 3/8 x 2 1/2	2
23	W-493	Hex Bolt - 1/2 x 3-1/2 Lg	4
24	F-3405	Locknut - 1/2 Unitorque	4
50 & 60 ft Models			
1	C16611	Rim - 15 x 10 - 6 Bolt.....	8
2	C17319	Tire 12.5L x 15SL - 8 Ply rating	8
3	C-1463	Heavy Duty Hub (Includes Items 7, 8 & 10)	8
4	C-1522	Dust Cap	8
5	W-1474	Outer Wheel Bearing	8
6	W-1475	Inner Wheel Bearing	8
7	W-1537	Outer Bearing Cup	8
8	W-1538	Inner Bearing Cup	8
9	C-1521	Seal	8
10	S-752	Grease Zerk - 1/4 NPT Straight	8
11	W-1416	Cotter Pin - 3/16 x 1 1/2.....	8
12	W-1383	Wheel Stud Bolt - 9/16 x 1 11/16	48
13	C-3258	Flatwasher - 2 OD x 1 1/16 ID x 3/16	8
14	S-1311	Slotted Nut - 1 SAE	8
15	C17348	Valve Stem - TR-416	8
16	S32545	Spindle - 2 Dia	8
17	S39440	Axle Bracket - Offset (Includes items 18 & 19)	4
18	C26086	Bearing - Garlock - 1 3/4 OD x 1 1/2 Lg	8
19	C26266	Dust Seal - 2.254 OD x 0.266 Thick.....	8
20	C26082	Washer - Formed - 1 3/4 ID	8
21	C26085	Pin - Walking Beam Pivot - 1 3/4 x 6 5/8 UL (For Castors with 3/4" plates)	4
	S32540	Pin - Walking Beam Pivot - 1 3/4 x 6 1/16 UL (For Castors with 1/2" plates)	4
22	T-5245	Spiral Pin - 3/8 x 2 1/2	4
23	W-493	Hex Bolt - 1/2 x 3-1/2 Lg	8
24	F-3405	Locknut - 1/2 Unitorque	8

Section 3: Depth Control

Section Contents

Main Frame	3-2
Inner & Outer Wing Frames	3-4

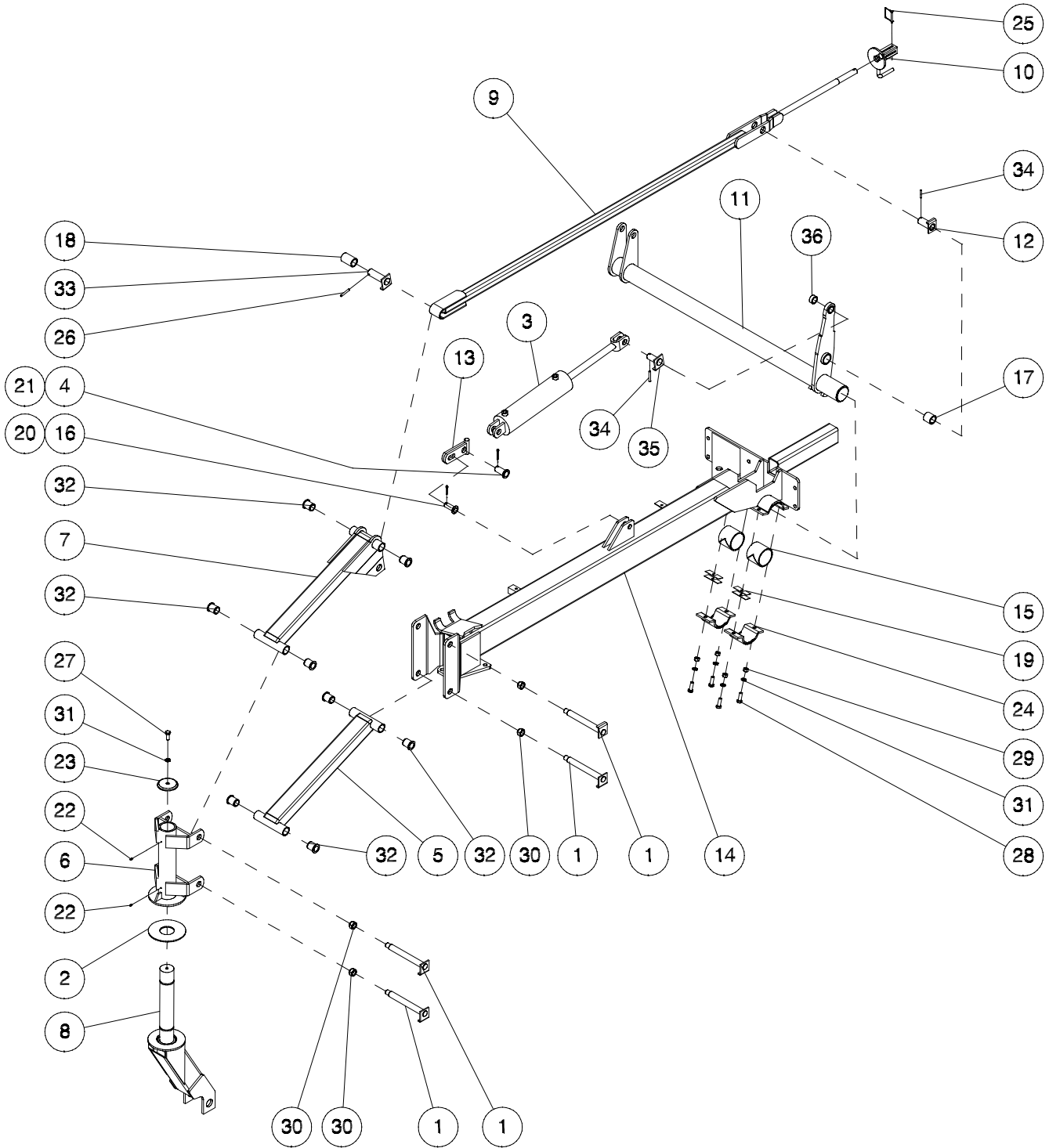
Depth Control Main Frame



Depth Control - Main Frame

Item	Part No.	Description	Qty
1	C13447	Quick Pin - 5/16	2
2	C18781	Cap - 3-1/2	1
3	C26086	Polygon Fiber Bushing	10
4	C26266	Dust Seal - 1 3/4 Shaft	10
5	C26717	Pin - 1 1/4 Dia x 3 3/8 UL	1
6	*****	Refer to Wing Lift Hydraulics	1
7	C40380	Cylinder - 4 1/4 x 14 - 40 ft Only	1
	C40390	Cylinder 4 1/2 x 14 - 50 ft & 60 ft	1
8	D-5244	Spiral Pin - 1/4 x 2	2
9	S42837	Pin - 1 1/4 Dia x 3 15/16 UL	1
10	S39728	Wear Plate	1
11	N28994	Pin - 1 1/4 x 4 1/4 UL	1
12	N28997	Pin - 1 1/4 Dia x 2 1/4 UL	3
13	N28998	Pin - 1 1/4 Dia x 4 3/4 UL	1
14	N32735	Pin - 1 1/4 Dia x 5 1/4 UL	1
15	S39723	Castor Bracket - Main	1
16	N33612	Main Upper Link	1
17	N33762	Bushing - 2 OD x 1.531 ID x 5 Lg	1
18	N33766	Pin - 1 3/4 Dia x 9 1/16 UL	1
19	N33771	Pin - 1 1/2 Dia x 6 3/16 UL	1
20	N33804	Pin - 1 1/2 Dia x 6 UL	1
21	N33810	Lock Pin - 1 1/2 Dia x 10 1/2 UL	2
22	N33845	Main Lower Brace Link	1
23	N33863	Pivot Pin - 1 3/4 Dia x 9 1/16 UL	4
24	S-752	Grease Fitting - 1/4 Straight	2
25	S-1292	Hex Jam Nut - 1/2	1
26	S39724	Offset Castor - HD Main	1
27	S39135	Clamp Strap - Torque Tube	2
28	S39222	Torque Tube - Left Main	1
	S39223	Torque Tube - Right Main	1
29	S39237	Main Depth Link	1
30	S39238	Trans Depth Link	1
31	S39239	Roller	1
32	S39246	Lower Transport Link	1
33	S47100	Depth Beam - Left Main	1
	S47101	Depth Beam - Right Main	1
34	S39275	Nylon Bearing Strap	2
35	S39956	Top Transport Link	1
36	S39309	Rear Transport Axle - Left	1
	S39831	Rear Transport Axle - Right	1
37	S39363	Link Pin - 1 1/4 Dia x 5 1/8 UL	1
38	S39365	Shim Torque Tube - Single Hole	8
39	S39409	Cylinder Lug	1
40	S39427	Bushing - 2 OD x 1 1/2 ID	1
41	S39543	Pin - 1 1/4 x 3 5/8 UL	1
42	*****	Transport Valve Assembly (See Section 4)	1
43	T-5245	Spiral Pin - 3/8 x 2 1/2	7
44	W-485	Hex Bolt - 1/2 x 1 1/4 Lg	1
45	W-497	Hex Bolt - 5/8 x 1-1/2 Lg	1
46	W-498	Hex Bolt - 5/8 x 1-3/4 Lg	4
47	W-517	Hex Nut - 5/8	4
48	W-526	Lockwasher - 5/8	5
49	W-535	Cotter Pin - 1/4 x 1 1/2 Lg	1
50	W-558	Pin - 1 Dia x 2 1/4 UL	1
51	W-4181	Cotter Pin - 1/4 x 2 Lg	9

Depth Control Inner & Outer Wing Frames



Depth Control - Inner & Outer Wing Frames

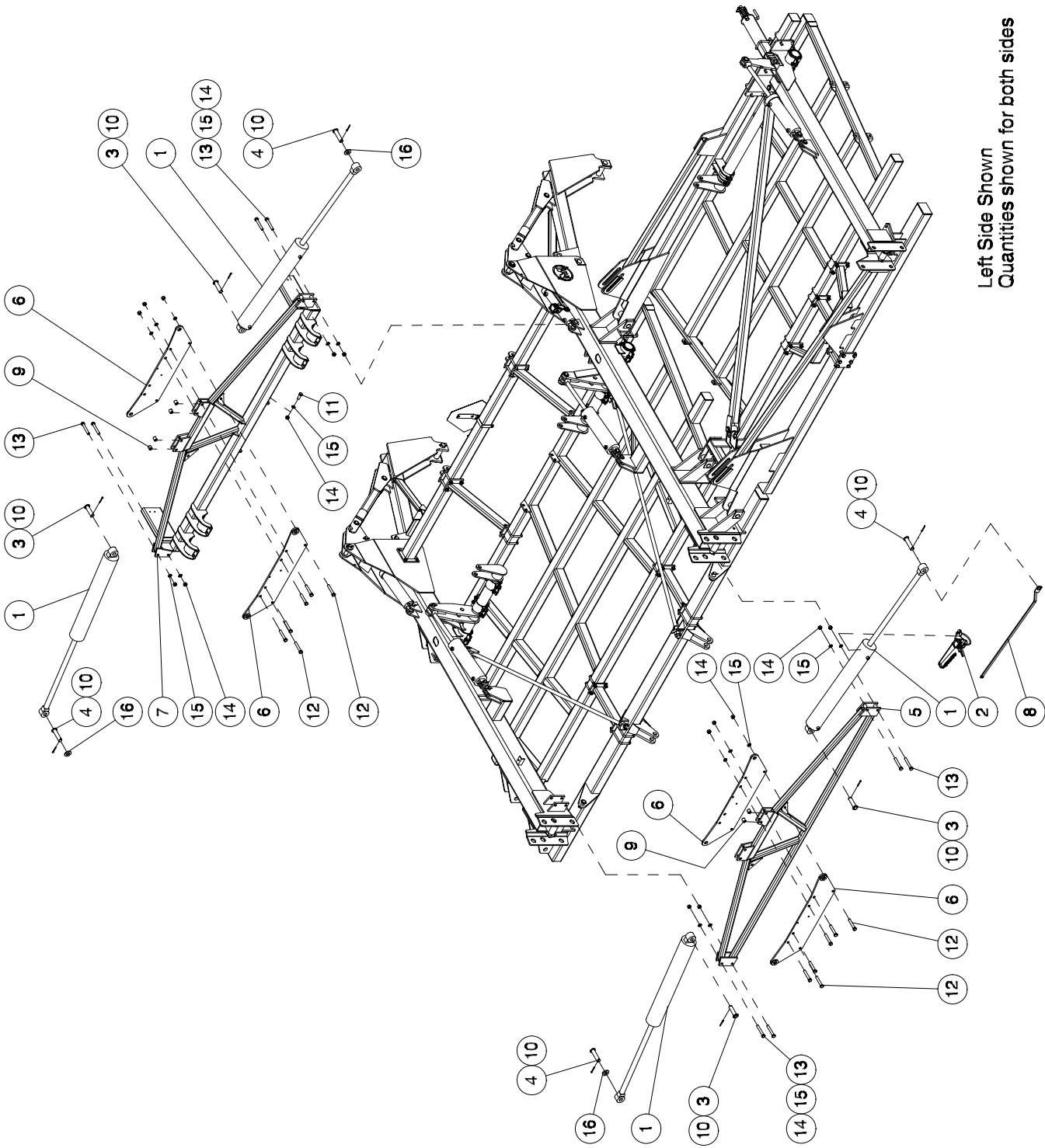
Item	Part No.	Description	Qty
1	C18524	Pin - 1 1/4 Dia x 10 3/32 UL	4
2	C18662	Wear Washer	1
3	C33879	Cylinder - 4 x 14 - 40 ft Inner Wing	1
	C40380	Cylinder - 4 1/4 x 14 - 50 ft & 60 ft Inner Wing	1
	C33879	Cylinder - 4 x 14 - 50 ft & 60 ft Outer Wing	1
4	N28997	Pin - 1 1/4 Dia x 2 1/4 UL	1
5	N31831	Lower Gauge Link	1
6	N33611	Castor Bracket - Wing	1
7	N33759	Wing Top Link	1
8	S45720	Offset Castor - Wing - 3/4" side plates	1
9	S39083	Depth Control Link	1
10	S39086	Depth Control Nut	1
11	S39677	Torque Tube - Primary - Inner Wing 50 ft.....	1
	S39224	Torque Tube - Primary - Inner Wing 60 ft.....	1
	S39679	Torque Tube - Primary - Outer Wing 50 ft.....	1
	S39304	Torque Tube - Primary - Outer Wing 60 ft.....	1
12	S39366	Link Pin	1
13	S39409	Cylinder Lug	1
14	S39152	Depth Beam - LH Inner Wing 40 ft	1
	S39154	Depth Beam - RH Inner Wing 40 ft.....	1
	S39416	Depth Beam - LH Inner Wing 50 ft & 60 ft	1
	S39417	Depth Beam - RH Inner Wing 50 ft & 60 ft	1
	S39152	Depth Beam - LH Outer Wing 50 ft & 60 ft	1
	S39154	Depth Beam - RH Outer Wing 50 ft & 60 ft.....	1
15	S39275	Nylon Bearing Strap.....	2
16	W-558	Pin - 1 Dia x 2 1/4 UL	1
17	S39207	Bushing - 2 OD x 1 1/2 ID Polygon x 1 7/8 Lg	1
18	S39428	Bushing - 2 OD x 1 1/2 ID Polygon x 3 Lg	1
19	S39365	Shim - Torque Tube - Single Hole	4
20	W-535	Cotter Pin - 1/4 x 1 1/2 Lg	1
21	W-4181	Cotter Pin - 1/4 x 2 Lg	2
22	S-752	Grease Fitting - 1/4 Straight	2
23	C18782	Cap - 3	1
24	S39135	Clamp Strap - Torque Tube - Single Hole	2
25	C13447	Quick Pin - 5/16	1
26	T-5245	Spiral Pin - 3/8 x 2 1/2 Lg	1
27	W-497	Hex Bolt - 5/8 x 1-1/2 Lg	1
28	W-498	Hex Bolt - 5/8 x 1 3/4 Lg	4
29	W-517	Hex Nut - 5/8.....	4
30	D-5274	Locknut - 1 Unitorque	4
31	W-526	Lockwasher - 5/8	5
32	C18510	Bushing - Nylon	8
33	N33806	Pin - 1 1/2 Dia x 4 1/4 UL	1
34	D-5244	Spring Pin - 1/4 x 2 Lg	2
35	S42835	Pin - 1 1/4 Dia x 2 3/16	1
36	C42939	Bushing - 1 1/4 ID x 1 5/8 OD	2

Section 4: Wing Lift Assembly

Section Contents

40 ft Model - Prior to June 2005	4-2
40 ft Model	4-4
50 ft & 60 ft Models - Prior to June 2005	4-6
50 ft & 60 ft Models	4-8
Wing Valve - 40 ft Model - Prior to June 2005	4-10
Wing Valve - 40 ft Model - Prior to June 2005	4-11
Wing Valve - 40 ft, 50 ft & 60 ft Models	4-12
Wing Valve - 40 ft, 50 ft & 60 ft Models	4-13
Main Frame Valve - 40 ft, 50 ft & 60 ft Models	4-14
Main Frame Valve - 40 ft, 50 ft & 60 ft Models	4-15

Wing Lift Assembly 40 ft Model - Prior to June 2005

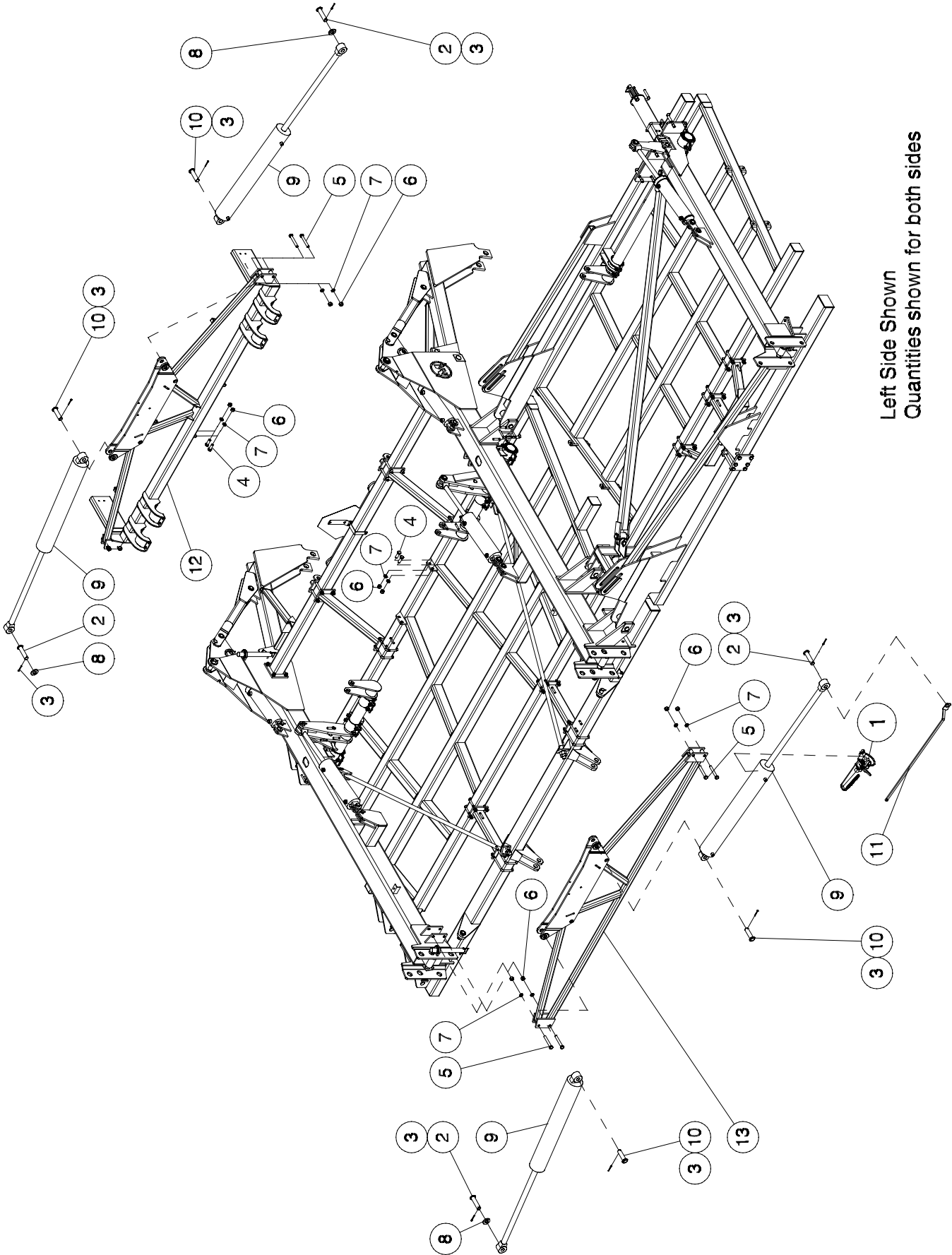


Left Side Shown
Quantities shown for both sides

Wing Lift Assembly - 40 ft Model - Prior to June 2005

Item	Part No.	Description	Qty
1	*****	See Section 10 For Details	1
2	*****	See Section 10 For Details	1
3	N28994	Pin - 1 1/4 Dia x 4 1/4 UL	4
4	N28998	Pin - 1 1/4 Dia x 4 3/4 UL	4
5	S39018	Wing Lift Truss - Front	1
6	S39019	Wing Lift Plate	4
7	S39180	Wing Lift Truss - Rear	1
8	S39761	Valve Control Rod - 40 ft	1
9	S39648	Spacer - Wing Lift Plate	8
10	W-4181	Cotter Pin - 1/4 x 2 Lg.....	10
11	C-695	Hex Bolt - 3/4 x 2 Lg.....	4
12	S-1175	Hex Bolt - 3/4 x 4 1/2 Lg	12
13	S-1191	Hex Bolt - 3/4 x 5 Lg.....	8
14	W-518	Hex Nut - 3/4	24
15	W-527	Lockwasher - 3/4	24
16	N13962	Washer - 2 1/2 OD x 1 9/32 ID x 1/4 Thick	3

Wing Lift Assembly 40 ft Model

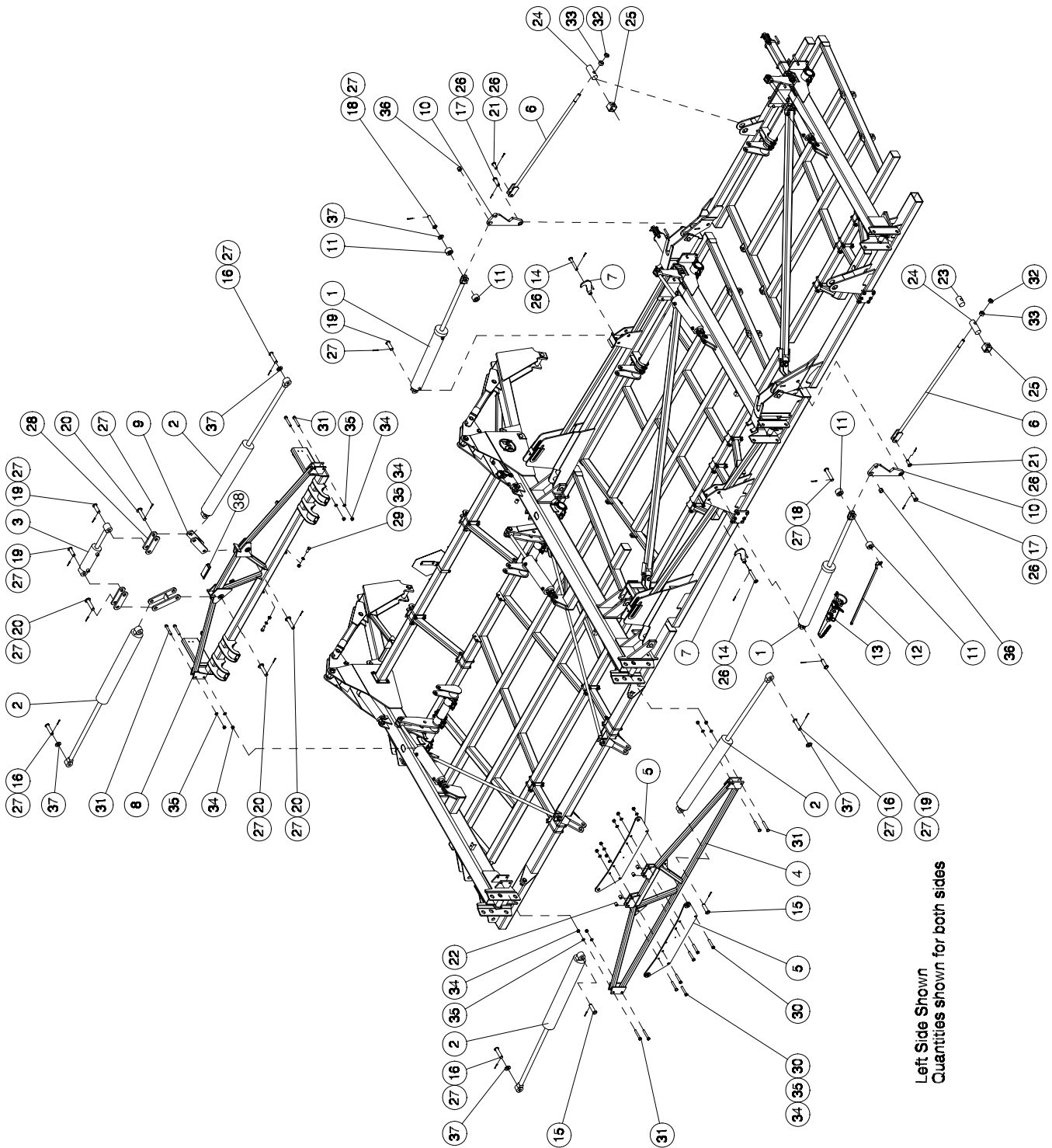


Left Side Shown
Quantities shown for both sides

Wing Lift Assembly - 40 ft Model

Item	Part No.	Description	Qty
1	*****	See Section 10 For Details	1
2	N28998	Pin - 1 1/4 Dia x 4 3/4 UL	4
3	W-4181	Cotter Pin - 1/4 x 2 Lg.....	10
4	C-695	Hex Bolt - 3/4 x 2 Lg.....	4
5	S-1191	Hex Bolt - 3/4 x 5 Lg.....	8
6	W-518	Hex Nut - 3/4	12
7	W-527	Lockwasher - 3/4	12
8	N13962	Washer - 2 1/2 OD x 1 9/32 ID x 1/4	3
9	C39490	Cylinder - 5 x 36	4
10	N28994	Pin - 1 1/4 Dia x 4 1/4 UL	4
11	S39761	Valve Control Rod - 40 ft	1
12	S39928	Wing Lift Truss - Rear.....	1
13	S39929	Wing Lift Truss - Front	1

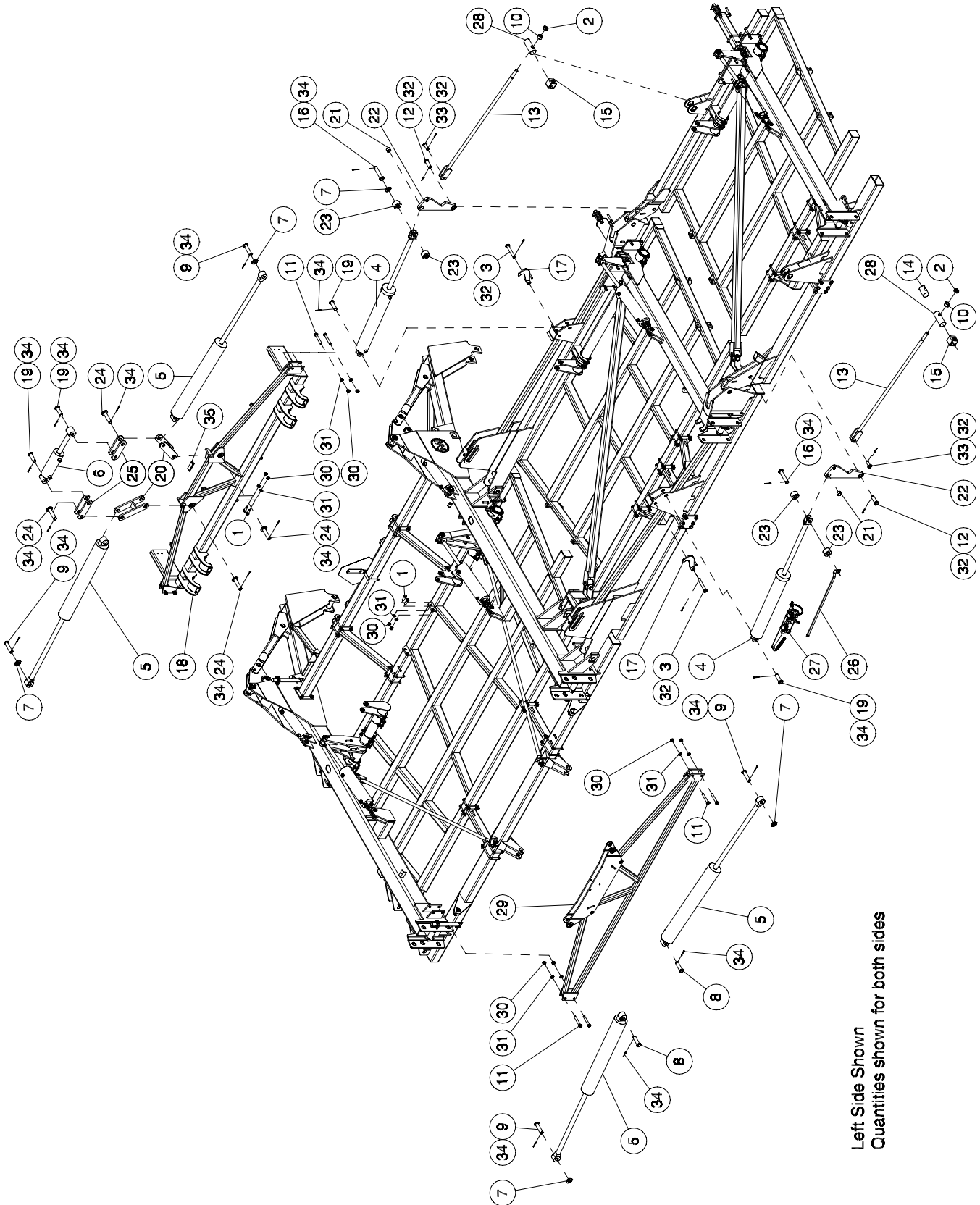
Wing Lift Assembly 50 ft & 60 ft Models - Prior to June 2005



Wing Lift Assembly - 50 ft & 60 ft Models - Prior to June 2005

Item	Part No.	Description	Qty
1	C34442	Cylinder - 4 1/2 x 30	4
2	C39490	Cylinder - 5 x 36	4
3	C39564	Cylinder - 5 x 8	1
4	S39018	Wing Lift Truss Front	1
5	S39019	Wing Lift Plate	2
6	S39276	Control Rod 1 1/4 Dia	4
7	S39443	Transport Gravity Lock Hook - 50 ft	2
	S39443	Transport Gravity Lock Hook - 60 ft	4
8	S39447	Wing Lift Truss Rear	1
9	S39562	Lower Wing Lift Link	2
10	S39568	Rear Wing Lift Link	4
11	S39570	Outer Wing Lift Roller	8
12	S39767	Valve Control Rod - 50 ft & 60 ft	1
13	*****	Valve Assembly - 50 ft & 60 ft	1
14	C26844	Pin - 1 Dia x 6 1/8 UL - 50 ft	2
	C26844	Pin - 1 Dia x 6 1/8 UL - 60 ft	4
15	N28994	Pin - 1 1/4 Dia x 4 1/4 UL	2
16	N28998	Pin - 1 1/4 Dia x 4 3/4 UL	4
17	S22217	Pin - 1 1/4 Dia x 2 7/8 UL	4
18	S39356	Pin - 1 1/4 Dia x 5 15/16 UL	4
19	S39543	Pin - 1 1/4 x 3 5/8 UL	6
20	S39658	Pin - 1 1/4 x 5 1/8 UL	4
21	W-558	Pin - 1 Dia x 2 1/4 UL	6
22	S39648	Spacer Wing Lift Plate	4
23	S39319	Outer Wing Lift Pivot - 50 ft Only	2
24	S39851	Outer Wing Lift Pivot - 60 ft	4
25	S39320	Spacer Tube	4
26	W-535	Cotter Pin - 1/4 x 1 1/2 Lg - 50 ft	13
	W-535	Cotter Pin - 1/4 x 1 1/2 Lg - 60	15
27	W-4181	Cotter Pin - 1/4 x 2 Lg	26
28	S39753	Link	4
29	C-695	Hex Bolt - 3/4 x 2 Lg	4
30	S-1175	Hex Bolt - 3/4 x 4 1/2 Lg	6
31	S-1191	Hex Bolt - 3/4 x 5 Lg	8
32	C15768	Hex Jam Nut - 1 1/4	6
33	P61D20	Hex Nut - 1 1/4	6
34	W-518	Hex Nut - 3/4	18
35	W-527	Lockwasher - 3/4	18
36	S39567	Polygon Bushing - 1.258 ID x 1.6305 OD x 1 Lg	4
37	N13962	Washer 2 1/2 OD x 1 9/32 ID x 1/4 Thick	7
38	S42883	Spacer Plate	1

Wing Lift Assembly 50 ft & 60 ft Models

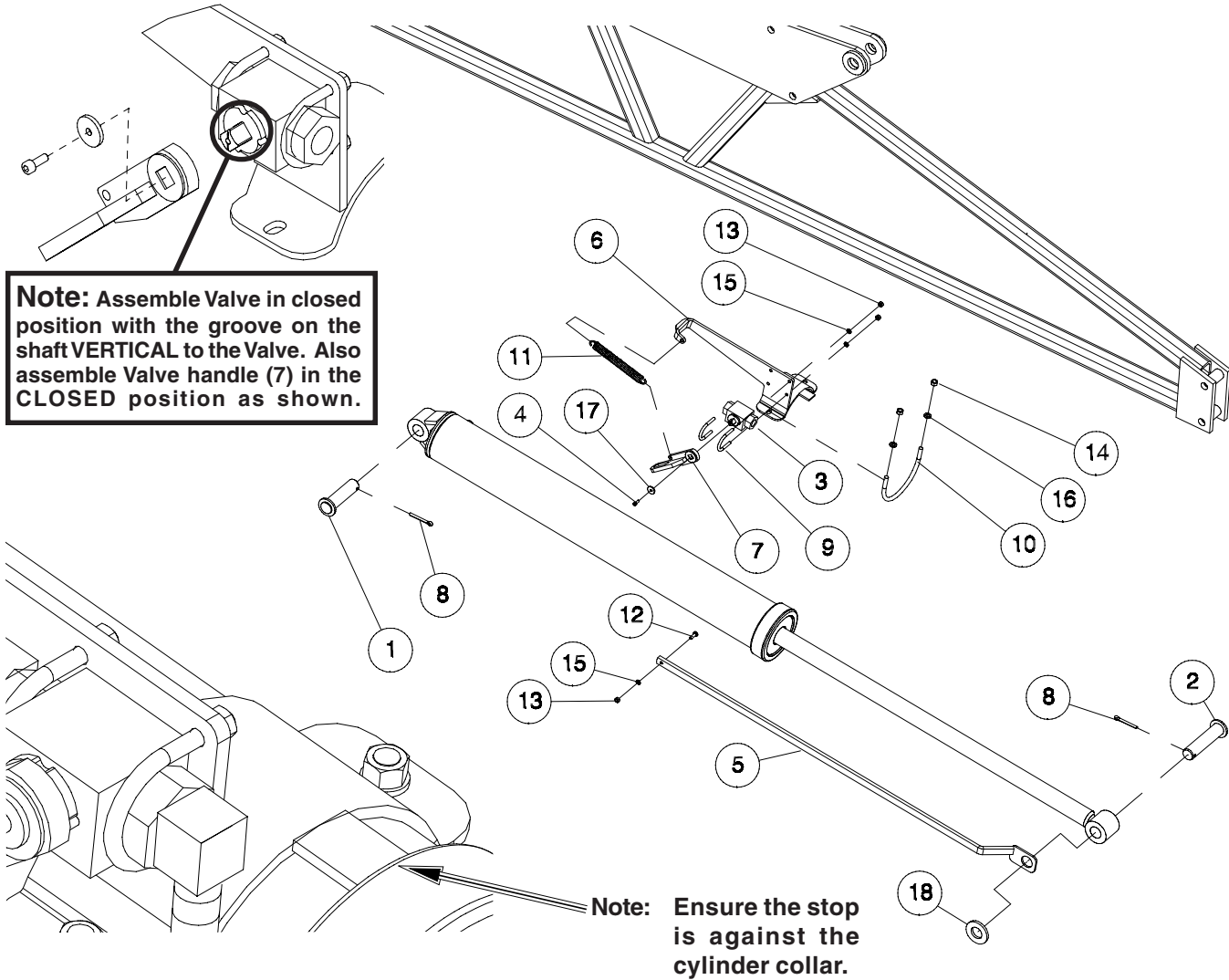


Left Side Shown
Quantities shown for both sides

Wing Lift Assembly - 50 ft & 60 ft Models

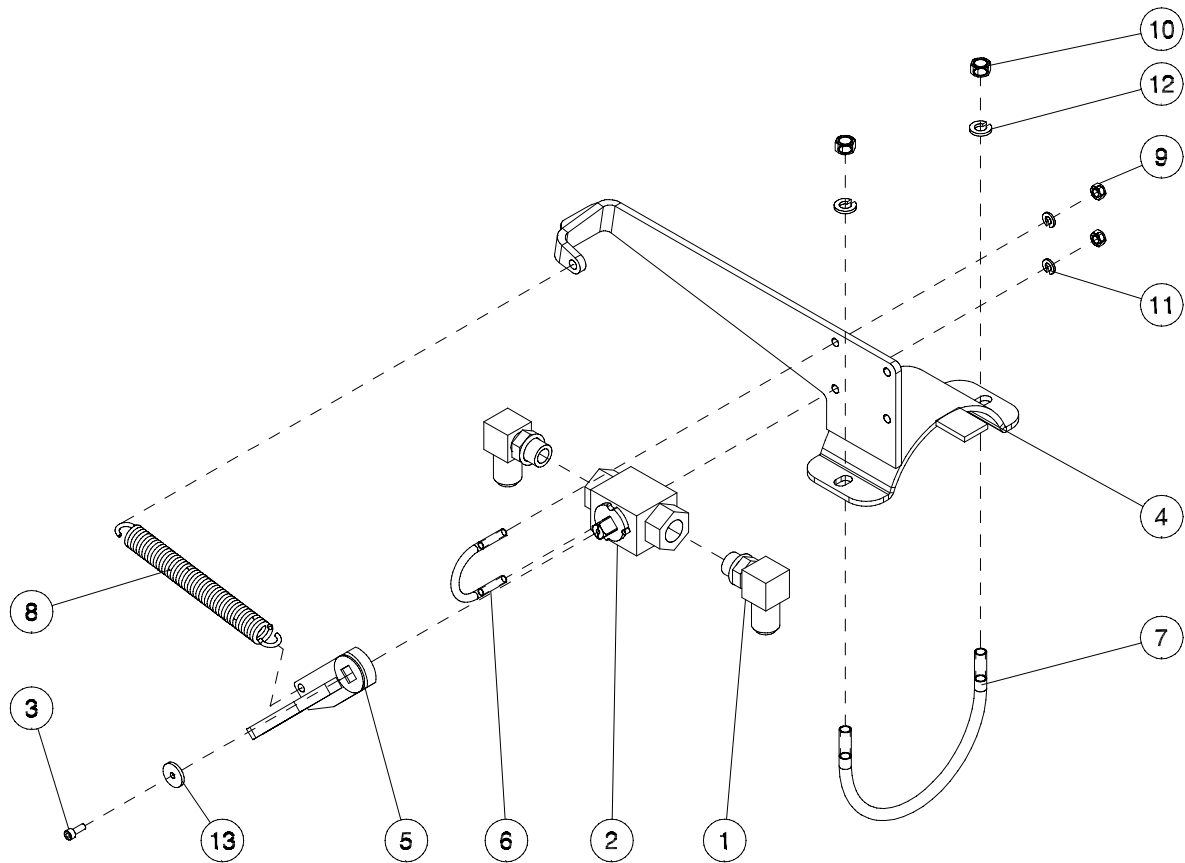
Item	Part No.	Description	Qty
1	C-695	Hex Bolt - 3/4 x 2 Lg	4
2	C15768	Hex Jam Nut - 1 1/4	6
3	C26844	Pin - 1 Dia x 6 1/8 UL - 60 ft	4
	C26844	Pin - 1 Dia x 6 1/8 UL - 50 ft	2
4	C34442	Cylinder - 4 1/2 x 30	4
5	C39490	Cylinder - 5 x 36 - 60 ft	4
	C39030	Cylinder - 4 1/2 x 36 - 50 ft	4
6	C39564	Cylinder - 5 x 8	1
7	N13962	Washer - 2 1/2 OD x 1 9/32 ID x 1/4	7
8	N28994	Pin - 1 1/4 Dia x 4 1/4 UL	2
9	N28998	Pin - 1 1/4 Dia x 4 3/4 UL	4
10	P61D20	Hex Nut - 1 1/4	6
11	S-1191	Hex Bolt - 3/4 x 5 Lg	8
12	S22217	Pin - 1 1/4 Dia x 2 7/8 UL	4
13	S39276	Control Rod - 1 1/4 Dia	4
14	S39319	Outer Wing Lift Pivot - 50 ft Only	2
15	S39320	Spacer Tube	4
16	S39356	Pin - 1 1/4 Dia x 5 15/16 UL	4
17	S39443	Transport Gravity Lock Hook - 50 ft	2
	S39443	Transport Gravity Lock Hook - 60 ft	4
18	S39447	Wing Lift Truss Rear	1
19	S39543	Pin - 1 1/4 x 3 5/8 UL	6
20	S39562	Lower Wing Lift Link	2
21	S39567	Polygon Bushing - 1.258 ID x 1.6305 OD x 1 Lg	4
22	S39568	Rear Wing Lift Link	4
23	S39570	Outer Wing Lift Roller	8
24	S39658	Pin - 1 1/4 x 5 1/8 UL	4
25	S39753	Link	4
26	S39767	Valve Control Rod - 50 ft & 60 ft	1
27	S39774	Valve Assembly - 50 ft & 60 ft	1
28	S39851	Outer Wing Lift Pivot - 60 ft	4
29	S39929	Wing Lift Truss - Front	1
30	W-518	Hex Nut - 3/4	12
31	W-527	Lockwasher - 3/4	12
32	W-535	Cotter Pin - 1/4 x 1 1/2 Lg - 50 ft	13
	W-535	Cotter Pin - 1/4 x 1 1/2 Lg - 60 ft	15
33	W-558	Pin - 1 Dia x 2 1/4 UL	6
34	W-4181	Cotter Pin - 1/4 x 2 Lg	26
35	S42883	Spacer Plate	1

Wing Lift Assembly Wing Valve - 40 ft Model - Prior to June 2005



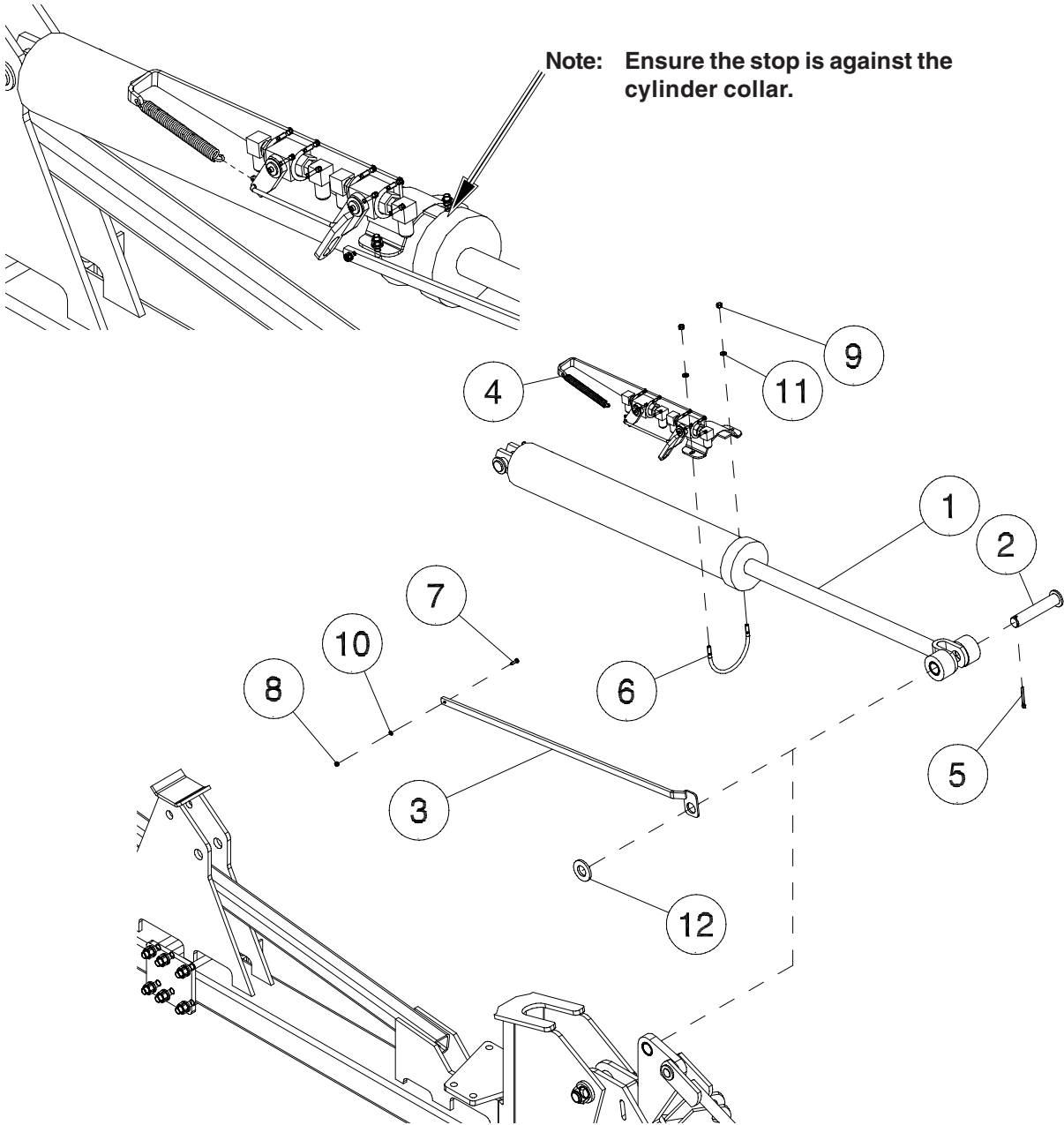
Item	Part No.	Description	Qty
1	N19368	Pin - 1 1/4 Pin x 4 UL	1
2	N28998	Pin - 1 1/4 Dia x 4 3/4 UL	1
3	N42880	Lock Valve	1
4	S39548	Socket Head Capscrew - 1/2 Lg.....	1
5	S39761	Valve Control Rod - 40 ft	1
6	S39778	Bracket - Shut Off Valve	1
7	S39380	Handle - Valve	1
8	W-4181	Cotter Pin - 1/4 x 2 Lg.....	1
9	N34319	U-Bolt - 1/4 x 1 1/2 x 1 3/4 Lg	2
10	S39650	U-Bolt - 3/8 x 5 1/2 Dia x 4 1/8 Lg	1
11	D-5054	Adjusting Spring	1
12	W-469	Hex Head - 1/4 x 3/4 Lg	1
13	W-512	Hex Nut - 1/4	5
14	W-514	Hex Nut - 3/8	2
15	W-521	Lockwasher - 1/4	5
16	W-523	Lockwasher - 3/8	2
17	S39549	Washer - 3/16 ID x 13/16 OD	1
18	N13962	Washer - 1.281 ID x 2 1/2 OD	1

Wing Lift Assembly Wing Valve - 40 ft Model - Prior to June 2005



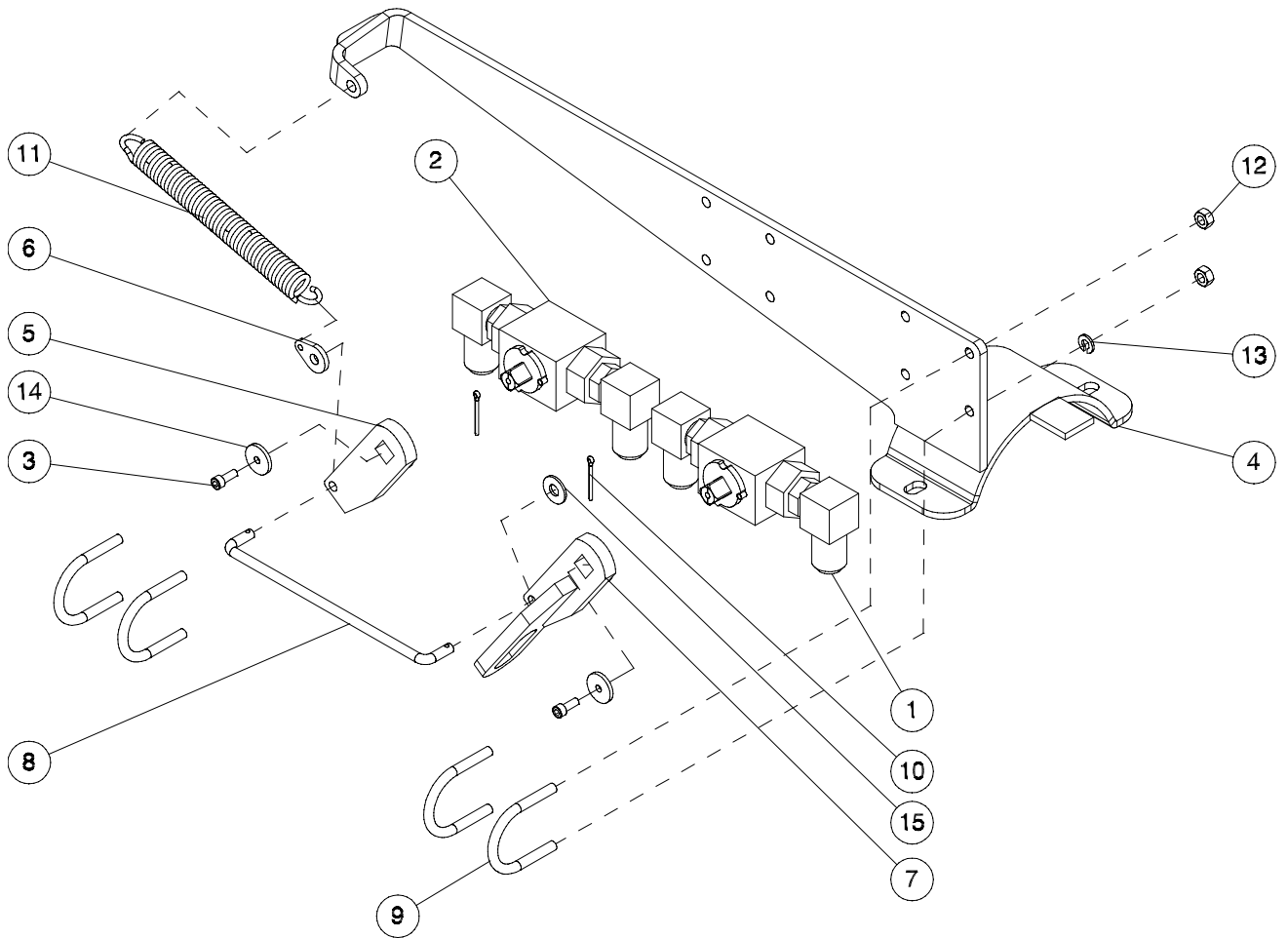
Item	Part No.	Description	Qty
1	C24585	90 Elbow - 7/8-14 MJIC x 3/4-16 MORB	2
2	N42880	Lock Valve	1
3	S39548	Socket Head Capscrew - #10 x 1/2 Lg	1
4	S39778	Bracket - Shut Off Valve	1
5	S39380	Handle - Valve	1
6	N34319	U-Bolt - 1/4 x 1 1/2 x 1 3/4 Lg	2
7	S39650	U-Bolt - 3/8 x 5 1/2 Dia x 4 1/8 Lg	1
8	D-5054	Adjusting Spring	1
9	W-512	Hex Nut - 1/4	4
10	W-514	Hex Nut - 3/8	2
11	W-521	Lockwasher - 1/4	4
12	W-523	Lockwasher - 3/8	2
13	S39549	Washer - 3/16 ID x 13/16 OD x 12 Ga	1

Wing Lift Assembly Wing Valve - 40 ft, 50 ft & 60 ft Models



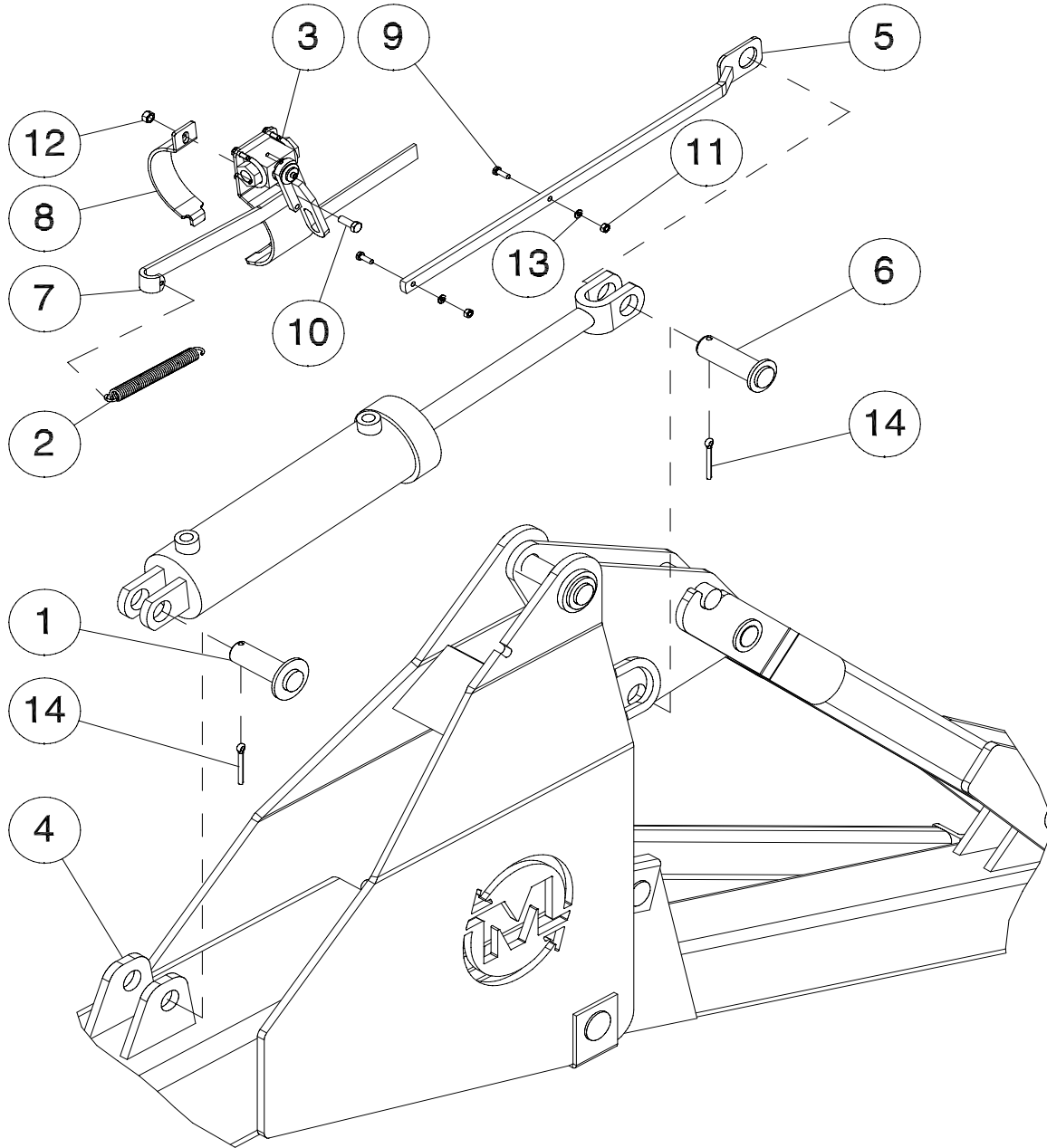
Item	Part No.	Description	Qty
1	C34442	Cylinder - 4 1/2 x 30	1
2	S39356	Pin - 1 1/4 Dia x 5 15/16 UL	1
3	S39761	Valve Control Rod - 40 ft	1
	S39767	Valve Control Rod - 50 ft & 60 ft	1
4	S39774	Valve Assembly- 50 ft & 60 ft (See next page)	1
5	W-4181	Cotter Pin - 1/4 x 2 Lg.....	2
6	S39650	U-Bolt - 3/8 x 5 1/2 Dia x 4 1/8 Lg.....	1
7	W-469	Hex Head - 1/4 x 3/4 Lg	1
8	W-512	Hex Nut - 1/4	1
9	W-514	Hex Nut - 3/8	2
10	W-521	Lockwasher - 1/4	1
11	W-523	Lockwasher - 3/8	2
12	N13962	Washer - 1.281 ID x 2.5 OD x 1/4 Thick	1

Wing Lift Assembly Wing Valve - 40 ft, 50 ft & 60 ft Models



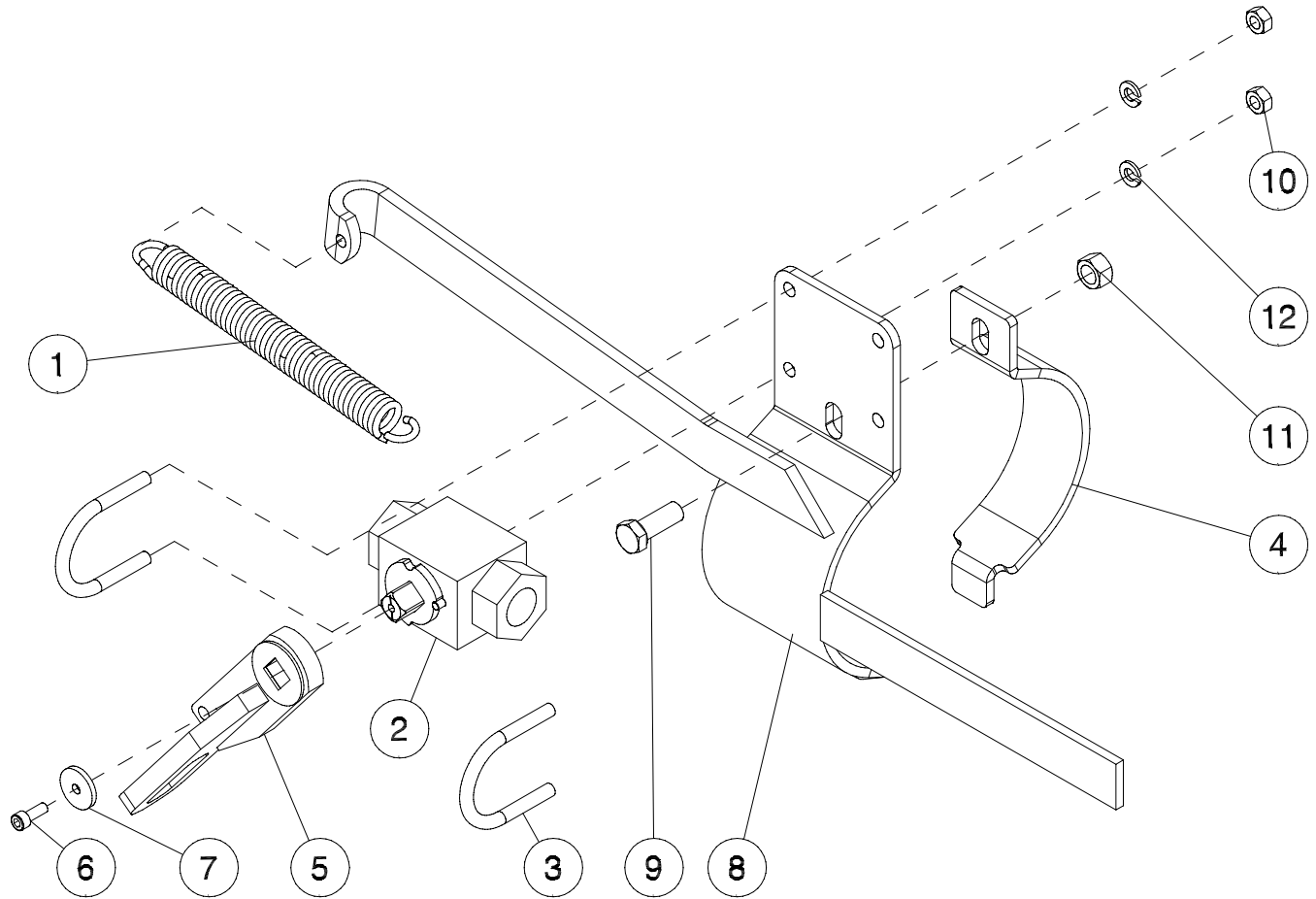
Item	Part No.	Description	Qty
1	C24585	90 Elbow - 7/8-14 MJIC x 3/4-16 MORB	4
2	N42880	Lock Valve	2
3	S39548	Socket Head Capscrew - #10 x 1/2 Lg	2
4	S39652	Bracket - Shut Off Valve	1
5	S39775	Valve Arm #2	1
6	S39776	Spring Attachment Washer	1
7	S39380	Handle - Valve	1
8	S39773	Link	1
9	N34319	U-Bolt - 1/4 x 1 1/2 x 1 3/4 Lg	4
10	D-5235	Cotter Pin - 3/32 x 1 Lg	2
11	D-5054	Adjusting Spring	1
12	W-512	Hex Nut - 1/4	8
13	W-521	Lockwasher - 1/4	8
14	S39549	Washer - 3/16 ID x 13/16 OD x 12 Ga	2
15	S-1198	Washer - 5/16 ID x 3/4 OD x 16 Ga	1
	S39774	Valve Assembly (Includes all items)	

Wing Lift Assembly Main Frame Valve - 40 ft, 50 ft & 60 ft Models



Item	Part No.	Description	Qty
1	C26717	Pin - 1 1/4 Dia x 3 3/8 UL	1
2	D-5054	Adjusting Spring (50 ft & 60 ft only)	1
3	*****	Refer to next page	1
4	S39265	Depth Beam - Lt Main	1
5	S39370	Valve Control Rod	1
6	S39543	Pin - 1 1/4 x 3 5/8 UL	1
7	*****	Refer to next page	1
8	*****	Refer to next page	1
9	W-469	Hex Head - 1/4 x 3/4 Lg	2
10	W-475	Hex Bolt - 3/8 x 1 Lg - For 3 1/2 Cylinder	1
	W-477	Hex Bolt - 3/8 x 1 1/2 Lg - For 4 Cylinder	1
11	W-512	Hex Nut - 1/4	6
12	W-514	Hex Nut - 3/8	1
13	W-521	Lockwasher - 1/4	6

Wing Lift Assembly Main Frame Valve - 40 ft, 50 ft & 60 ft Models



Item	Part No.	Description	Qty
1	D-5054	Adjusting Spring (50 ft & 60 ft only)	1
2	N42880	Lock Valve	1
3	N34319	U-Bolt - 1/4 x 1 1/2 x 1 3/4 Lg	2
4	S39081	Clamp Bracket - For 3 1/2 Cylinder	1
	S39987	Clamp Bracket - For 4 Cylinder	1
5	S39380	Handle - Valve	1
6	S39548	Socket Head Capscrew - #10 x 1/2 Lg	1
7	S39549	Washer - 3/16 ID x 13/16 OD x 12 Ga	1
8	S39765	Valve Bracket - For 3 1/2 Cylinder	1
	S39985	Valve Bracket - For 4 Cylinder	1
9	W-475	Hex Bolt - 3/8 x 1 Lg - For 3 1/2 Cylinder	1
	W-477	Hex Bolt - 3/8 x 1 1/2 Lg - For 4 Cylinder	1
10	W-512	Hex Nut - 1/4	4
11	W-514	Hex Nut - 3/8	1
12	W-521	Lockwasher - 1/4	4

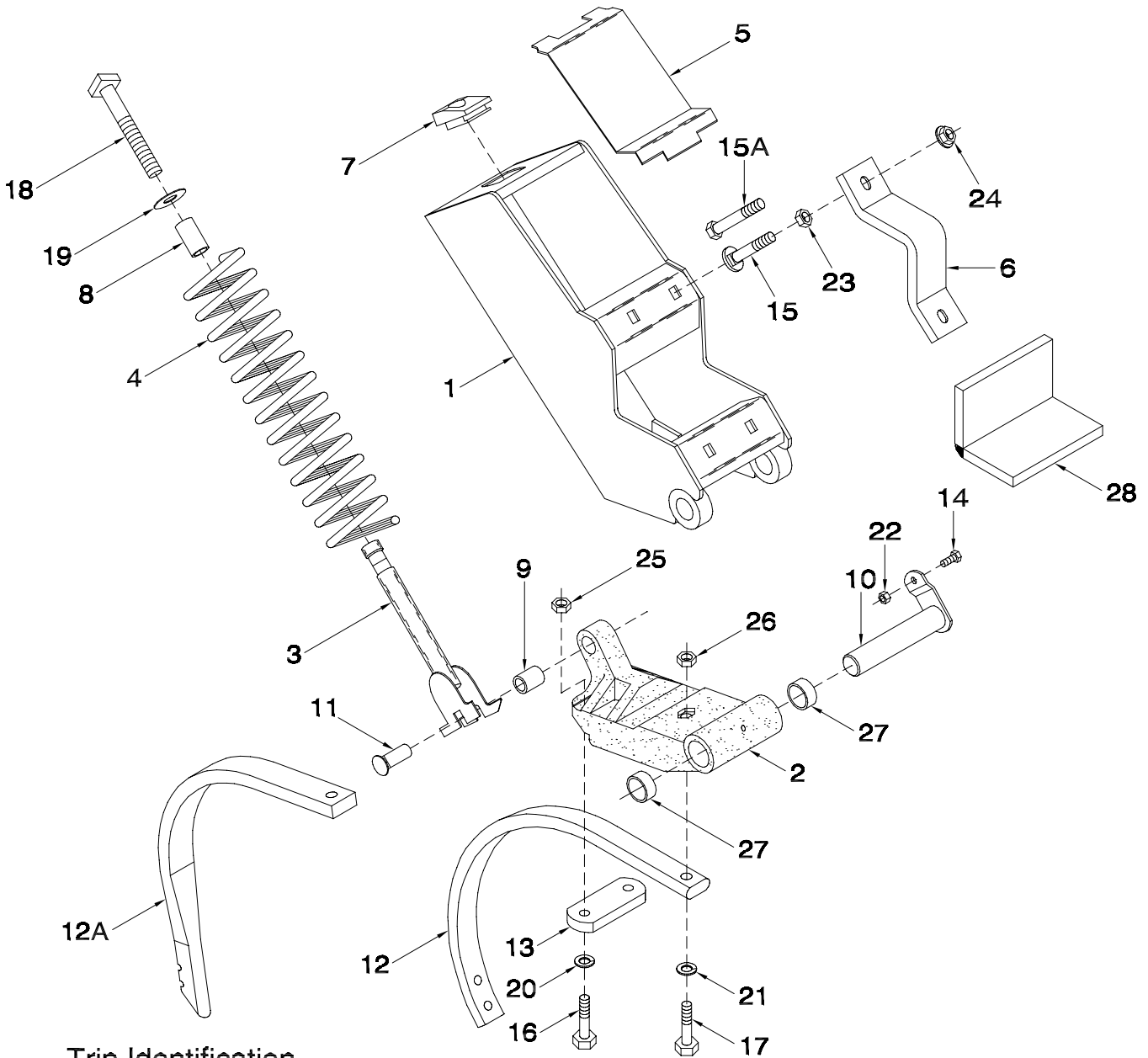
Notes

Section 5: Trip Assembly

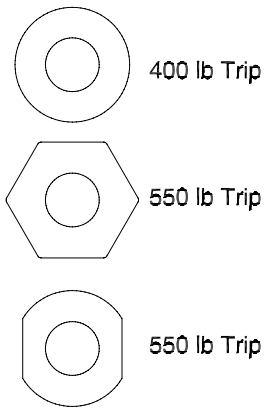
Section Contents

400 lb Spring Cushion	5-2
400HD Spring Cushion	5-4
550 lb Spring Cushion	5-6
550 lb Hydraulic Trip	5-8
Fertilizer Coulter Assembly	5-10
Fertilizer Coulter Sub-Assembly	5-12
Fertilizer Coulter - Optional Closing Wheel	5-14
Closing Wheel - Pincher Wheel	5-15

Trip Assembly 400 lb Spring Cushion



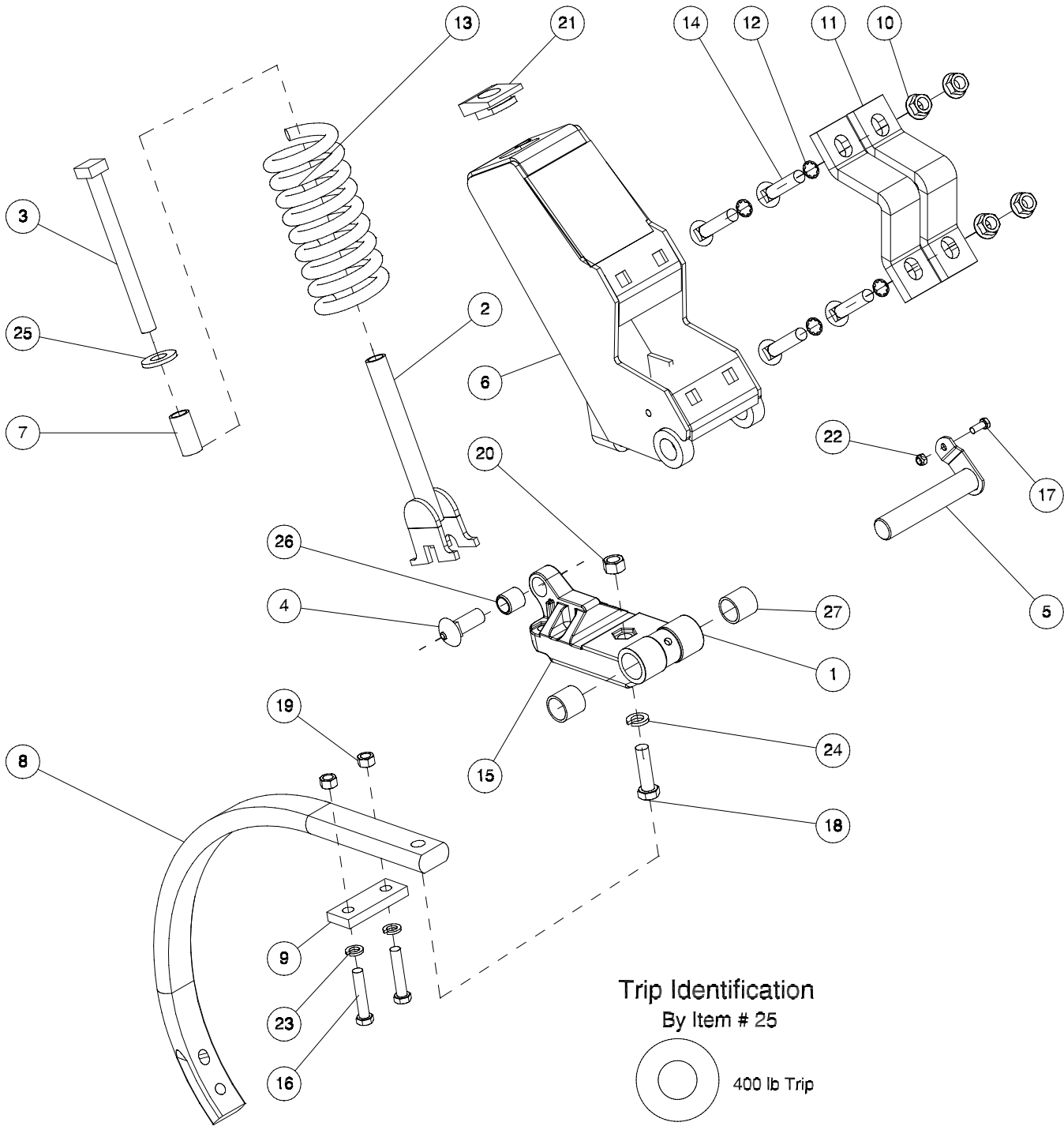
Trip Identification
By Item # 19



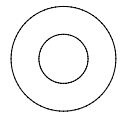
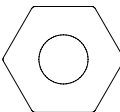
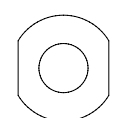
Trip Assembly - 400 lb Spring Cushion

Item	Part No.	Description	Qty
1	C18615	Housing - Shank Holder	1
2	C17394	Casting - Shank Holder Pivot	1
3	C18880	Spring Rod	1
4	C17377	Spring - Compression	1
5	C19978	Dirt Shield	1
6	C29191	Clamp Strap	2
7	C18863	Guide Bushing - Spring Rod	1
8	C33727	Spacer - Spring Rod - 2 Lg	1
9	C18985	Bushing - Spring Pin - 1 Lg	1
10	C26529	Pin - Shank Pivot - 1 1/8 Dia x 6 Lg	1
11	C25648	Pin - Lower Spring - 2 Lg	1
12	S31400	Shank - Conventional - 1 x 2 (34 3/8)	1
12A	S32100	Shank - Edge-On - 1 x 2	1
13	C18616	Clamp - Shank Holder	1
14	F-1767	Hex Bolt - 5/16 x 3/4 Lg	1
15	C29193	Carriage Bolt - 1/2 x 2 1/2 Lg GR8	4
15A	C-1823	Hex Bolt - 1/2 x 3 1/4 Lg (Optional - Used w/Spacer Kit C29192)	4
16	W-490	Hex Bolt - 1/2 x 2 1/2 Lg	2
17	W-500	Hex Bolt - 5/8 x 2 1/4 Lg	1
18	C24409	Square Head Bolt - 3/4 x 8 1/4 Lg	1
19	C24468	Washer - 1 3/4 OD x 13/16 ID x 3/16	1
20	W-525	Lockwasher - 1/2	2
21	W-526	Lockwasher - 5/8	1
22	D-5272	Locknut - 5/16 Unitorque	1
23	S-1292	Jam Nut - 1/2	4
24	D14565	Locknut - 1/2 Serrated	4
25	W-516	Hex Nut - 1/2	2
26	W-517	Hex Nut - 5/8	1
27	C24979	Bushing - Shank Holder Pivot - 1 1/4 Lg	2
28	C24410	Spacer (Optional)	1
	S35079	400 lb Trip Assembly - Conventional 1" x 2" Shank (Includes Items #1 to 27 Except #12A & 15A)	
	S35078	400 lb Trip Assembly - Forged - Edge-On 1" x 2" Shank (Includes Items #1 to 27 Except #12 & 15A)	

Trip Assembly 400HD Spring Cushion



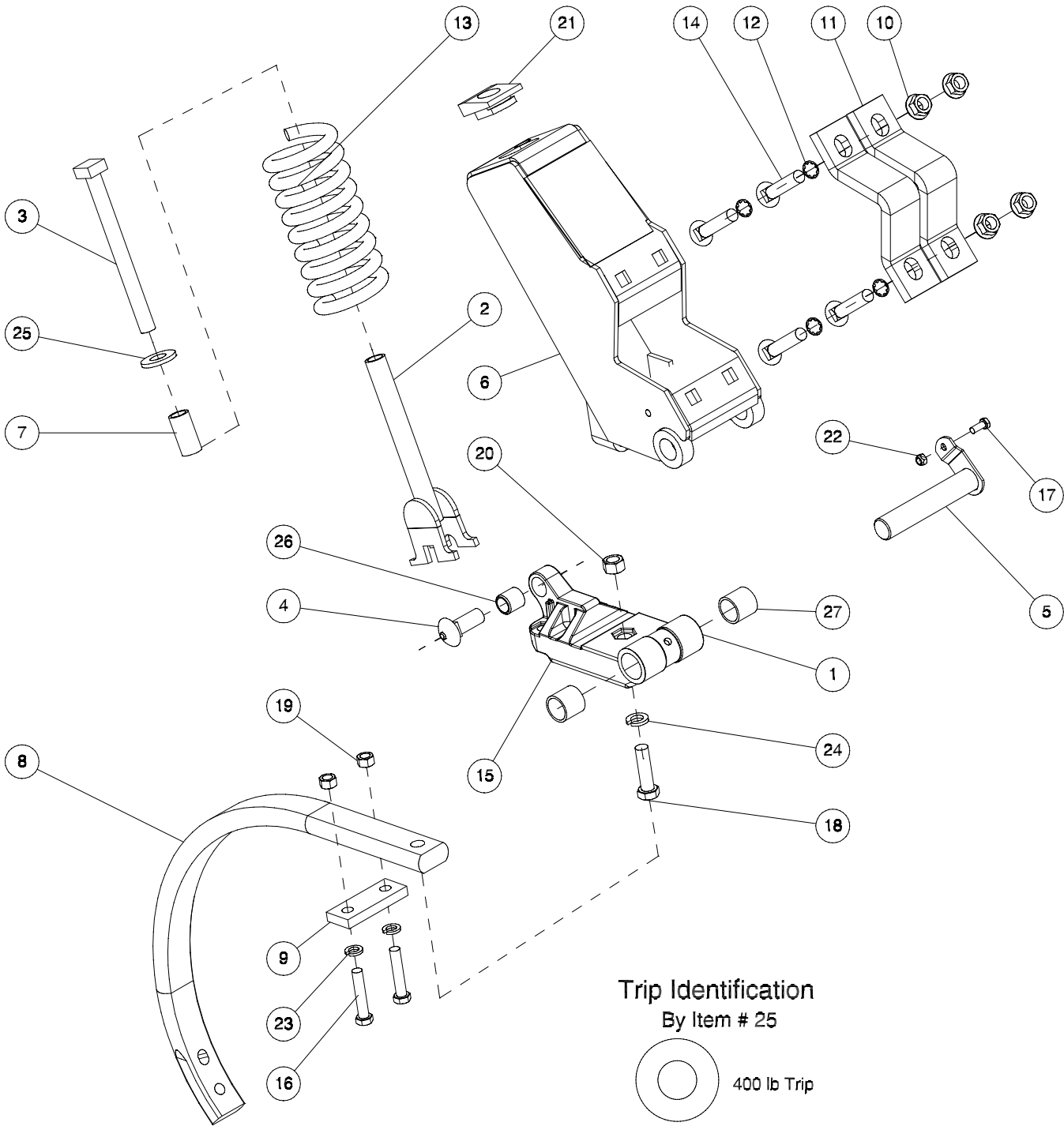
Trip Identification By Item # 25

- 
400 lb Trip
- 
550 lb Trip
- 
550 lb Trip

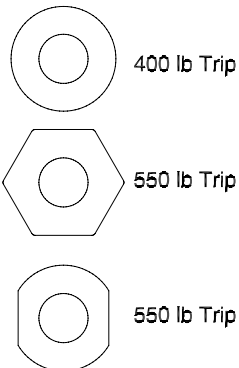
Trip Assembly - 400HD Spring Cushion

Item	Part No.	Description	Qty
1	C17394	Shank Holder Assembly	1
2	C18880	Spring Rod	1
3	C24409	Bolt - Spring Rod	1
4	C25648	Lower Spring Pin	1
5	C26529	Shank Pivot Pin	1
6	C34555	Housing	1
7	C33727	Spacer	1
8	S31400	Shank - 1 x 2	1
8A	S32100	Shank - Edge On - 1 x 2 (Not Shown)	1
8B	S47075	Shank - 1 1/4 x 2 (Not Shown)	1
9	C18616	Clamp Strap	1
10	W14434	5/8 Flange Locknut	4
11	C26506	Clamp Strap - Shank	2
12	C34562	5/8 Retaining Ring	4
13	C17377	Compression Spring	1
14	C34561	Carriage Bolt - 5/8 x 3	4
15	C32390	Shank Holder Casting	1
16	W-490	Hex Bolt - 1/2 x 2 1/2 Lg (Used on 1x 2 shanks S31400 and S32100)	2
	W-491	Hex Bolt - 1/2 x 2 3/4 Lg (Used on 1 1/4 x 2 shank S47075)	2
17	F-1767	Hex Bolt - 5/16 x 3/4 Lg	1
18	W-500	Hex Bolt - 5/8 x 2 1/4 (Used on 1x 2 shanks S31400 and S32100)	1
	W-501	Hex Bolt - 5/8 x 2 1/2 (Used on 1 1/4 x 2 shank S47075)	1
19	W-516	Hex Nut - 1/2	2
20	W-517	Hex Nut - 5/8	1
21	C18863	Guide Bushing	1
22	D-5272	Locknut - 5/16 Unitorque	1
23	W-525	Lockwasher - 1/2	2
24	W-526	Lockwasher - 5/8	1
25	C24468	Washer - 13/16 ID x 1 3/4 OD x 3/16	1
26	C18985	Spring Pin Bushing	1
27	C24979	Shank Casting Bushing	2
	C39879	400HD Trip Assembly - Conventional 1" x 2" Shank (Includes items 1 to 27 except 8A and 8B)	
	C39880	400HD Trip Assembly - Edge On 1" x 2" Shank (Includes items 1 to 27 except 8 and 8B)	
	C43526	400HD Trip Assembly - Conventional 1 1/4" x 2" Shank (Includes items 1 to 27 except 8 and 8A)	

Trip Assembly 550 lb Spring Cushion



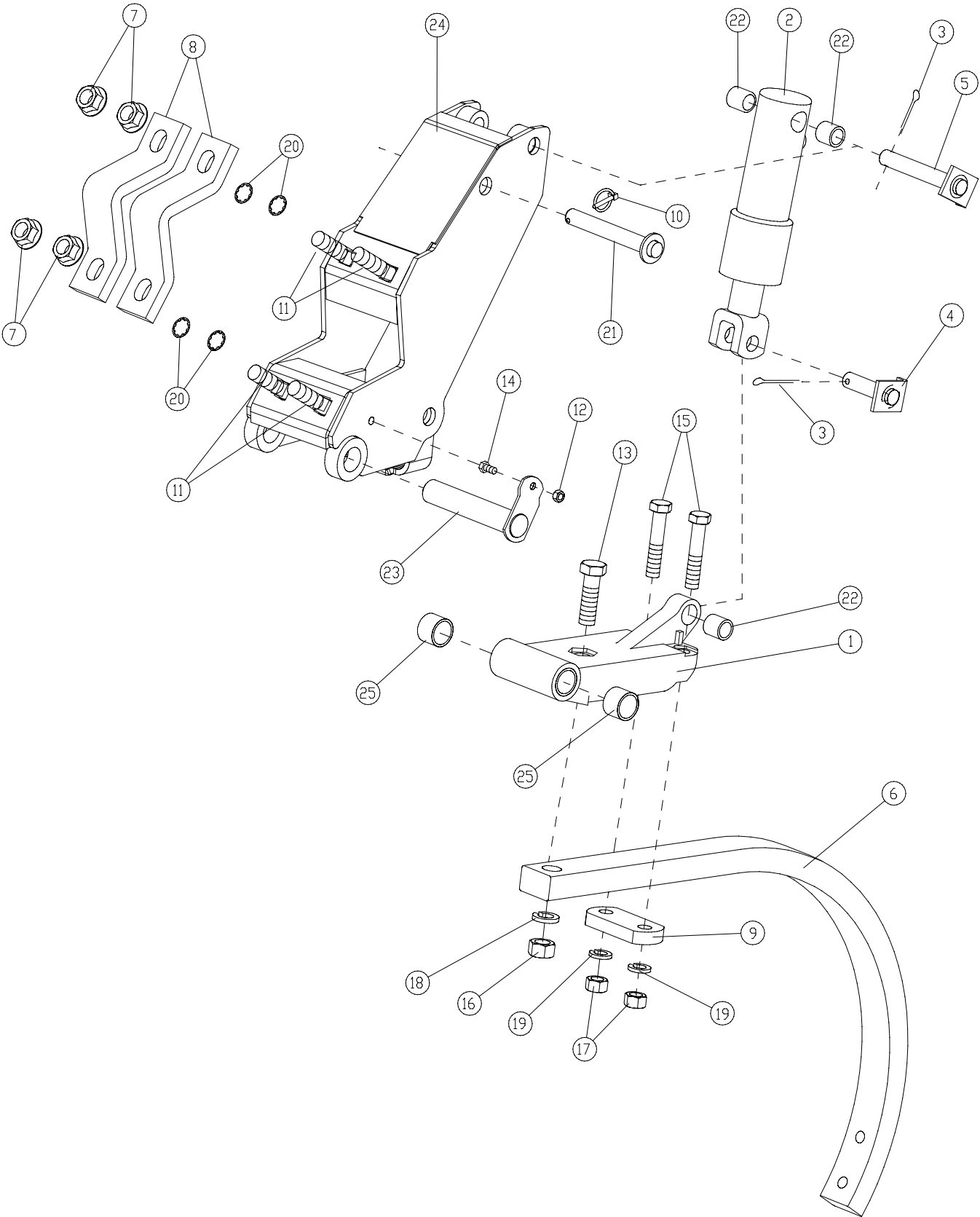
Trip Identification By Item # 25



Trip Assembly - 550 lb Spring Cushion

Item	Part No.	Description	Qty
1	C17394	Shank Holder Assembly	1
2	C18880	Spring Rod	1
3	C24409	Bolt - Spring Rod	1
4	C25648	Lower Spring Pin	1
5	C26529	Shank Pivot Pin	1
6	C34555	Housing	1
7	C33727	Spacer	1
8	S31400	Shank - 1 x 2	1
8A	S32100	Shank - Edge On - 1 x 2 (Not Shown)	1
8B	S47075	Shank - 1 1/4 x 2 (Not Shown)	1
9	C18616	Clamp Strap	1
10	W14434	5/8 Flange Locknut	4
11	C26506	Clamp Strap - Shank	2
12	C34562	5/8 Retaining Ring	4
13	C34426	Compression Spring	1
14	C34561	Carriage Bolt - 5/8 x 3	4
15	C32390	Shank Holder Casting	1
16	W-490	Hex Bolt - 1/2 x 2 1/2 Lg (Used on 1x 2 shanks S31400 and S32100)	2
	W-491	Hex Bolt - 1/2 x 2 3/4 Lg (Used on 1 1/4 x 2 shank S47075)	2
17	F-1767	Hex Bolt - 5/16 x 3/4 Lg	1
18	W-500	Hex Bolt - 5/8 x 2 1/4 (Used on 1x 2 shanks S31400 and S32100)	1
	W-501	Hex Bolt - 5/8 x 2 1/2 (Used on 1 1/4 x 2 shank S47075)	1
19	W-516	Hex Nut - 1/2	2
20	W-517	Hex Nut - 5/8	1
21	C18863	Guide Bushing	1
22	D-5272	Locknut - 5/16 Unitorque	1
23	W-525	Lockwasher - 1/2	2
24	W-526	Lockwasher - 5/8	1
25	S39878	Washer - 13/16 ID x 1 3/4 OD x 3/16	1
26	C18985	Spring Pin Bushing	1
27	C24979	Shank Casting Bushing	2
	C34559	550 lb Trip Assembly - Conventional 1" x 2" Shank (Includes items 1 to 27 except 8A and 8B)	
	C39875	550 lb Trip Assembly - Edge On 1" x 2" Shank (Includes items 1 to 27 except #8 and 8B)	
	C43527	550 lb Trip Assembly - Conventional 1 1/4" x 2" Shank (Includes items 1 to 27 except 8 and 8A)	

Trip Assembly 550 lb Hydraulic Trip

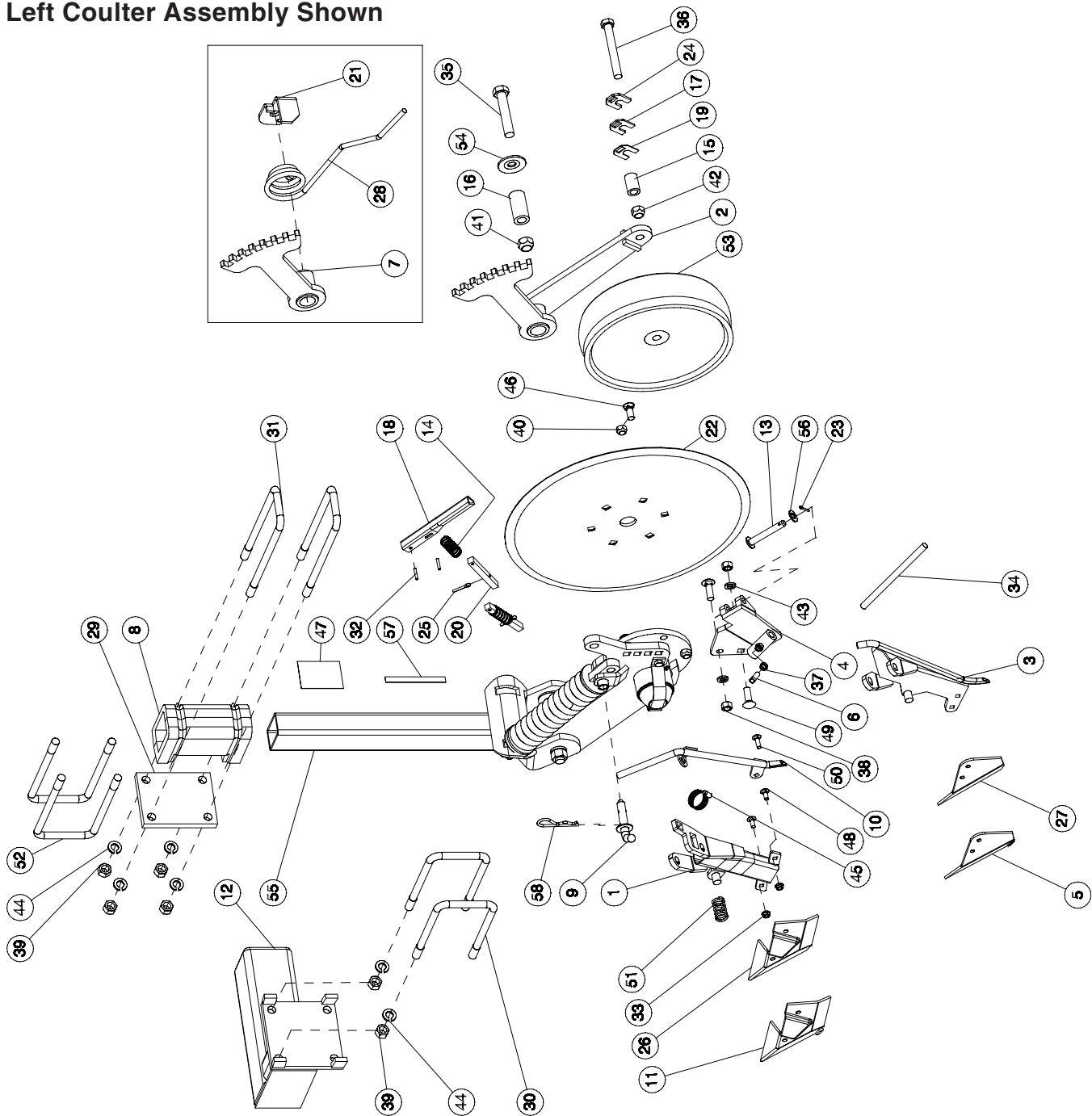


Trip Assembly - 550 lb Hydraulic Trip

Item	Part No.	Description	Qty
1	C17394	Casting - Shank Holder Pivot	1
2	C40081	Cylinder.....	1
	S41661	Seal Kit	
3	W-530	Cotter Pin - 5/32 x 1 Lg.....	2
4	S42079	Clevis Pin - 3/4 x 2 3/16 UL	1
5	S42080	Cylinder Pin - 3/4 x 4 3/8 UL	1
6	S31400	Shank - 1 X 2	1
6A	S32100	Shank - Edge On - 1 x 2 (Not Shown)	1
6B	S47075	Shank - 1 1/4 x 2 (Not Shown)	1
7	W14434	Locknut - 5/8 Flange	4
8	C26506	Clamp Strap - Shank	2
9	C18616	Clamp - Shank Holder	1
10	S42294	Klik Pin.....	1
11	C34561	Carriage Bolt - 5/8 x 3	4
12	C32925	Locknut - 5/16 Center	1
13	W-500	Hex Bolt - 5/8 x 2 1/4 (Used on 1x 2 shanks S31400 and S32100)	1
	W-501	Hex Bolt - 5/8 x 2 1/2 (Used on 1 1/4 x 2 shank S47075)	1
14	F-1767	Hex Bolt - 5/16 x 3/4 LG	1
15	W-490	Hex Bolt - 1/2 x 2 1/2 Lg (Used on 1x 2 shanks S31400 and S32100).....	2
	W-491	Hex Bolt - 1/2 x 2 3/4 Lg (Used on 1 1/4 x 2 shank S47075)	2
16	W-517	Hex Nut - 5/8.....	1
17	W-516	Hex Nut - 1/2.....	2
18	W-526	Lockwasher - 5/8	1
19	W-525	Lockwasher - 1/2	2
20	C34562	Retaining Ring - 5/8	4
21	S42293	Storage Pin	1
22	C18985	Spring Pin Bushing	3
23	C26529	Shank Pivot Pin	1
24	S42496	Mounting Bracket.....	1
25	C24979	Bushing - Shank Casting	2
	S42498	550 lb Hydraulic Trip Assembly - Conventional 1" x 2" Shank (Includes items 1 to 25 except #6A & 6B)	
	S42499	550 lb Hydraulic Trip Assembly - Edge On 1" x 2" Shank (Includes items 1 to 25 except #6 & 6B)	
	C43528	550 lb Hydraulic Trip Assembly - Conventional 1 1/4" x 2" Shank (Includes items 1 to 25 except #6 & 6A)	

Coulters Fertilizer Coultter Assembly

Left Coultter Assembly Shown



IMPORTANT: Item 1 & 10 Dry/NH3 Opener

The dry/NH3 opener is intended to allow the operator the flexibility to switch between granular fertilizer and NH3 without having to change openers. The dry/NH3 opener is not intended to apply granular fertilizer and NH3 in the same operation. Excessive gassing off of the NH3 will occur in such an operation.

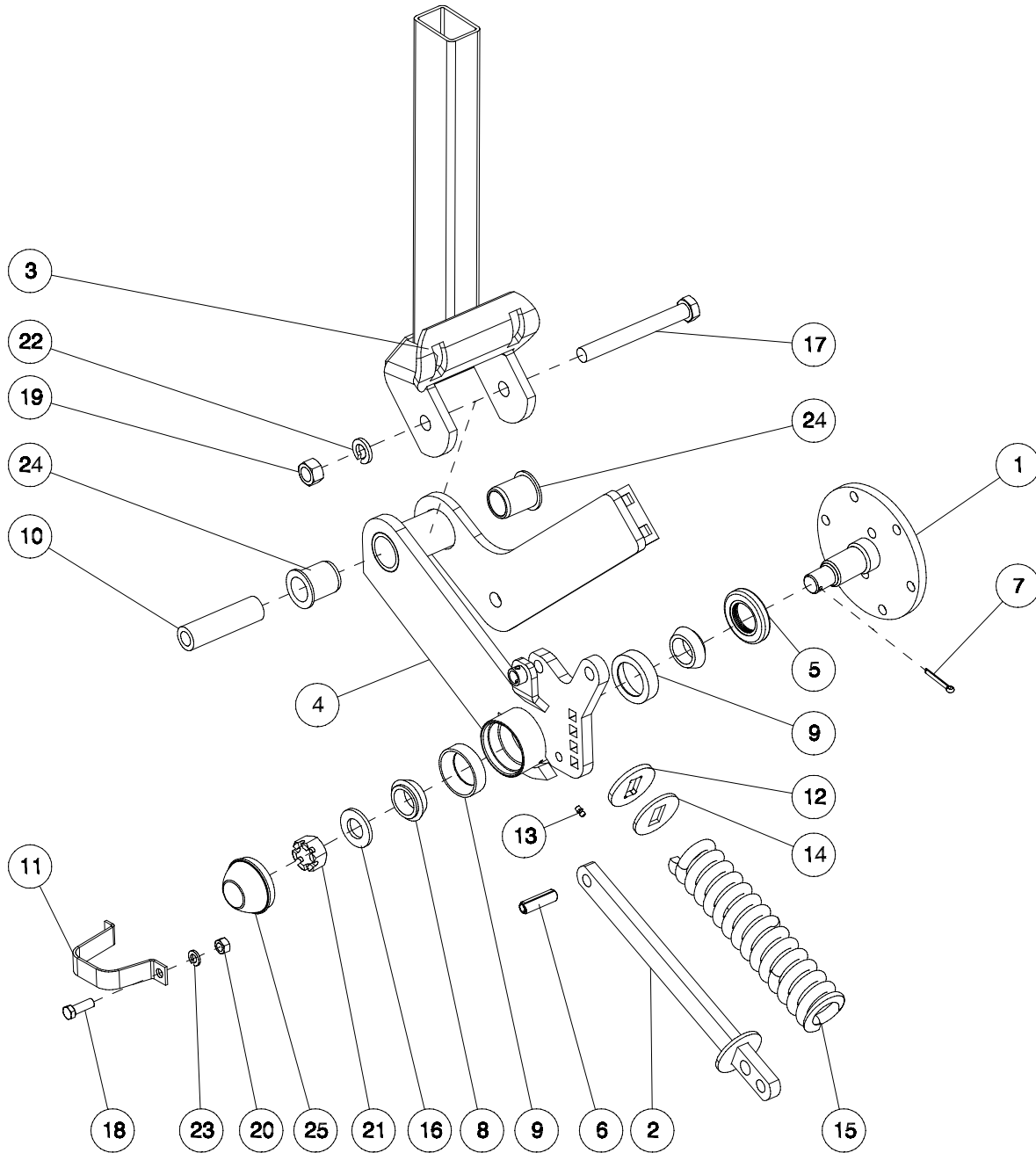
Morris Industries shall have no obligation or liability of any kind on account of end user incorrectly using the Dry/NH3 Opener.

Coulters - Fertilizer Coulters Assembly - Left Shown

Item	Part No.	Description	Qty	Item	Part No.	Description	Qty
1	S32265	Seed Tube - Left Assy - Dry	1	33	D-5278	Flange Locknut - 5/16	2
2	S32356	Seed Tube - Left Assy - Dry	1	34	S33543	Leverage Assist	1
3	S32912	Adjusting Arm - Left	1	35	D-5256	Hex Bolt - 3/4 x 4 Lg	1
4	S32915	Adjusting Arm - Right	1	36	W-506	Hex Bolt - 5/8 x 5 Lg	1
5	S33127	Scraper Arm - Left - NH3	1	37	S-748	Hex Jam Nut - 3/8	1
6	S33142	Scraper Arm - Right - NH3	1	38	W-516	Hex Nut - 1/2	4
7	S33145	Mounting Plate - Left	1	39	W-517	Hex Nut - 5/8	8
8	S32978	Mounting Plate - Right	1	40	F-3405	Locknut - 1/2 Unitorque	6
9	S42355	Scraper - Carbide - Left - NH3	1	41	D-5273	Locknut - 3/4 Unitorque	1
10	S42304	Scraper - Carbide - Right - NH3	1	42	S-1197	Locknut - 5/8 Unitorque	1
11	S33693	Set Screw - 3/8 x 1 1/4 Lg	1	43	W-525	Lockwasher - 1/2	4
12	S34189	Disc Tine Adjusting Arm	1	44	W-526	Lockwasher - 5/8	8
13	S34524	Slide Mounting Bracket	1	45	S33599	Hose Clamp	1
14	S34545	Pin - Spring Rod	1	46	S31930	Plow Bolt - 1/2 x 1-1/4 Lg	6
15	S37507	Liquid/NH3 Double Shoot Tube - Left	1	47	S33341	Decal - Working Depth	1
16	S37508	Liquid/NH3 Double Shoot Tube - Right	1	48	D-5259	Carriage Bolt - 5/16 x 3/4 Lg	2
17	S39551	Scraper - Carbide - Left - Dry	1	49	H-4584	Carriage Bolt - 1/2 x 1 1/2 Lg	2
18	S39552	Scraper - Carbide - Right - Dry	1	50	S33420	Carriage Bolt - 5/16 x 1 Lg	1
19	S39926	Extension Stub	1	51	S33146	Spring - 1.020 OD x 2.25 Lg	1
20	W15513	Lock Pin	1	52	S33786	U-Bolt - 5/8 x 4 x 9	2
21	S31446	Spring - Compression	2	53	S31943	Soil Retaining Wheel	1
22	S33147	Bushing - 1 OD x 0.627 ID	1	54	S32745	Spring Washer - 3/4	1
23	S32751	Bushing - 1 1/4 OD x 0.750 ID	1	55	*****	Sub Assembly #2 - Left	1
24	S34529	Shim - 1/8	1	56	S-1925	Flatwasher - 17/32 ID x 1 OD x 13 Ga	1
25	S32115	Adjusting Lever	1	57	S33340	Decal - Depth Indicator	1
26	S34528	Shim - 1/16	1	58	BW-11	Hairpin - 3/16	1
27	S32985	Rod - Push - Lock - 1/2 Sq	2				
28	S34187	Tine Retainer - Left Assembly	1				
29	S34186	Tine Retainer - Right Assembly	1				
30	S34199	Coulter Disc - 20 Dia	1				
31	W-528	Cotter Pin - 1/8 x 1 Lg	1				
32	S34530	Shim - 3/16	1				
33	S-531	Cotter Pin - 3/16 x 1 Lg	2				
34	S32998	Scraper - Left - Dry	1				
35	S32988	Scraper - Right - Dry	1				
36	S33141	Scraper - Left - NH3	1				
37	S33140	Scraper - Right - NH3	1				
38	S34183	Disc Tine - Left Assembly	1				
39	S34184	Disc Tine - Right Assembly	1				
40	S32987	Plate	1				
41	P65286	U-Bolt - 5/8 x 4-1/16 x 8	2				
42	S39100	U-Bolt - 5/8 x 2-13/16 x 11	2				
43	S-3001	Spring Pin - 3/16 x 1	2				

(Order Kits through wholegoods order desk only)

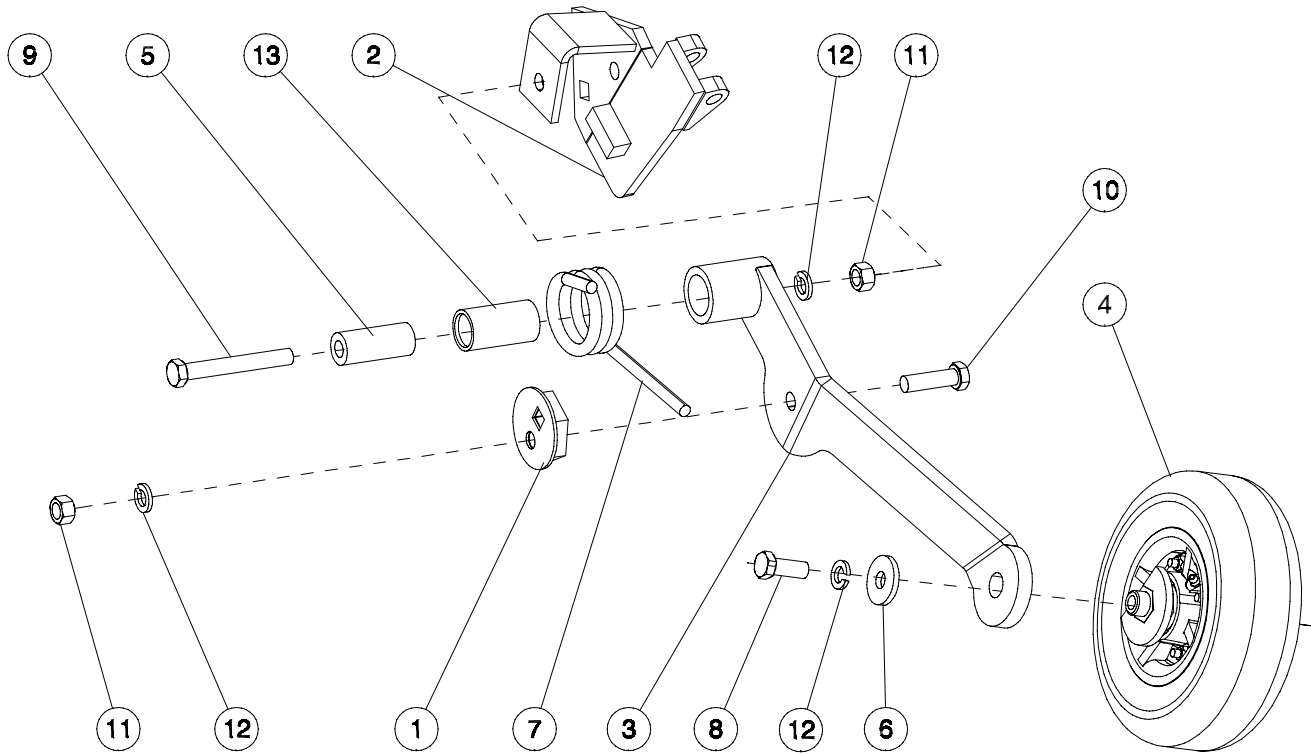
Coulters Fertilizer Coulters Sub-Assembly



Coulters - Fertilizer Coulter Sub-Assembly

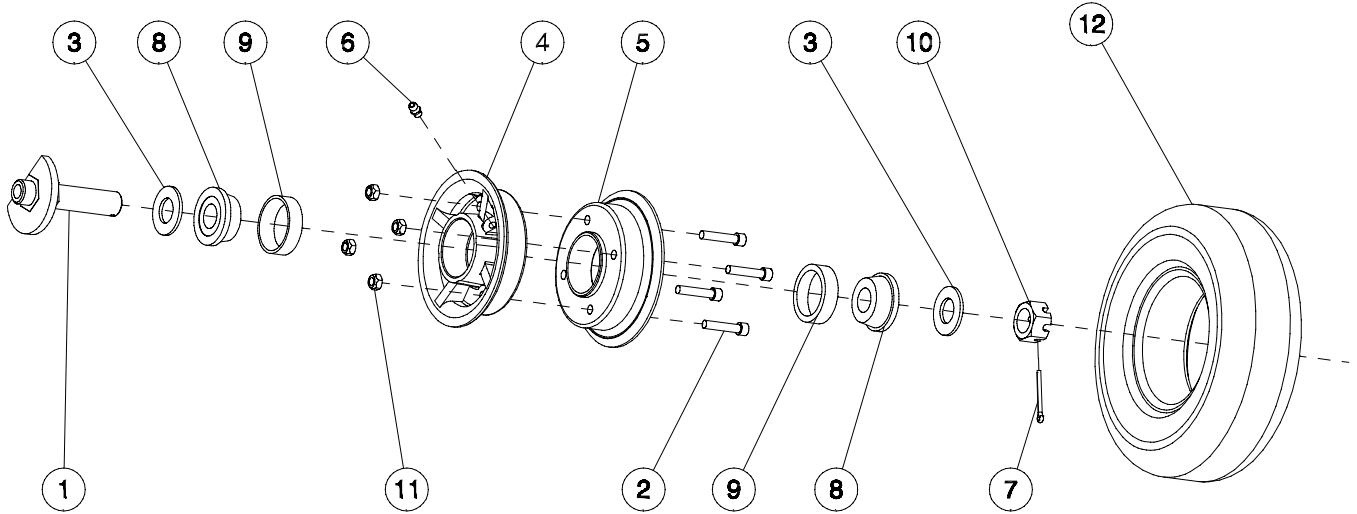
Item	Part No.	Description	Qty
1	S32909	Spindle	1
2	S33106	Spring Rod	1
3	S33134	Main Pivot Bracket	1
4	S33139	Pivot Bracket - Left	1
4A	S33129	Pivot Bracket - Right	1
5	S34533	Triple Lip Seal - 1 5/8	1
6	S34544	Spiral Pin - 5/8 x 2	1
7	W-1416	Cotter Pin - 3/16 x 1	1
8	W-1474	Bearing Cone - LM48548	2
9	W-1537	Bearing Cup - LM48510	2
10	S32971	Spacer Bushing	1
11	S33470	Dust Cap Retainer	1
12	S33138	Wear Washer	1
13	S-752	Grease Fitting - 1/4 Straight	1
14	S33112	Backing Plate	1
15	S27985	Coulter Spring	1
16	C-3258	Flatwasher - 1	1
17	C-3525	Hex Bolt - 3/4 x 6 1/2 Lg	1
18	W-483	Hex Bolt - 7/16 x 1 1/4 Lg - Full Thread	1
19	W-518	Hex Nut - 3/4	1
20	W-515	Hex Nut - 7/16	1
21	S-1311	Hex Slotted Nut - 1	1
22	W-527	Lockwasher - 3/4	1
23	W-524	Lockwasher - 7/16	1
24	C18510	Bushing - Nylon	2
25	C-1522	Dust Cap	1

Coulters Fertilizer Coulters - Optional Closing Wheel



Item	Part No.	Description	Qty
1	S34653	Adjusting Block	1
2	S34772	Mounting Plate - Left	1
2A	S34773	Mounting Plate - Right	1
3	S34780	Closing Wheel Arm - Left	1
3A	S34781	Closing Wheel Arm - Right	1
4	S39560	Pincher Wheel Assembly (see next Page for parts list)	1
5	S34785	Bushing - 1 OD x 0.510 ID	1
6	C-333	Hose Holder Washer	1
7	S31484	Torque Spring - Left Hand	1
7A	S31921	Torque Spring - Right Hand	1
8	W-485	Hex Bolt - 1/2 x 1 1/4 Lg - Full Thread	1
9	W-494	Hex Bolt - 1/2 x 3 3/4 Lg	1
10	W-487	Hex Bolt - 1/2 x 1 3/4 Lg	1
11	W-516	Hex Nut - 1/2	2
12	W-525	Lockwasher - 1/2	3
13	S34786	Bushing - Nylatron	1
	S38678	Kit - Closing Wheel - Left	
	S38679	Kit - Closing Wheel - Right	

Coulters Closing Wheel - Pincher Wheel



Item	Part No.	Description	Qty
1	S39558	Spindle Weldment	1
2	S40511	Socket Head Capscrew - 1/4 x 1 1/4 Lg	4
3	S39559	Washer	2
4	S34522	Split Rim - Pincher Wheel	1
5	S34523	Split Rim - Pincher Wheel	1
6	S-752	Grease Zerk - 1/4 Straight	1
7	W-529	Cotter Pin - 1/8 x 1 1/4 Lg	1
8	S33449	Bearing Cone W/ Seal C/W Cup	2
9	W-88	Bearing Cup	2
10	W-94	Hex Slotted Nut - 3/4-16 UNF	1
11	N22778	Nylon Insert Hex Locknut	4
12	S31935	8 1/4 x 2 3/4 Solid Tire	1
	S39560	Pincher Wheel Assembly	

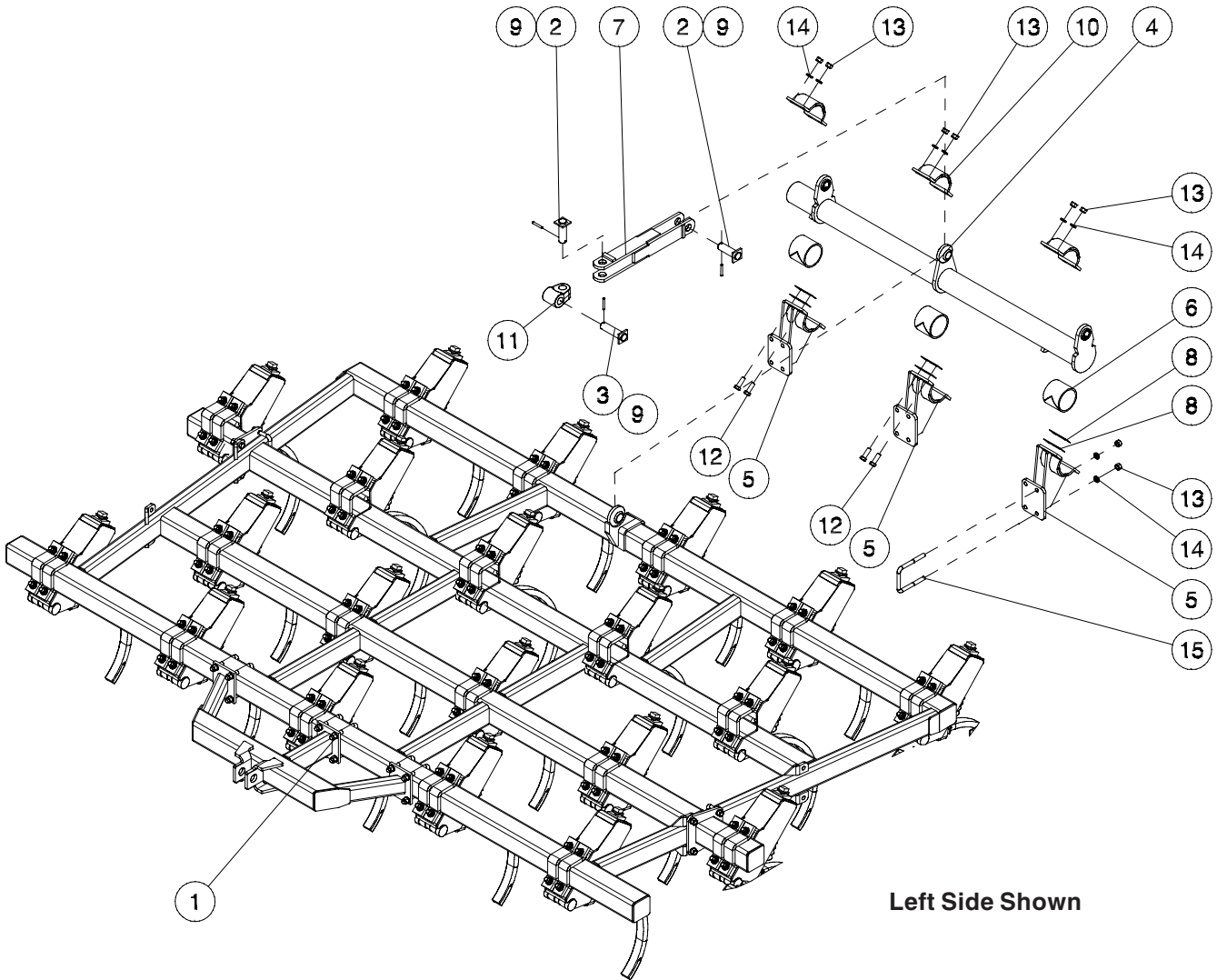
Notes

Section 6: Rocker Tube Assembly

Section Contents

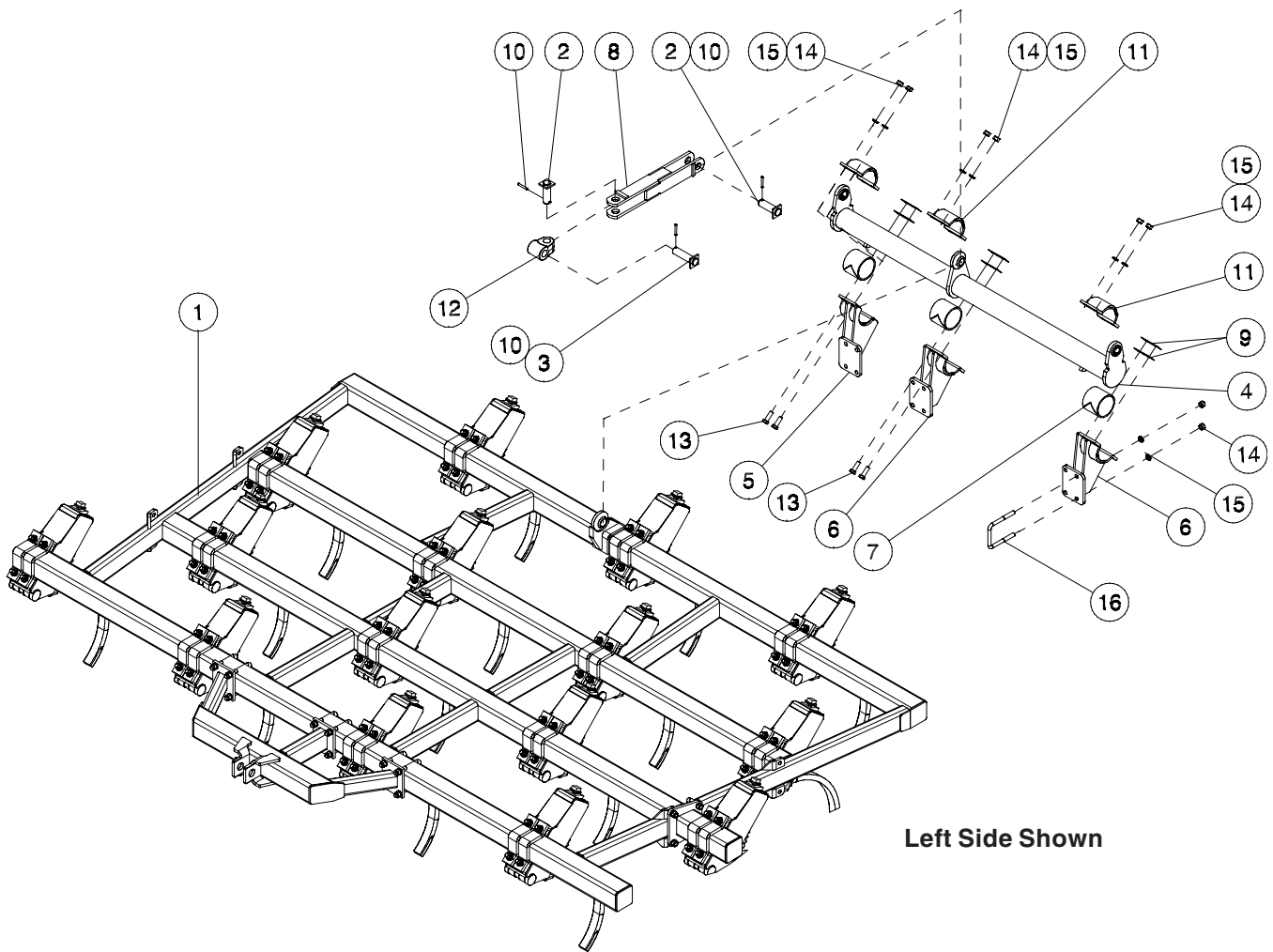
40 ft - 7 1/2 Spacing	6-2
40 ft - 10 Spacing	6-3
40 ft - 12 Spacing	6-4
50 ft - 7 1/2 Spacing	6-5
50 ft - 10 Spacing - Prior to January 2006	6-6
50 ft - 10 Spacing	6-7
50 ft - 12 Spacing	6-8
60 ft - 7 1/2 Spacing	6-9
60 ft - 10 Spacing	6-10
60 ft - 12 Spacing	6-11

Rocker Tubes Assembly 40 ft - 7 1/2 Spacing



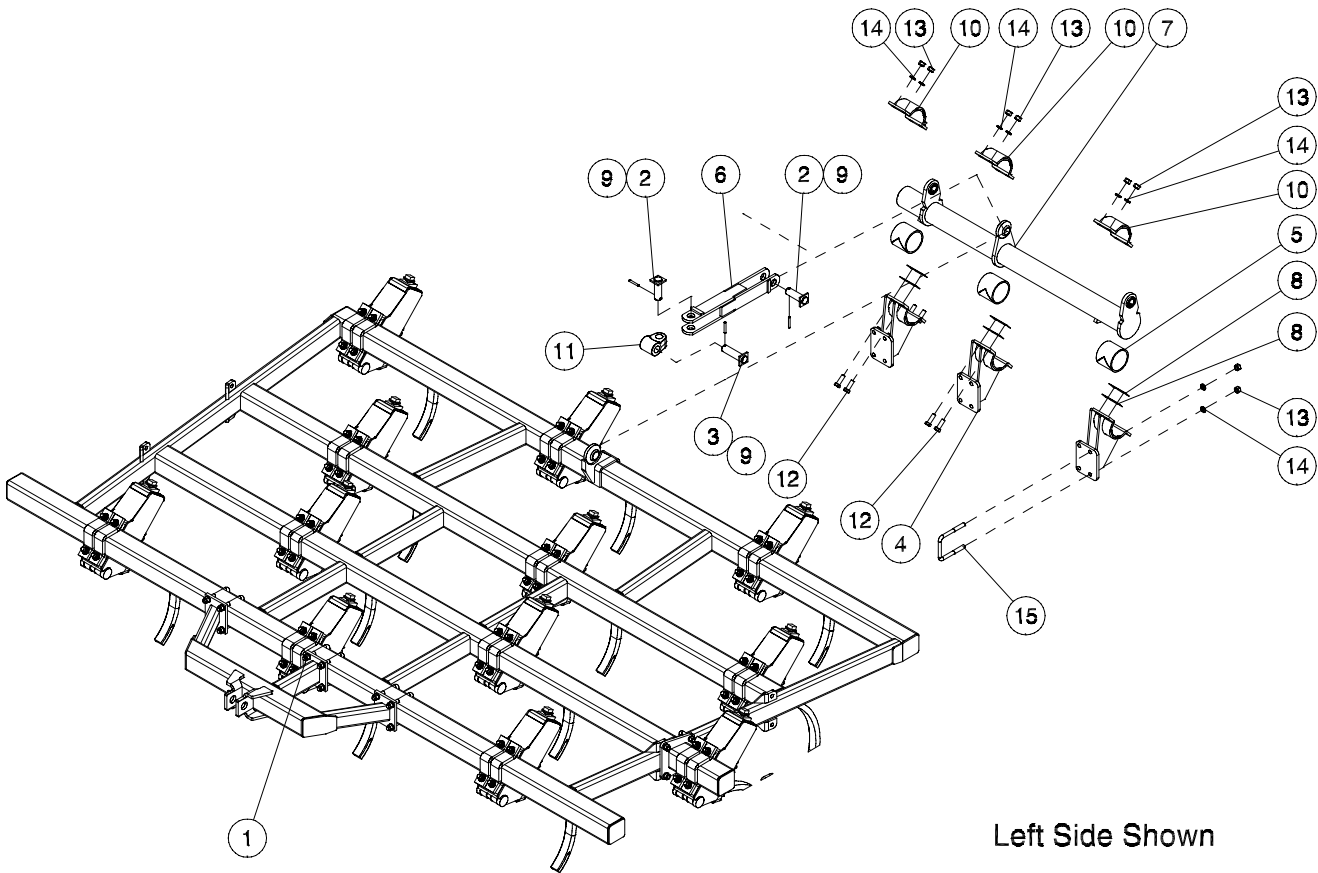
Item	Part No.	Description	Qty
1	*****	Wing	1
2	S42783	Pin - 1 1/4 Dia x 3 1/16 UL.....	2
3	S42785	Pin - 1 1/4 Dia x 4 1/16 UL.....	1
4	S39226	Rocker Tube - Inner Wing	1
5	S39231	Mounting Bracket - LH	3
6	S39275	Nylon Bearing Strap	3
7	S39355	Strap - Rear Link.....	2
8	S39360	Shim - Torque Tube.....	6
9	D-5244	Spring Pin - 1/4 x 2 Lg	3
10	S39140	Clamp Strap - Torque Tube	3
11	S39335	Cast Pivot Knuckle	1
12	W-498	Hex Bolt - 5/8 x 1 3/4 Lg	12
13	W-517	Hex Nut - 5/8	24
14	W-526	Lockwasher - 5/8	24
15	C-219	U-Bolt - 5/8 x 4 x 5 9/16.....	6

Rocker Tubes Assembly 40 ft - 10 Spacing



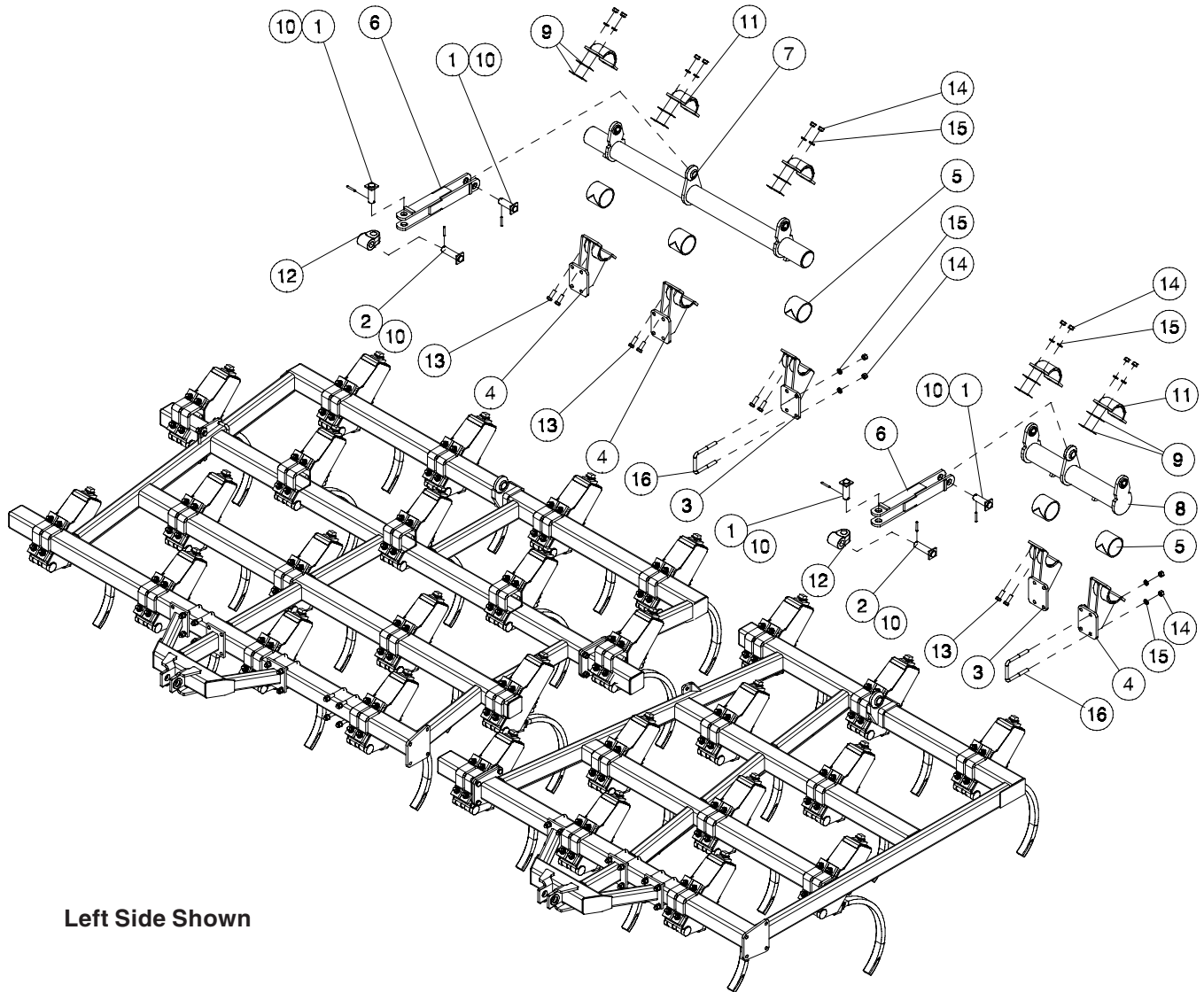
Item	Part No.	Description	Qty
1	*****	Wing	1
2	S42783	Pin - 1 1/4 Dia x 3 1/16 UL	2
3	S42785	Pin - 1 1/4 Dia x 4 1/16 UL	1
4	S39225	Torque Tube - Inner Wing	1
5	S39230	Mounting Bracket - RH	1
6	S39231	Mounting Bracket - LH	2
7	S39275	Nylon Bearing Strap	3
8	S39355	Strap - Rear Link	1
9	S39360	Shim - Torque Tube	6
10	D-5244	Spring Pin - 1/4 x 2 Lg	3
11	S39140	Clamp Strap - Torque Tube	3
12	S39335	Cast Pivot Knuckle	1
13	W-498	Hex Bolt - 5/8 x 1 3/4 Lg	12
14	W-517	Hex Nut - 5/8	24
15	W-526	Lockwasher - 5/8	24
16	C-219	U-Bolt - 5/8 x 4 x 5 9/16	6

Rocker Tube 40 ft - 12 Spacing



Item	Part No.	Description	Qty
1	*****	Wing	1
2	S42783	Pin - 1 1/4 Dia x 3 1/16 UL	2
3	S42785	Pin - 1 1/4 Dia x 4 1/16 UL	1
4	S39231	Mounting Bracket - LH	3
5	S39275	Nylon Bearing Strap	3
6	S39355	Strap - Rear Link	1
7	S39803	Rocker Tube - Inner Wing	1
8	S39360	Shim - Torque Tube	6
9	D-5244	Spring Pin - 1/4 x 2 Lg	3
10	S39140	Clamp Strap - Torque Tube	3
11	S39335	Cast Pivot Knuckle	1
12	W-498	Hex Bolt - 5/8 x 1 3/4 Lg	12
13	W-517	Hex Nut - 5/8	24
14	W-526	Lockwasher - 5/8	24
15	C-219	U-Bolt - 5/8 x 4 x 5 9/16	6

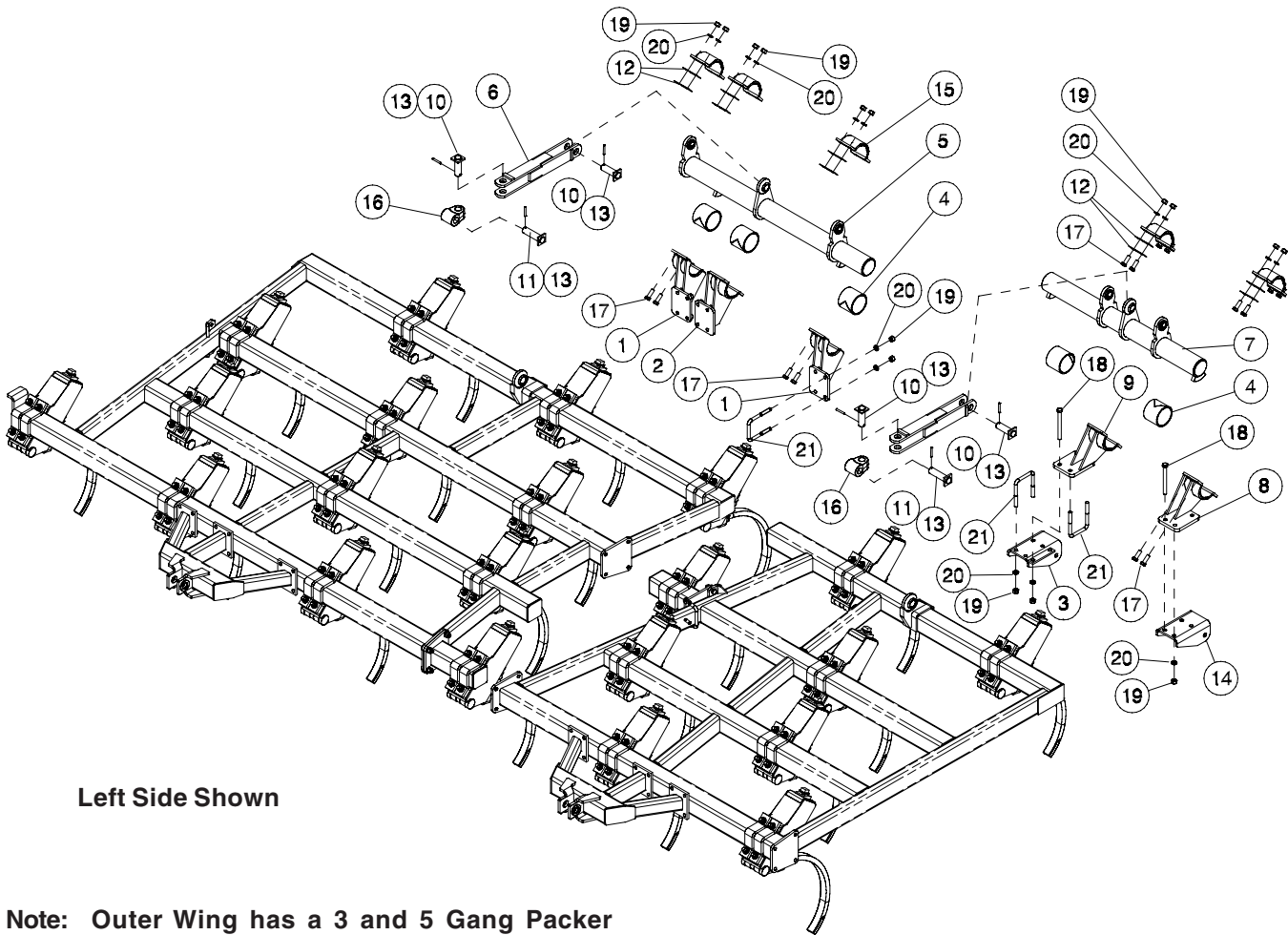
Rocker Tube 50 ft - 7 1/2 Spacing



Left Side Shown

Item	Part No.	Description	Qty
1	S42783	Pin - 1 1/4 Dia x 3 1/16 UL	4
2	S42785	Pin - 1 1/4 Dia x 4 1/16 UL	2
3	S39230	Mounting Bracket - RH	2
4	S39231	Mounting Bracket - LH	3
5	S39275	Nylon Bearing Strap	5
6	S39355	Strap - Rear Link	2
7	S39699	Torque Tube - Inner Wing	1
8	S39716	Torque Tube - Outer Wing	1
9	S39360	Shim - Torque Tube	10
10	D-5244	Spring Pin - 1/4 x 2 Lg	6
11	S39140	Clamp Strap - Torque Tube	5
12	S39335	Cast Pivot Knuckle	2
13	W-498	Hex Bolt - 5/8 x 1 3/4 Lg	20
14	W-517	Hex Nut - 5/8	40
15	W-526	Lockwasher - 5/8	40
16	C-219	U-Bolt - 5/8 x 4 x 5 9/16	10

Rocker Tube 50 ft - 10 Spacing - Prior to January 2006



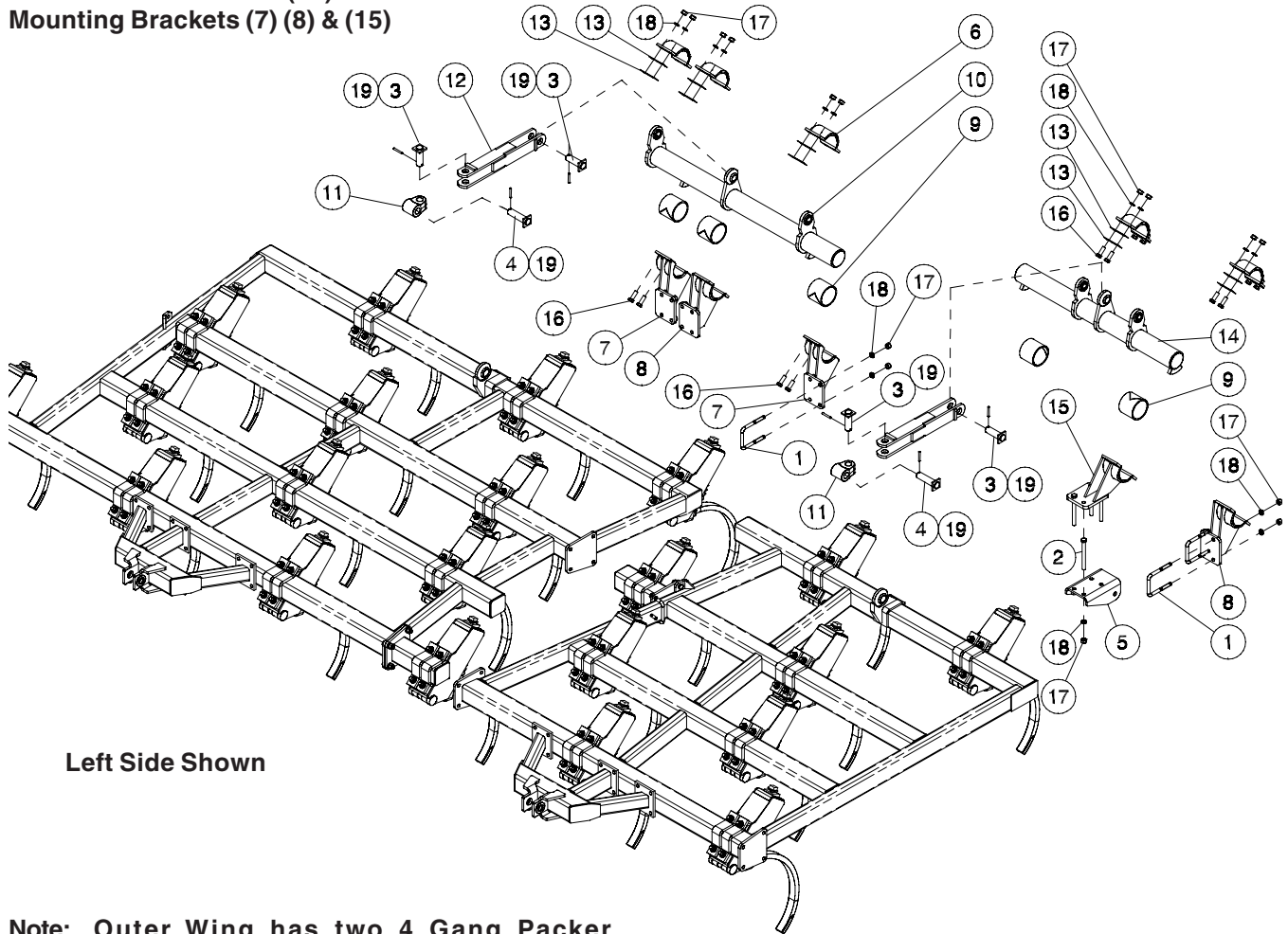
Left Side Shown

Note: Outer Wing has a 3 and 5 Gang Packer Assembly.

Item	Part No.	Description	Qty
1	S39230	Mounting Bracket RH	2
2	S39231	Mounting Bracket LH	1
3	S39269	Bracket Packer Fork Extended RH	1
4	S39275	Nylon Bearing Strap	5
5	S39303	Torque Tube Outer Wing	1
6	S39355	Strap Rear Link	2
7	S39850	Rocker Tube Outer Wing	1
8	S39866	Top Mounting Bracket - 50 ft 10 Spacing - RH	1
9	S39930	Top Mounting Bracket - 50 ft 10 Spacing - LH	1
10	S42783	Pin - 1 1/4 Dia x 3 1/16 UL	4
11	S42785	Pin - 1 1/4 Dia x 4 1/16 UL	2
12	S39360	Shim Torque Tube	10
13	D-5244	Spring Pin - 1/4 x 2 Lg	6
14	S39038	Bracket Packer Fork Mount	2
15	S39140	Clamp Strap Torque Tube	5
16	S39335	Cast Pivot Knuckle	2
17	W-498	Hex Bolt - 5/8 x 1 3/4 Lg	20
18	C-508	Hex Bolt - 5/8 x 6 1/2 Lg	6
19	W-517	Hex Nut - 5/8	42
20	W-526	Lockwasher - 5/8	42
21	C-219	U-Bolt - 5/8 x 4 x 5 9/16	8

Rocker Tube 50 ft - 10 Spacing

Assemble both shims (13) to front of
Mounting Brackets (7) (8) & (15)

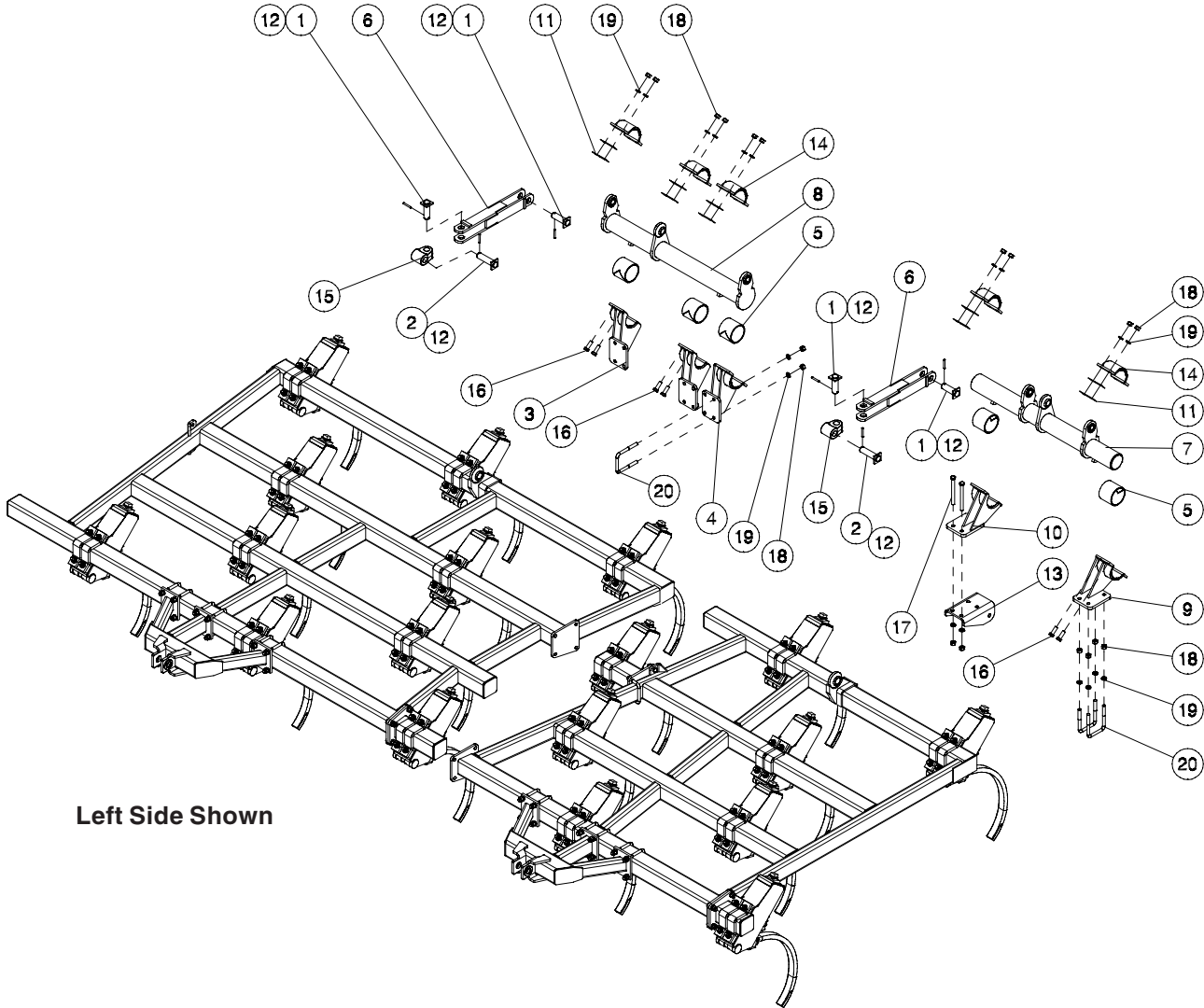


Left Side Shown

Note: Outer Wing has two 4 Gang Packer Assemblies.

Item	Part No.	Description	Qty
1	C-219	U-Bolt - 5/8 x 4 x 5 9/16.....	8
2	C-508	Hex Bolt - 5/8 x 6 1/2 Lg.....	4
3	S42783	Pin - 1 1/4 Dia x 3 1/16 UL.....	4
4	S42785	Pin - 1 1/4 Dia x 4 1/16 UL.....	2
5	S39038	Bracket - Packer Fork Mount.....	1
6	S39140	Clamp Strap - Torque Tube.....	5
7	S39230	Mounting Bracket - RH.....	2
8	S39231	Mounting Bracket - LH.....	2
9	S39275	Nylon Bearing Strap.....	5
10	S39303	Torque Tube - Outer Wing.....	1
11	S39335	Cast Pivot Knuckle.....	2
12	S39355	Strap - Rear Link.....	2
13	S39360	Shim - Torque Tube.....	14
14	S39850	Rocker Tube - Outer Wing.....	1
15	S39988	Mounting Bracket - LH.....	1
	S39989	Mounting Bracket - RH.....	1
16	W-498	Hex Bolt - 5/8 x 1 3/4 Lg.....	20
17	W-517	Hex Nut - 5/8.....	40
18	W-526	Lockwasher - 5/8.....	40
19	D-5244	Spring Pin - 1/4 x 2 Lg.....	6

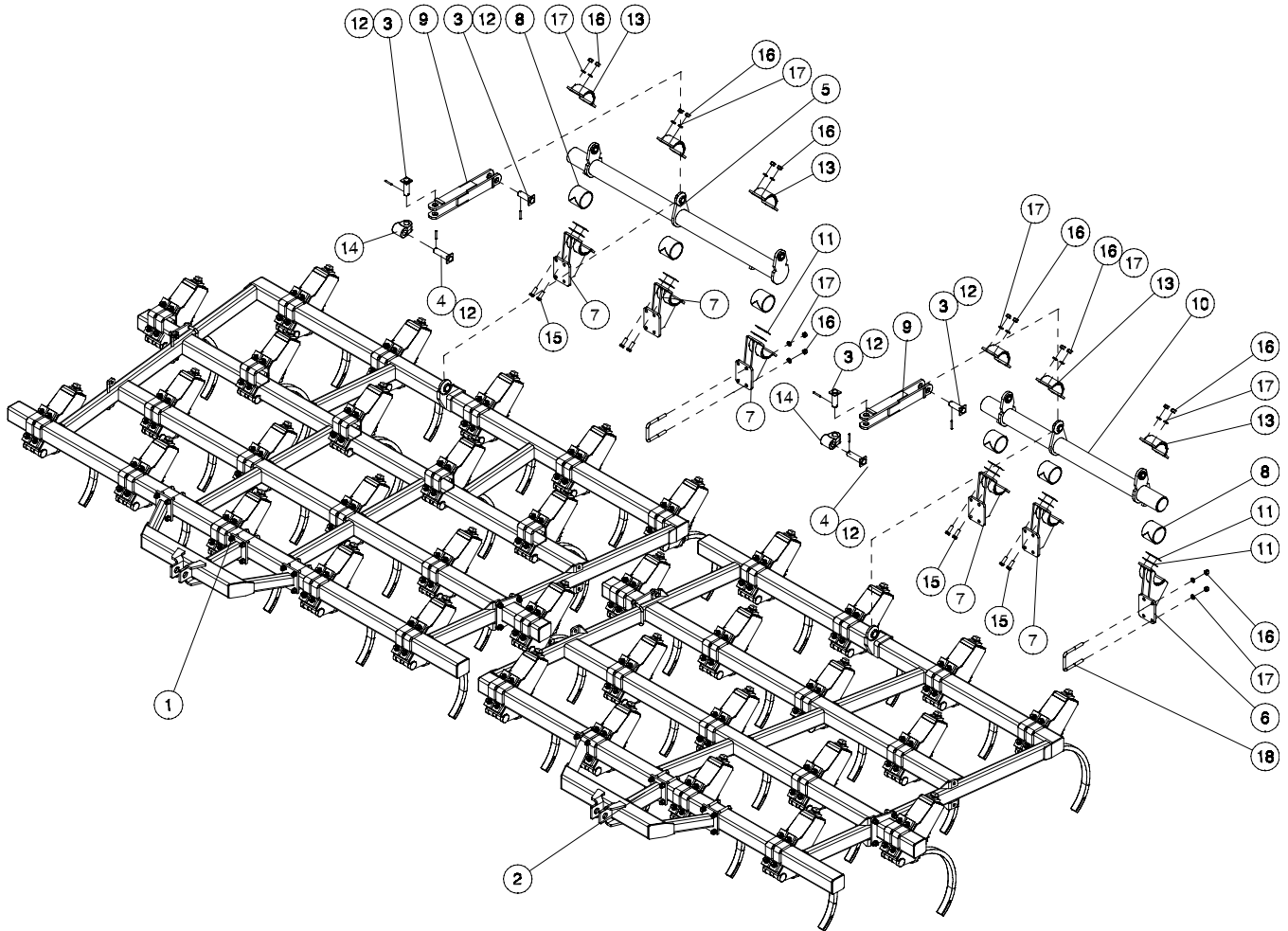
Rocker Tube 50 ft - 12 Spacing



Left Side Shown

Item	Part No.	Description	Qty
1	S42783	Pin - 1 1/4 Dia x 3 1/16 UL	4
2	S42785	Pin - 1 1/4 Dia x 4 1/16 UL	2
3	S39230	Mounting Bracket - RH	2
4	S39231	Mounting Bracket - LH	1
5	S39275	Nylon Bearing Strap	5
6	S39355	Strap - Rear Link	2
7	S39833	Torque Tube - Outer Wing	1
8	S39861	Torque Tube - Inner Wing	1
9	S39866	Top Mounting Bracket 50 ft - 10 Spacing - RH	1
10	S39930	Top Mounting Bracket 50 ft - 10 Spacing - LH	1
11	S39360	Shim - Torque Tube	10
12	D-5244	Spring Pin - 1/4 x 2 Lg	6
13	S39038	Bracket - Packer Fork Mount	1
14	S39140	Clamp Strap - Torque Tube	5
15	S39335	Cast Pivot Knuckle	2
16	W-498	Hex Bolt - 5/8 x 1 3/4 Lg	20
17	C-508	Hex Boxt - 5/8 x 6 1/2 Lg	4
18	W-517	Hex Nut - 5/8	40
19	W-526	Lockwasher - 5/8	40
20	C-219	U-Bolt - 5/8 x 4 x 5 9/16	8

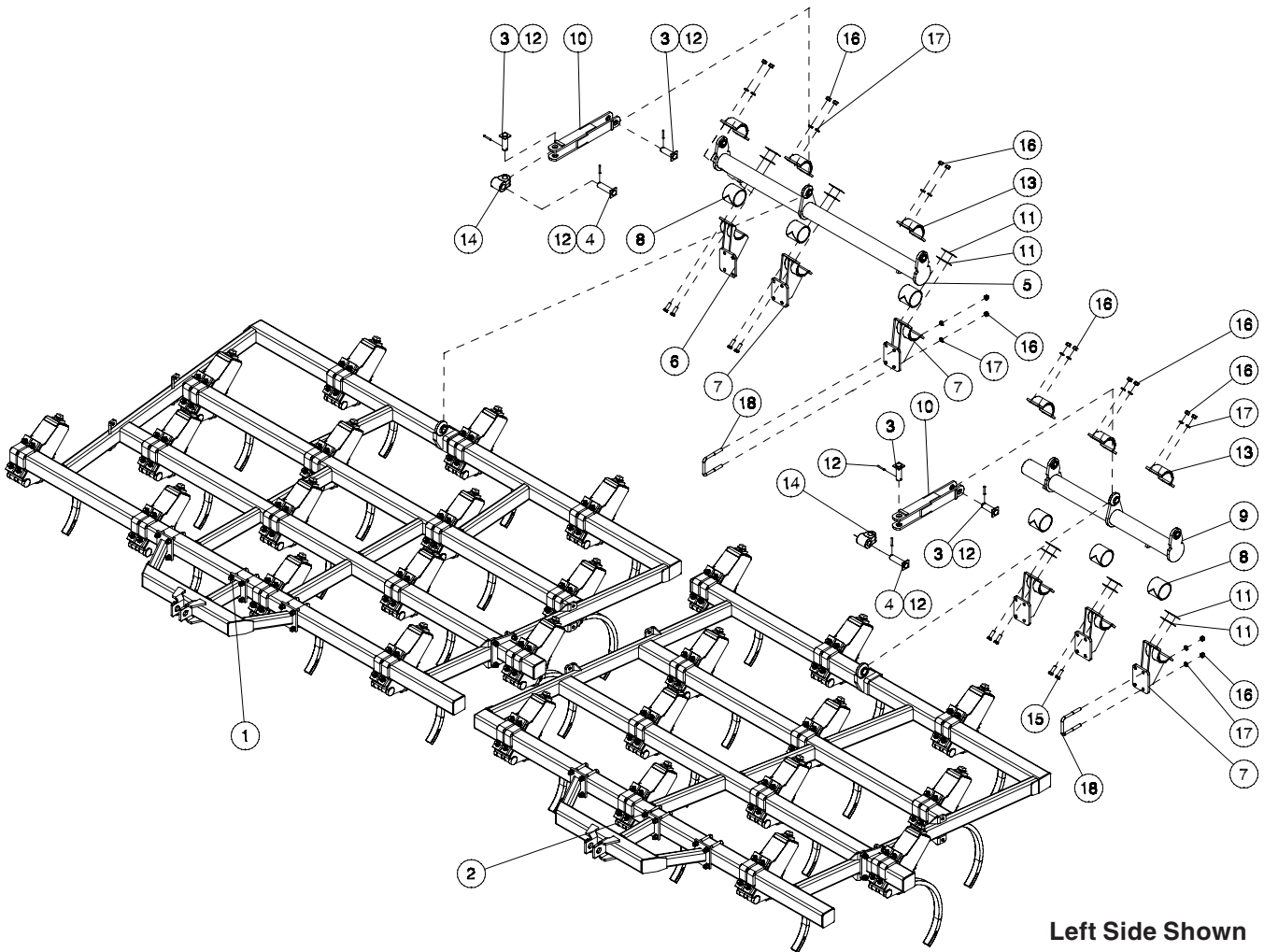
Rocker Tube 60 ft - 7 1/2 Spacing



Left Side Shown

Item	Part No.	Description	Qty
1	*****	Inner Wing	1
2	*****	Outer Wing	1
3	S42783	Pin - 1 1/4 Dia x 3 1/16 UL	4
4	S42785	Pin - 1 1/4 Dia x 4 1/16 UL	2
5	S39226	Rocker Tube - Inner Wing	1
6	S39230	Mounting Bracket - RH	1
7	S39231	Mounting Bracket - LH	5
8	S39275	Nylon Bearing Strap	6
9	S39355	Strap - Rear Link	2
10	S39384	Torque Tube - Outer Wing	1
11	S39360	Shim - Torque Tube	12
12	D-5244	Spring Pin - 1/4 x 2 Lg	6
13	S39140	Clamp Strap - Torque Tube	6
14	S39335	Cast Pivot Knuckle	2
15	W-498	Hex Bolt - 5/8 x 1 3/4 Lg	24
16	W-517	Hex Nut - 5/8	48
17	W-526	Lockwasher - 5/8	48
18	C-219	U-Bolt - 5/8 x 4 x 5 9/16	12

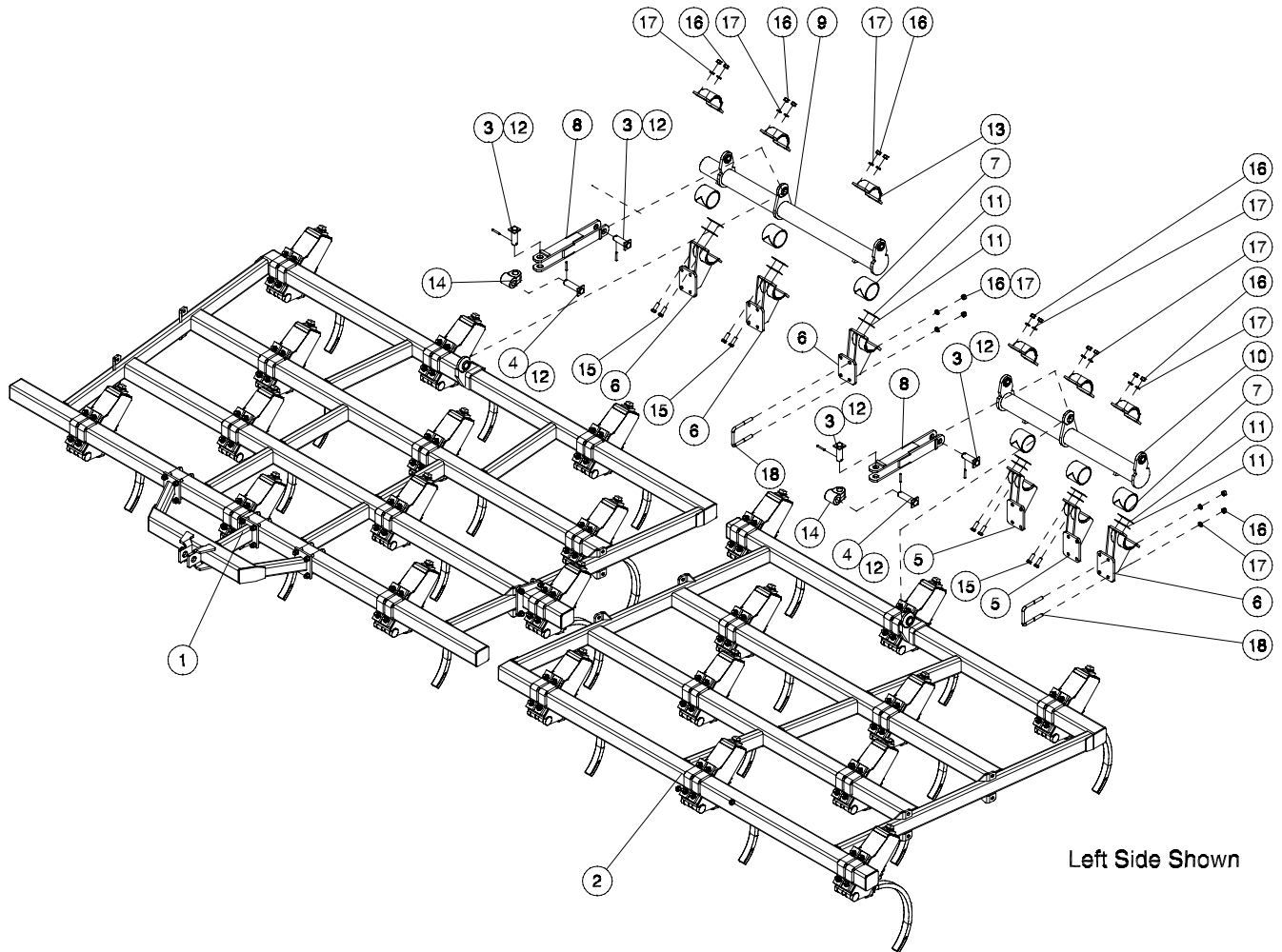
Rocker Tube 60 ft - 10 Spacing



Left Side Shown

Item	Part No.	Description	Qty
1	*****	Inner Wing	1
2	*****	Outer Wing	1
3	S42783	Pin - 1 1/4 Dia x 3 1/16 UL	4
4	S42785	Pin - 1 1/4 Dia x 4 1/16 UL	2
5	S39225	Torque Tube - Inner Wing	1
6	S39230	Mounting Bracket - RH	1
7	S39231	Mounting Bracket - LH	5
8	S39275	Nylon Bearing Strap	6
9	S39303	Torque Tube - Outer Wing	1
10	S39355	Strap - Rear Link	2
11	S39360	Shim - Torque Tube	12
12	D-5244	Spring Pin - 1/4 x 2 Lg	6
13	S39140	Clamp Strap - Torque Tube	6
14	S39335	Cast Pivot Knuckle	2
15	W-498	Hex Bolt - 5/8 x 1 3/4 Lg	24
16	W-517	Hex Nut - 5/8	48
17	W-526	Lockwasher - 5/8	48
18	C-219	U-Bolt - 5/8 x 4 x 5 9/16	12

Rocker Tube 60 ft - 12 Spacing



Item	Part No.	Description	Qty
1	*****	Inner Wing	1
2	*****	Outer Wing	1
3	S42783	Pin - 1 1/4 Dia x 3 1/16 UL	4
4	S42785	Pin - 1 1/4 Dia x 4 1/16 UL	2
5	S39230	Mounting Bracket - RH	2
6	S39231	Mounting Bracket - LH	4
7	S39275	Nylon Bearing Strap	6
8	S39355	Strap - Rear Link	2
9	S39803	Rocker Tube - Inner Wing	1
10	S39805	Torque Tube - Outer Wing	1
11	S39360	Shim - Torque Tube	12
12	D-5244	Spring Pin - 1/4 x 2 Lg	6
13	S39140	Clamp Strap - Torque Tube	6
14	S39335	Cast Pivot Knuckle	2
15	W-498	Hex Bolt - 5/8 x 1 3/4 Lg	24
16	W-517	Hex Nut - 5/8	48
17	W-526	Lockwasher - 5/8	48
18	C-219	U-Bolt - 5/8 x 4 x 5 9/16	12

Section 7: Equalizer Assembly

Section Contents

Equalizer Arms	7-2
Table 1 - Arm Mounting and Equalization Tube Length	7-2
Table 2 - Arm Mounting Bracket Requirements	7-3
Main Frame - 3 Packer Gang	7-4
Main Frame - 4 Packer Gang	7-6
Wing Frame - 2 Packer Gang	7-8
Wing Frame - 3 Packer Gang	7-10
Wing Frame - 4 Packer Gang	7-12
Turnbuckles	7-14
Control Arm Assembly	7-16

Equalizers Equalizer Arms

Table 1 - Arm Mounting and Equalization Tube Length

Equalizer Tubes Cross Reference			
Equalizer Tube Length (in)	Part Number	Equalizer Tube Length (in)	Part Number
40	S39274	59 7/8	S39853
48	S39176	64 3/8	S39874
52	S39854	72	S39814
56	S39859		

Equalizer Arm Assembly and Equalization Tube Length (in)														
Size (ft)	Spacing (in)	LH Outer Wing		LH Inner Wing			Main Frame		RH Inner Wing			RH Outer Wing		
		2 Gang	3 Gang	2 Gang	3 Gang	4 Gang	3 Gang	4 Gang	2 Gang	3 Gang	4 Gang	2 Gang	3 Gang	
40	7 1/2		48	48	48	59 7/8	59 7/8				48	48		
	10			48	48		52	52			48	48		
	12		48	48	64 3/8	64 3/8					48	48		
50	7 1/2	48		40	40	59 7/8	59 7/8				40	40		48
	10	48		48	40		52	52			40	48		48
	12	56			72	64 3/8	64 3/8				72			56
60	7 1/2		40	48	48	59 7/8	59 7/8				48	48		40
	10		40				52	52						40
	12	72		48	48	64 3/8	64 3/8				48	48		72

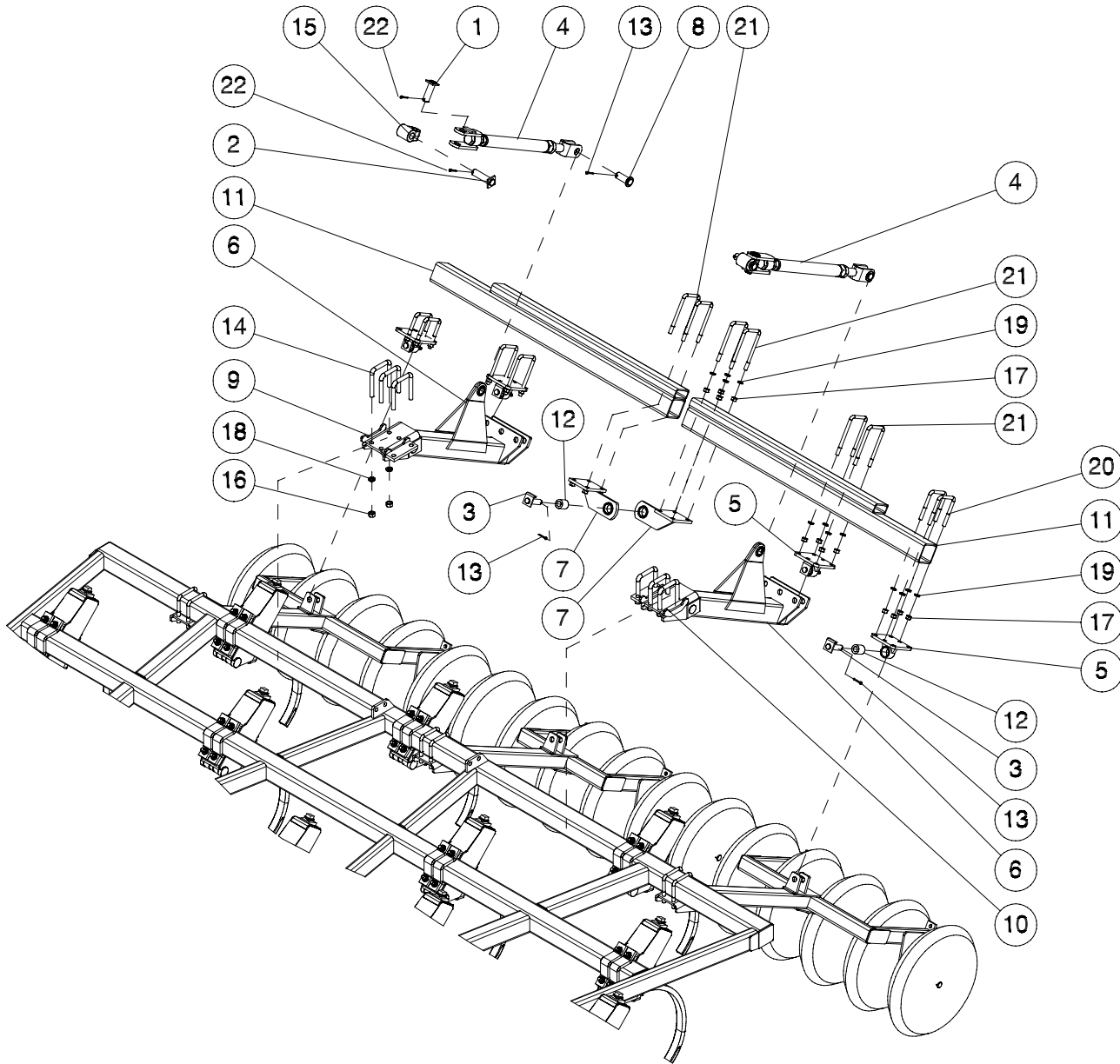
Equalizers Equalizer Arms

Table 2 - Arm Mounting Bracket Requirements

Equalizer Arm Mounting Bracket Assembly											
Size (ft)	Spacing (in)	LH Outer Wing		LH Inner Wing		Main Frame		RH Inner Wing		RH Outer Wing	
		Eq Arm 1	Eq Arm 2	Eq Arm 1	Eq Arm 2	Eq Arm 1	Eq Arm 2	Eq Arm 1	Eq Arm 2	Eq Arm 1	Eq Arm 2
40	7 1/2	N/A	N/A							N/A	N/A
		N/A	N/A							N/A	N/A
50	7 1/2										
60	7 1/2										
	10										
	12										

Equalizers Main Frame - 3 Packer Gang

Note: For installation of Bump Stops
refer Main Frame Bump Stop
Kit Pg. 7-16.

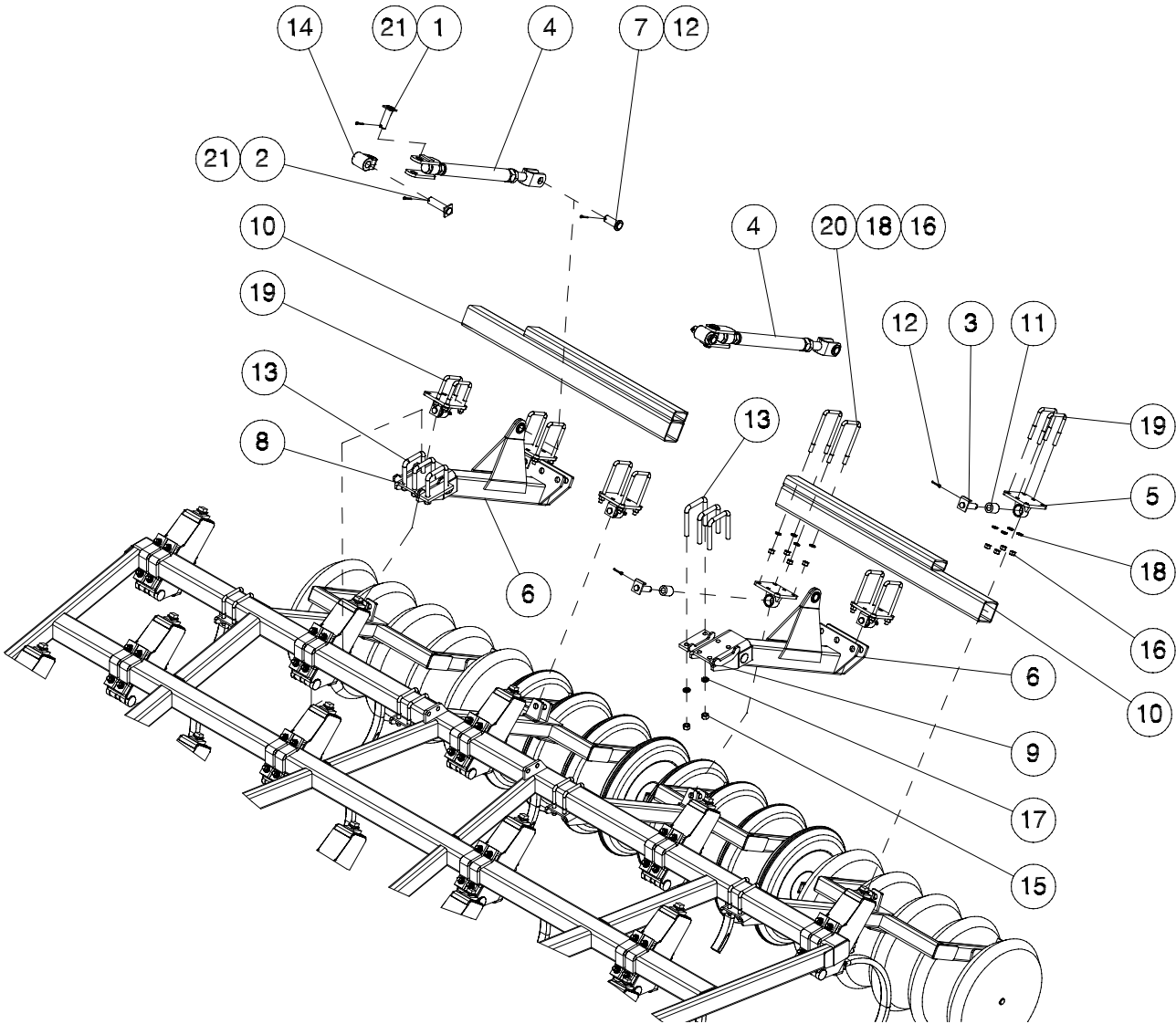


Equalizer - Main Frame - 3 Packer Gang

Item	Part No.	Description	Qty
1	S42784	Pin - 1 1/4 Dia x 3 5/16 UL	2
2	S42785	Pin - 1 1/4 Dia x 4 1/16 UL	2
3	S39050	Pin - 1 Dia x 3 1/8 UL	5
4	S39130	Long Turnbuckle Assembly	2
5	S39158	Bracket - Equalizer Pivot	4
6	S39165	Control Arm - Equalizer	2
7	S39393	Equalizer Pivot	2
8	S39536	Pin - 1 1/4 Dia x 2 5/8 UL	2
9	S39770	Bracket - Equalizer Arm Mounting - Right	1
10	S39771	Bracket - Equalizer Arm Mounting - Left	1
11	*****	Equalizer Tube (Refer to Table 1)	2
12	S39157	Bushing - 1 3/4 OD x 1 ID x 1 7/8 Lg	5
13	W-535	Cotter Pin - 1/4 x 1 1/2 Lg	7
14	C-5561	U-Bolt - 3/4 x 4 x 5 9/16	6
15	S39335	Cast Pivot Knuckle	2
16	W-518	Hex Nut - 3/4	12
17	W-517	Hex Nut - 5/8	24
18	W-527	Lockwasher - 3/4	12
19	W-526	Lockwasher - 5/8	24
20	C-219	U-Bolt - 5/8 x 4 x 5 9/16	4
21	S39649	U-Bolt - 5/8 x 4 x 7 3/4	8
22	D-5244	Spring Pin - 1/4 x 2 Lg	4

Equalizers Main Frame - 4 Packer Gang

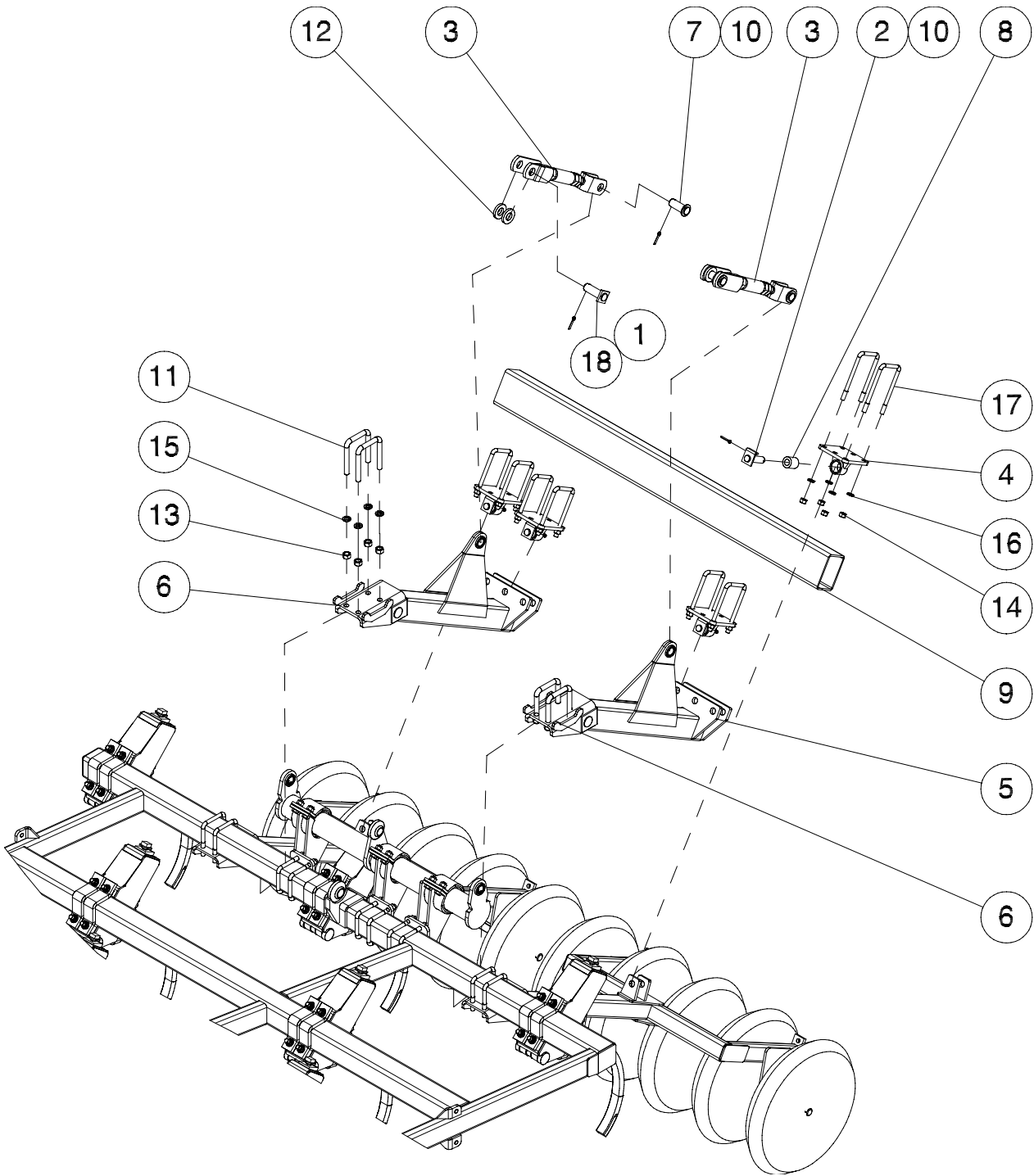
Note: For installation of Bump Stops
refer Main Frame Bump Stop
Kit Pg. 7-16.



Equalizer - Main Frame - 4 Packer Gang

Item	Part No.	Description	Qty
1	S42784	Pin - 1 1/4 Dia x 3 5/16 UL	2
2	S42785	Pin - 1 1/4 Dia x 4 1/16 UL	2
3	S39050	Pin - 1 Dia x 3 1/8 UL	6
4	S39130	Long Turnbuckle Assembly	2
5	S39158	Bracket - Equalizer Pivot	6
6	S39165	Control Arm - Equalizer	2
7	S39536	Pin - 1 1/4 Dia x 2 5/8 UL	2
8	S39770	Bracket - Equalizer Arm Mounting - Right	1
9	S39771	Bracket - Equalizer Arm Mounting - Left	1
10	*****	Equalizer Tube (Refer to Table 1)	2
11	S39157	Bushing - 1 3/4 OD x 1 ID x 1 7/8 Lg	6
12	W-535	Cotter Pin - 1/4 x 1 1/2 Lg	8
13	C-5561	U-Bolt - 3/4 x 4 x 5 9/16	6
14	S39335	Cast Pivot Knuckle	2
15	W-518	Hex Nut - 3/4	12
16	W-517	Hex Nut - 5/8	24
17	W-527	Lockwasher - 3/4	12
18	W-526	Lockwasher - 5/8	24
19	C-219	U-Bolt - 5/8 x 4 x 5 9/16	4
20	S39649	U-Bolt - 5/8 x 4 x 7 3/4	8
21	D-5244	Spring Pin - 1/4 x 2 Lg	4

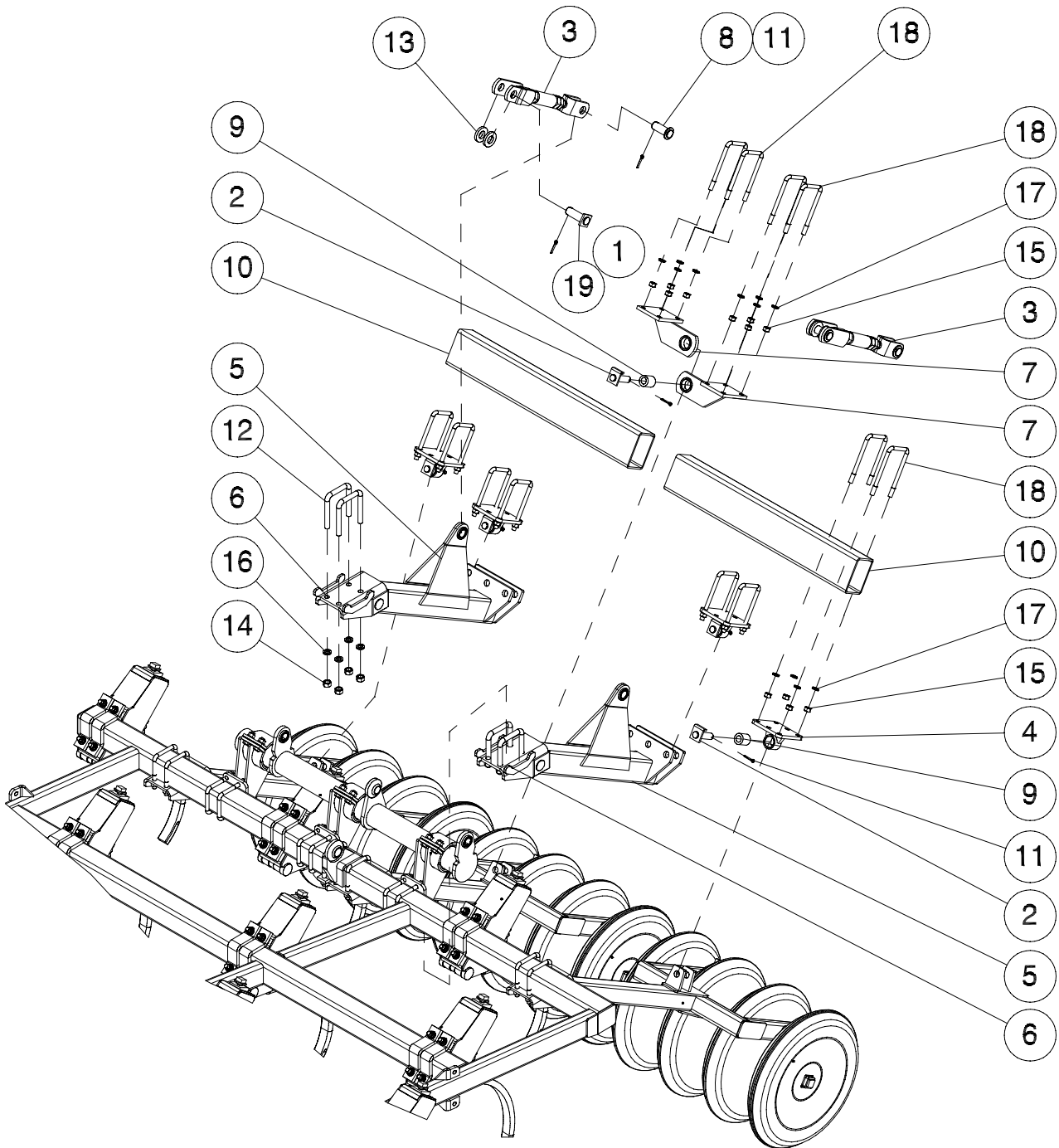
Equalizers Wing Frame - 2 Packer Gang



Equalizer - Wing Frame - 2 Packer Gang

Item	Part No.	Description	Qty
1	S42784	Pin - 1 1/4 Dia x 3 5/16 UL	2
2	S39050	Pin - 1 Dia x 4 1/4 UL	4
3	S39125	Short Turnbuckle Assembly	2
4	S39158	Bracket - Equalizer Pivot	4
5	S39165	Control Arm - Equalizer	2
6	S39390	Bracket - Equalizer Arm Std (See Page 7-3 & 7-16 for Bracket for different Wings)	2
7	S39536	Pin - 1 1/4 x 2 5/8 UL	2
8	S39157	Bushing - 1 3/4 OD x 1 ID x 1 7/8 Lg	4
9	*****	Equalizer Tube (Refer to Table 1)	1
10	W-535	Cotter Pin - 1/4 x 1 1/2 Lg	6
11	C-5561	U-Bolt - 3/4 x 4 x 5 9/16	4
12	S26462	Flatwasher 1 9/32 ID x 2 1/2 OD x 3/8	4
13	W-518	Hex Nut - 3/4	8
14	W-517	Hex Nut - 5/8	16
15	W-527	Lockwasher - 3/4	8
16	W-526	Lockwasher - 5/8	16
17	S39649	U-Bolt - 5/8 x 4 x 7 3/4	8
18	D-5244	Spring Pin - 1/4 x 2 Lg	2

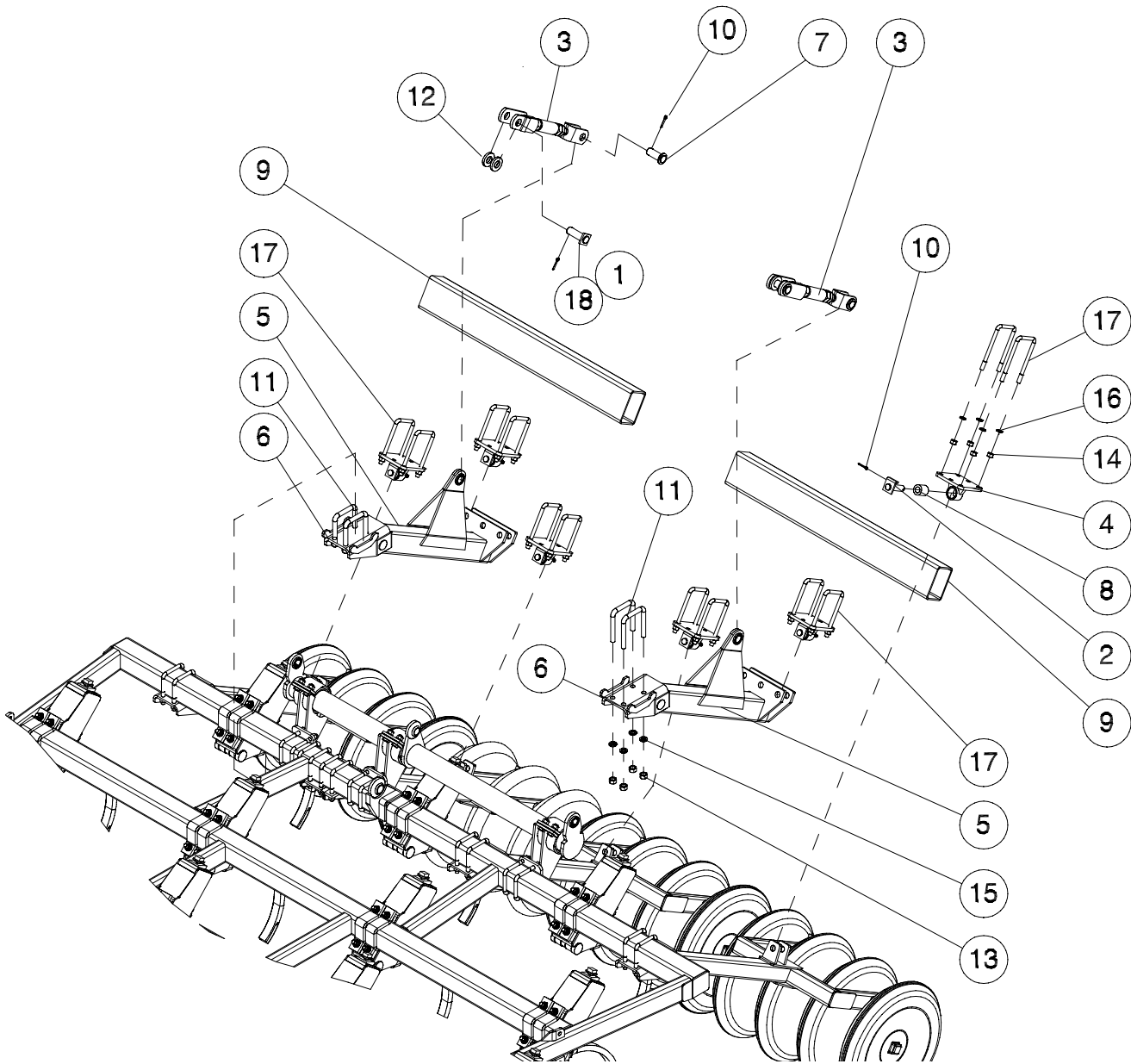
Equalizers Wing Frame - 3 Packer Gang



Equalizer - Wing Frame - 3 Packer Gang

Item	Part No.	Description	Qty
1	S42784	Pin - 1 1/4 Dia x 3 5/16 UL	2
2	S39050	Pin - 1 Dia x 3 1/8 UL	5
3	S39125	Short Turnbuckle Assembly	2
4	S39158	Bracket - Equalizer Pivot	4
5	S39165	Control Arm - Equalizer	2
6	S39390	Bracket - Equalizer Arm Std(See Page 7-3 & 7-16 for Bracket for different Wings)	2
7	S39393	Equalizer Pivot	2
8	S39536	Pin - 1 1/4 Dia x 2 5/8 UL	2
9	S39157	Bushing - 1 3/4 OD x 1 ID x 1 7/8 Lg	5
10	*****	Equalizer Tube (Refer to Table 1)	2
11	W-535	Cotter Pin - 1/4 x 1 1/2 Lg	7
12	C-5561	U-Bolt - 3/4 x 4 x 5 9/16	4
13	S26462	Flatwasher 1 9/32 ID x 2 1/2 OD x 3/8	4
14	W-518	Hex Nut - 3/4	8
15	W-517	Hex Nut - 5/8	24
16	W-527	Lockwasher - 3/4	8
17	W-526	Lockwasher - 5/8	24
18	S39649	U-Bolt - 5/8 x 4 x 7 3/4	12
19	D-5244	Spring Pin - 1/4 x 2 Lg	2

Equalizers Wing Frame - 4 Packer Gang



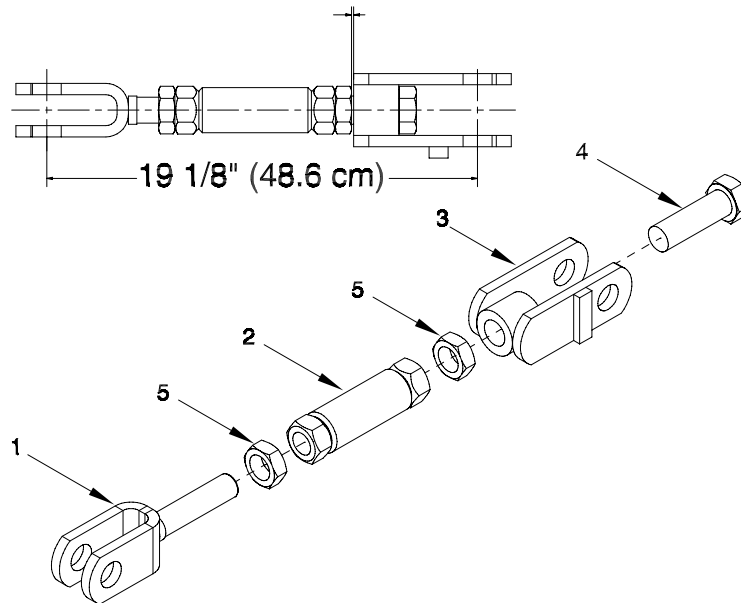
Equalizer - Wing Frame - 4 Packer Gang

Item	Part No.	Description	Qty
1	S42784	Pin - 1 1/4 Dia x 3 5/16 UL	2
2	S39050	Pin - 1 Dia x 3 1/8 UL	6
3	S39125	Short Turnbuckle Assembly	2
4	S39158	Bracket - Equalizer Pivot	6
5	S39165	Control Arm - Equalizer	2
6	S39390	Bracket - Equalizer Arm Std(See Page 7-3 & 7-16 for Bracket for different Wings)	2
7	S39536	Pin - 1 1/4Dia x 2 5/8 UL	2
8	S39157	Bushing - 1 3/4 OD x 1 ID x 1 7/8 Lg	6
9	*****	Equalizer Tube (Refer to Table 1)	2
10	W-535	Cotter Pin - 1/4 x 1 1/2 Lg	8
11	C-5561	U-Bolt - 3/4 x 4 x 5 9/16.....	4
12	S26462	Flatwasher 1 9/32 ID x 2 1/2 OD x 3/8	4
13	W-518	Hex Nut - 3/4	8
14	W-517	Hex Nut - 5/8	24
15	W-527	Lockwasher - 3/4	8
16	W-526	Lockwasher - 5/8	24
17	S39649	U-Bolt - 5/8 x 4 x 7 3/4	12
18	D-5244	Spring Pin - 1/4 x 2 Lg	2

Equalizers Turnbuckles

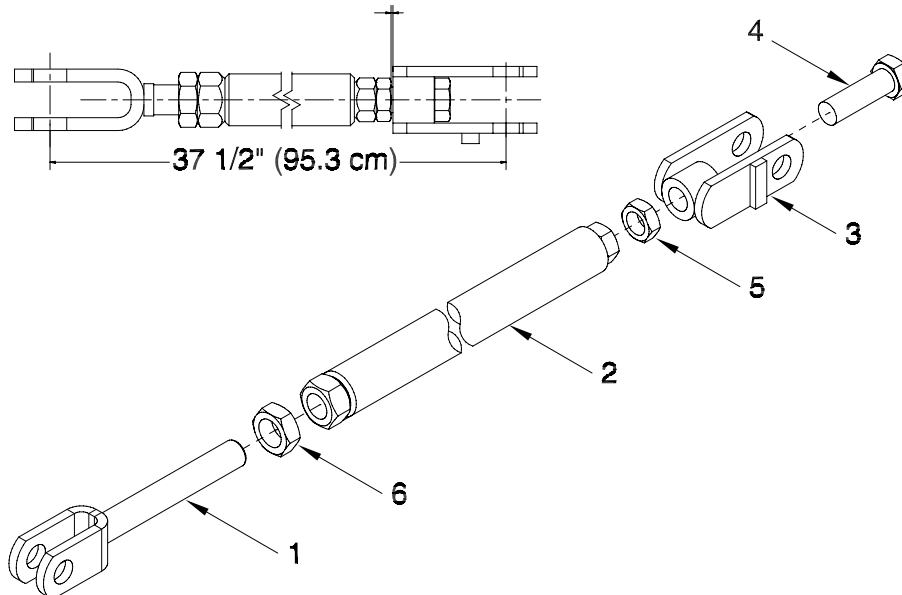
Short Turnbuckle

1/16" (1.6 mm) MAXIMUM GAP
NOTE: ITEM #3 MUST TURN FREELY WHEN ASSEMBLING
BOLT #4 AND LOCKING WITH JAM NUT #5.



Long Turnbuckle

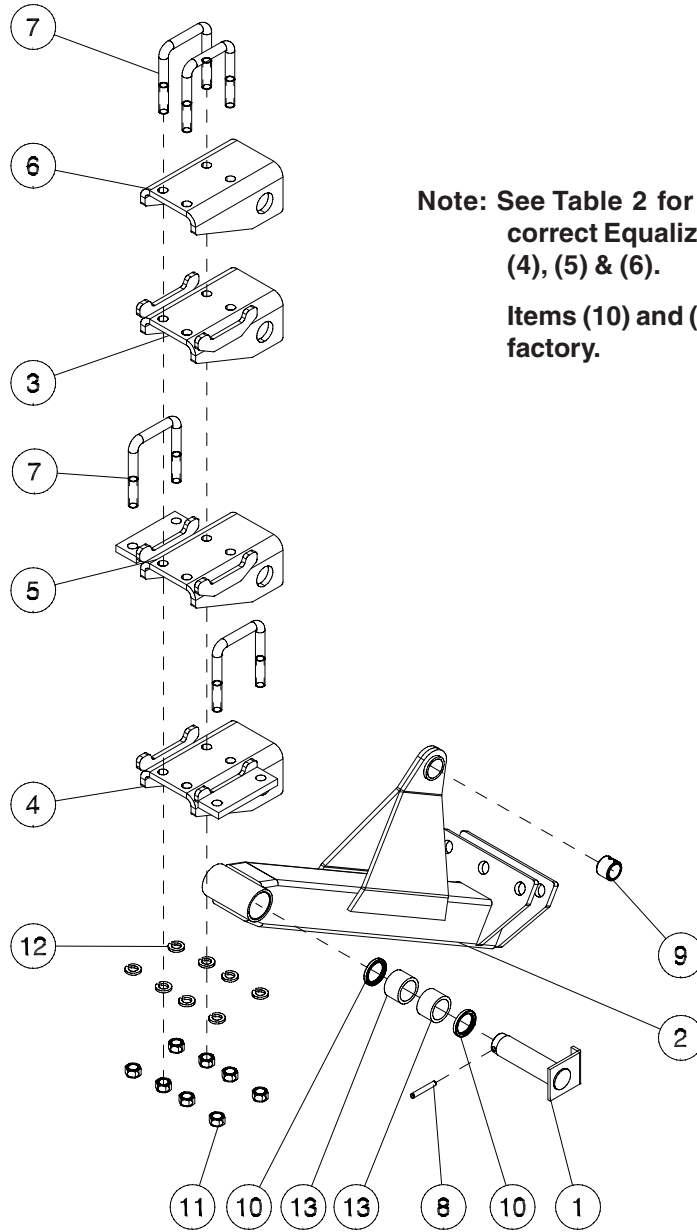
1/16" (1.6 mm) MAXIMUM GAP
NOTE: ITEM #3 MUST TURN FREELY WHEN ASSEMBLING
BOLT #4 AND LOCKING WITH JAM NUT #5.



Equalizer - Turnbuckles

Item	Part No.	Description	Qty
Short Turnbuckle			
1	S39128	Clevis - Right Hand Thread	1
2	S39132	Turnbuckle Body - Short	1
3	S39698	Pivot Clevis	1
4	S39754	Hex Bolt - 1 1/4 x 4 Lg	1
5	C15768	Jam Nut - 1 1/14	2
Long Turnbuckle			
1	S39695	Clevis - Right Hand Thread	1
2	S39124	Turnbuckle Body - Long	1
3	S39698	Pivot Clevis	1
4	S39754	Hex Bolt - 1 1/4 x 4 Lg	1
5	C15768	Jam Nut - 1 1/14	1
6	S39694	Jam Nut - 1 1/2	1

Equalizers Control Arm Assembly



Note: See Table 2 for Location and Assembly of correct Equalizer Arm Mtg Bracket Items (3), (5) & (6).

Items (10) and (13) are pre-assembled at the factory.

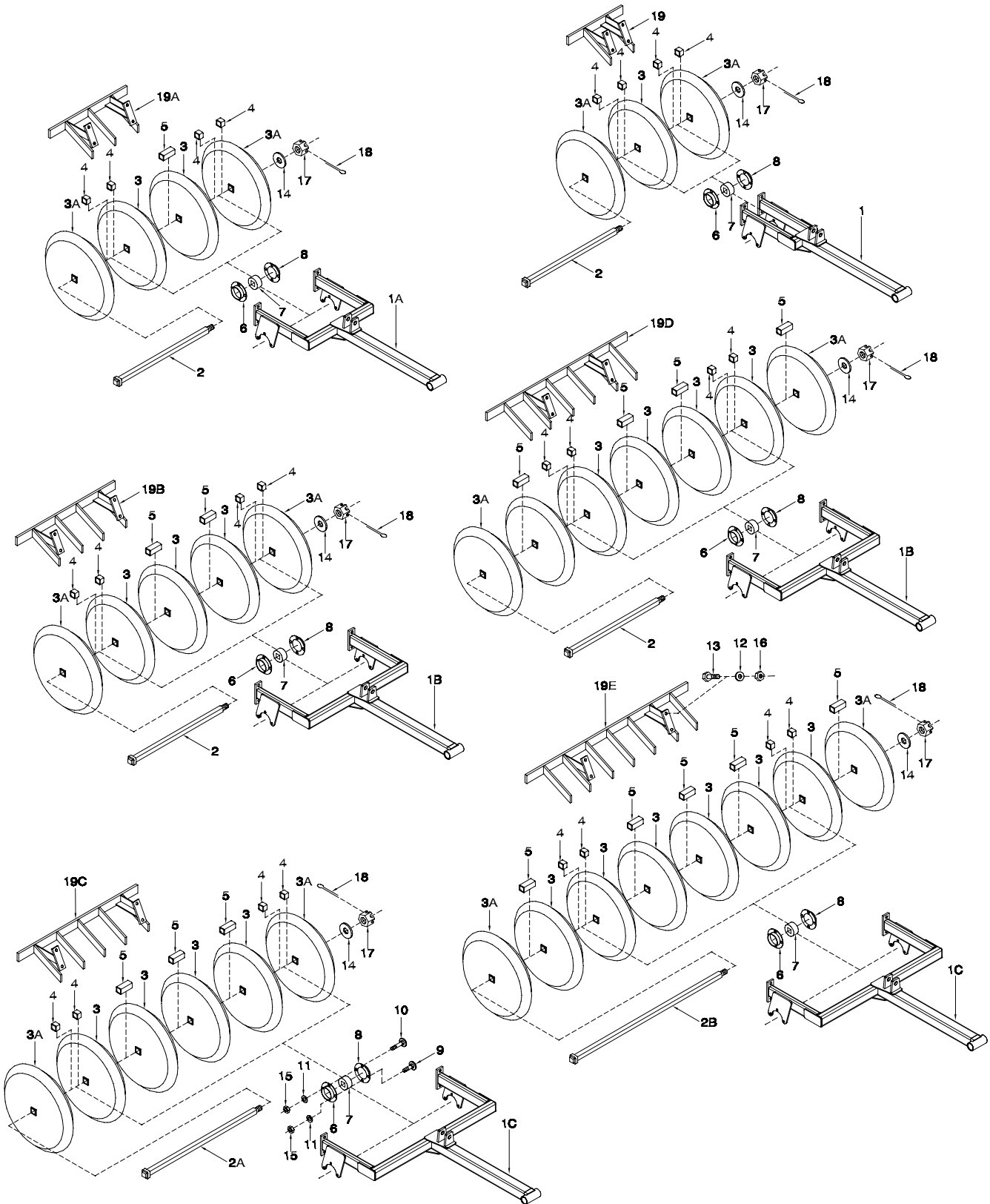
Item	Part No.	Description	Qty
1	S32540	Pivot Pin - 1 3/4 OD x 6 1/8 UL	1
2	S39165	Control Arm - Equalizer (Includes Items 10 & 13)	As req
3	S39390	Bracket - Equalizer Arm Mounting - Standard	As req
4	S39770	Bracket - Equalizer Arm Mounting - Right	As req
5	S39771	Bracket - Equalizer Arm Mounting - Left	As req
6	S39858	Bracket - Equalizer Mounting - No Lugs	As req
7	C-5561	U-Bolt - 3/4 x 4 x 5 9/16	4
8	T-5245	Spiral Pin - 3/8 Dia x 2 1/2 Lg	1
9	C26873	Connex Bushing - 1 5/8 OD x 1 1/4 ID	1
10	C26266	Dust Seal - #17229	2
11	W-518	Hex Nut - 3/4	8
12	W-527	Lockwasher - 3/4	8
13	C26086	Polygon Bushing - 1.755 ID x 2.2525 OD x 1 1/2 Lg	2

Section 8: Packer Gangs

Section Contents

7.5 Spacing - 2 Steel Wheels	8-2
7.5 Spacing - 2 Rubber Wheels	8-4
7.5 Spacing - 3.5 Steel or Rubber Wheels	8-6
10 Spacing - 3.5 Steel or Rubber Wheels	8-8
10 Spacing - 4.5 Steel or Rubber Wheels	8-10
12 Spacing - 3.5 Steel or Rubber Wheels	8-12
12 Spacing - 4.5 Steel or Rubber Wheels	8-14
Mud Scrapers	8-16
Mud Scraper - Universal	8-17
Arm Assembly	8-18

Packer Gangs 7.5 Spacing - 2 Steel Wheels

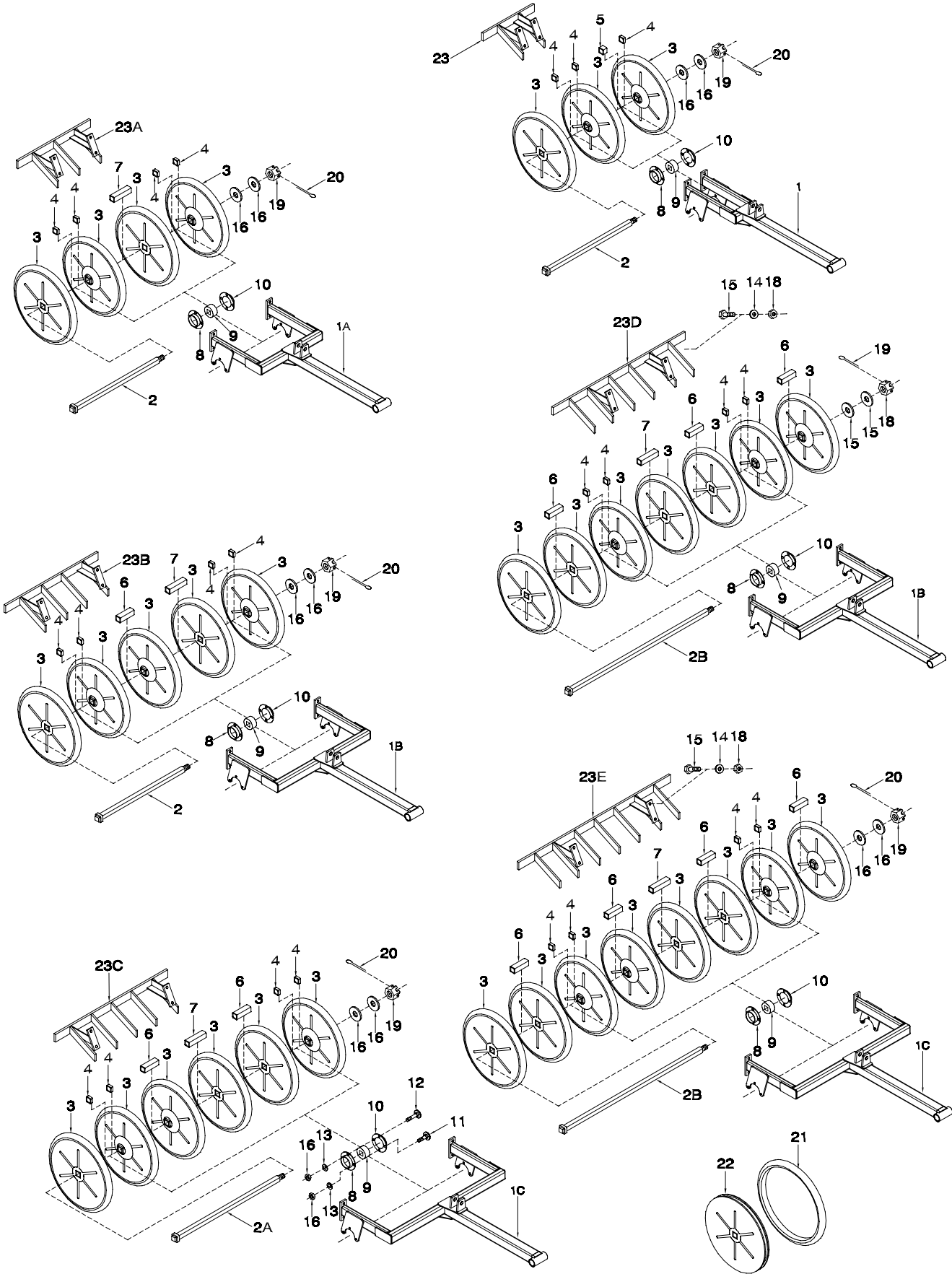


Packer Gangs - 7.5 Spacing - 2 Steel Wheels

Item	Part No.	Description	No: Used					
			3Wh	4Wh	5Wh	6Wh	7Wh	8Wh
1	S39689	Fork - 3 Wheel	1	-	-	-	-	-
1A	S39385	Fork - 4 Wheel	-	1	-	-	-	-
1B	S39062	Fork - 5 & 7 Wheel	-	-	1	-	1	-
1C	S39064	Fork - 6 & 8 Wheel	-	-	-	1	-	1
2	S39813	Gang Shaft - 3 Wheel - 18 Lg	1	-	-	-	-	-
2A	S39382	Gang Shaft - 4 Wheel - 25.5 Lg	-	1	-	-	-	-
2C	S22391	Gang Shaft - 5 Wheel	-	-	1	-	-	-
2D	S22390	Gang Shaft - 6 Wheel	-	-	-	1	-	-
2E	S39121	Gang Shaft - 7 Wheel - 48.125 Lg	-	-	-	-	1	-
2E	S22389	Gang Shaft - 8 Wheel	-	-	-	-	-	1
3	S27560	Steel 'V' Press Wheel - 2 x 23 Dia	1	2	3	4	5	6
3A	S39535	Concave Steel Press Wheel - 2 x 23 Dia	2	2	2	2	2	2
4	D18569	Spacer - 1 1/32 Lg	4	4	4	4	4	4
5	D18568	Spacer - 3 1/2 Lg	-	1	2	3	4	5
6	D-5022	Flangette	2	2	2	2	2	2
7	D-4938	Bearing	2	2	2	2	2	2
8	D11174	Flangette - with 45 degree grease fitting	2	2	2	2	2	2
9	D-5265	Carriage Bolt - 1/2 x 1	2	2	2	2	2	2
10	T-5266	Carriage Bolt - 1/2 x 1 1/4	6	6	6	6	6	6
11	W-525	Lockwasher - 1/2	8	8	8	8	8	8
12	W-526	Lockwasher - 5/8	4	4	4	4	4	4
13	W-498	Hex Bolt - 5/8 x 1 3/4	4	4	4	4	4	4
14	D-5499	Washer - 1.313 ID x 2.75 OD x 9 GA	2	2	2	2	2	2
15	W-516	Hex Nut - 1/2	8	8	8	8	8	8
16	W-517	Hex Nut - 5/8	4	4	4	4	4	4
17	N19484	Slotted Nut - 1 1/4	1	1	1	1	1	1
18	W-4181	Cotter Pin - 1/4 x 2	1	1	1	1	1	1
19	S39827	Rock Deflector - 3 Wheel	1	-	-	-	-	-
19A	S39485	Rock Deflector - 4 Wheel	-	1	-	-	-	-
19B	S22213	Rock Deflector - 5 Wheel	-	-	1	-	-	-
19C	S22210	Rock Deflector - 6 Wheel	-	-	-	1	-	-
19D	S39480	Rock Deflector - 7 Wheel	-	-	-	-	1	-
19E	S22203	Rock Deflector - 8 Wheel	-	-	-	-	-	1

Number of Packer Assemblies required for each machine:						
	3Wheel	4Wheel	5Wheel	6Wheel	7Wheel	8Wheel
40 ft	-	-	2	-	2	5
50 ft	2	-	2	2	4	3
60 ft	-	2	4	-	4	5

Packer Gangs 7.5 Spacing - 2 Rubber Wheels



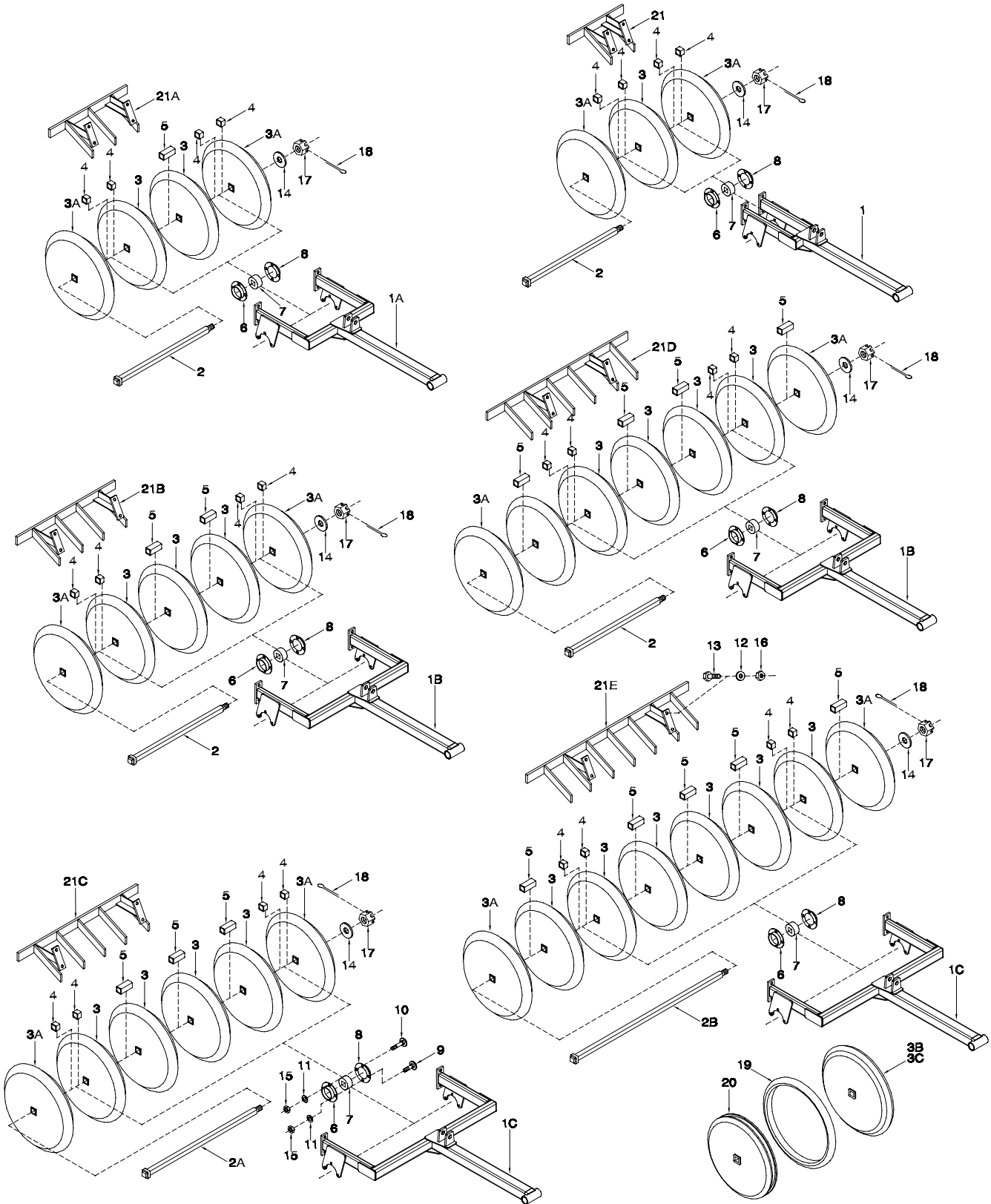
Packer Gangs - 7.5 Spacing - 2 Rubber Wheels

Item	Part No.	Description	No: Used					
			3Wh	4Wh	5Wh	6Wh	7Wh	8Wh
1	S39689	Fork - 3 Wheel	1	-	-	-	-	-
1A	S39385	Fork - 4 Wheel	-	1	-	-	-	-
1B	S39062	Fork - 5 & 7 Wheel	-	-	1	-	1	-
1C	S39064	Fork - 6 & 8 Wheel	-	-	-	1	-	1
2	S39813	Gang Shaft - 3 Wheel - 18 Lg	1	-	-	-	-	-
2A	S39382	Gang Shaft - 4 Wheel - 25.5 Lg	-	1	-	-	-	-
2C	S22391	Gang Shaft - 5 Wheel	-	-	1	-	-	-
2D	S22390	Gang Shaft - 6 Wheel	-	-	-	1	-	-
2E	S39121	Gang Shaft - 7 Wheel - 48.125 Lg	-	-	-	-	1	-
2E	S22389	Gang Shaft - 8 Wheel	-	-	-	-	-	1
3	D10442	Rubber Wheel Assembly - 2 (Includes 21 & 22)	3	4	5	6	7	8
4	D12823	Spacer - 3/4 Lg	3	4	4	4	4	4
5	D13584	Spacer - 2 Lg	1	-	-	-	-	-
6	D12824	Spacer - 4 7/32 Lg	-	-	1	2	3	4
7	S39531	Spacer - 5 1/2 Lg	1	1	1	1	1	1
8	D-5022	Flangette	2	2	2	2	2	2
9	D-4938	Bearing	2	2	2	2	2	2
10	D11174	Flangette - with 45 degree grease fitting	2	2	2	2	2	2
11	D-5265	Carriage Bolt - 1/2 x 1	2	2	2	2	2	2
12	T-5266	Carriage Bolt - 1/2 x 1 1/4	6	6	6	6	6	6
13	W-525	Lockwasher - 1/2	8	8	8	8	8	8
14	W-526	Lockwasher - 5/8	4	4	4	4	4	4
15	W-498	Hex Bolt - 5/8 x 1 3/4	4	4	4	4	4	4
16	D-5499	Washer - 1.313 ID x 2.75 OD x 9 GA	2	2	2	2	2	2
16	W-516	Hex Nut - 1/2	8	8	8	8	8	8
18	W-517	Hex Nut - 5/8	4	4	4	4	4	4
19	N19484	Slotted Nut - 1 1/4	1	1	1	1	1	1
20	W-4181	Cotter Pin - 1/4 x 2	1	1	1	1	1	1
21	D10441	Rubber Tire	3	4	5	6	7	8
22	D10440	Wheel Rim - 2	3	4	5	6	7	8
23	S39827	Rock Deflector - 3 Wheel	1	-	-	-	-	-
23A	S39485	Rock Deflector - 4 Wheel	-	1	-	-	-	-
23B	S22213	Rock Deflector - 5 Wheel	-	-	1	-	-	-
23C	S22210	Rock Deflector - 6 Wheel	-	-	-	1	-	-
23D	S39480	Rock Deflector - 7 Wheel	-	-	-	-	1	-
23E	S22203	Rock Deflector - 8 Wheel	-	-	-	-	-	1

Number of Packer Assemblies required for each machine:						
	3Wheel	4 Wheel	5Wheel	6 Wheel	7Wheel	8 Wheel
40 ft	-	-	2	-	2	5
50 ft	2	-	2	2	4	3
60 ft	-	2	4	-	4	5

Packer Gangs

7.5 Spacing - 3.5 Steel or Rubber Wheels



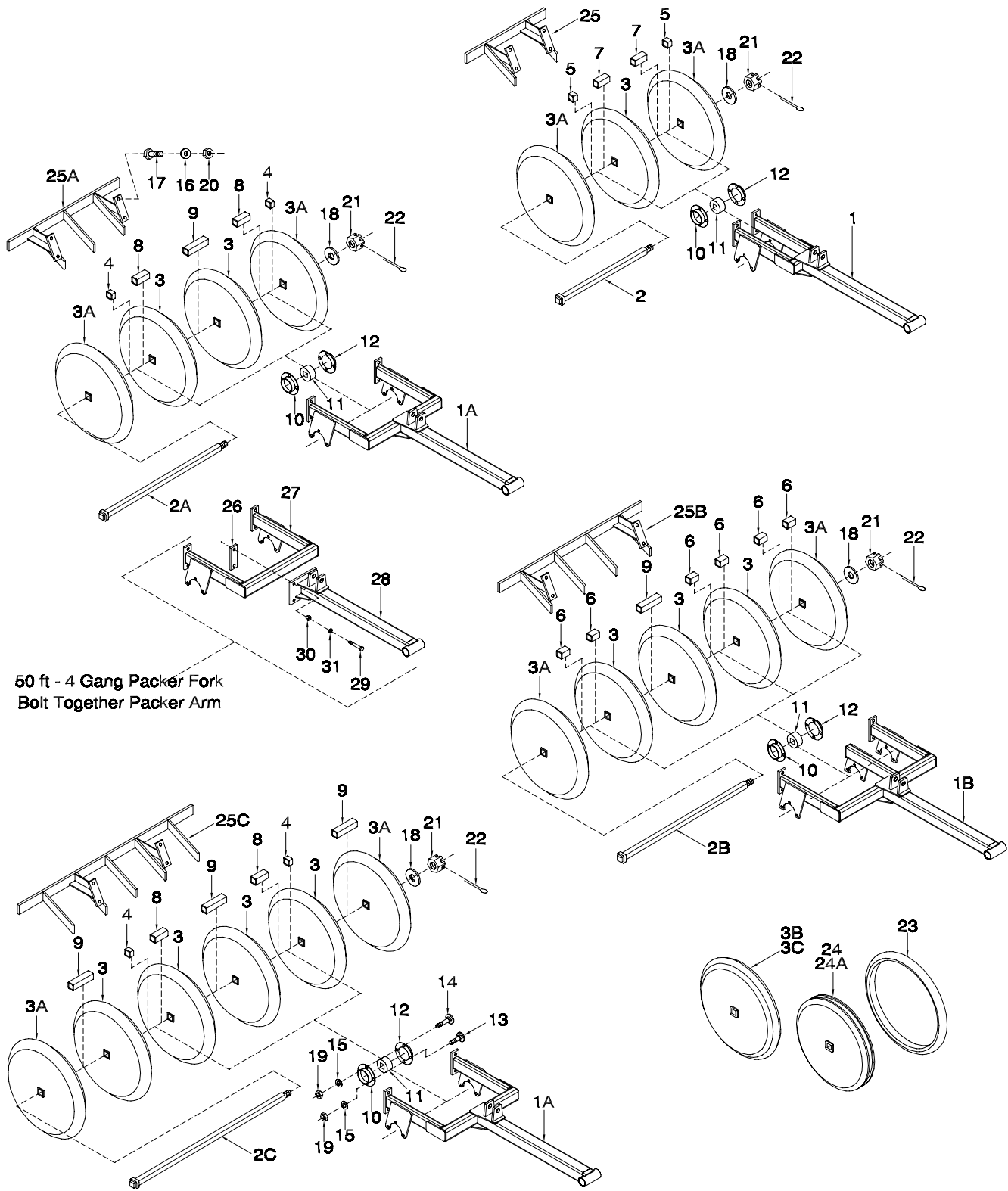
Packer Gangs - 7.5 Spacing - 3.5 Steel or Rubber Wheels

Item	Part No.	Description	No: Used					
			3Wh	4Wh	5Wh	6Wh	7Wh	8Wh
1	S39689	Fork - 3 Wheel	1	-	-	-	-	-
1A	S39385	Fork - 4 Wheel	-	1	-	-	-	-
1B	S39062	Fork - 5 & 7 Wheel	-	-	1	-	1	-
1C	S39064	Fork - 6 & 8 Wheel	-	-	-	1	-	1
2	S39813	Gang Shaft - 3 Wheel - 18 Lg	1	-	-	-	-	-
2A	S39382	Gang Shaft - 4 Wheel - 25.5 Lg	-	1	-	-	-	-
2C	S22391	Gang Shaft - 5 Wheel	-	-	1	-	-	-
2D	S22390	Gang Shaft - 6 Wheel	-	-	-	1	-	-
2E	S39121	Gang Shaft - 7 Wheel - 48.125 Lg	-	-	-	-	1	-
2E	S22389	Gang Shaft - 8 Wheel	-	-	-	-	-	1
3	S27559	Steel Press Wheel - 3 1/2 x 23 5/8 Dia	1	2	3	4	5	6
3A	S39530	Concave Steel Press Wheel - 3 1/2 x 23 5/8 Dia	2	2	2	2	2	2
3B	S32300	Rubber Press Wheel - (Includes Items 19 & 20)	1	2	3	4	5	6
3C	S39500	Concave Rubber Press Wheel - (Items 19 & 20A)	2	2	2	2	2	2
4	D18569	Spacer - 1 1/32 Lg	4	4	4	4	4	4
5	D18568	Spacer - 3 1/2 Lg	1	2	4			
6	D-5022	Flangette	2	2	2	2	2	2
7	D-4938	Bearing	2	2	2	2	2	2
8	D11174	Flangette - with 45 degree grease fitting	2	2	2	2	2	2
9	D-5265	Carriage Bolt - 1/2 x 1	2	2	2	2	2	2
10	T-5266	Carriage Bolt - 1/2 x 1 1/4	6	6	6	6	6	6
11	W-525	Lockwasher - 1/2	8	8	8	8	8	8
12	W-526	Lockwasher - 5/8	4	4	4	4	4	4
13	W-498	Hex Bolt - 5/8 x 1 3/4	4	4	4	4	4	4
14	D-5499	Washer - 1.313 ID x 2.75 OD x 9 GA	2	2	2	2	2	2
15	W-516	Hex Nut - 1/2	8	8	8	8	8	8
16	W-517	Hex Nut - 5/8	4	4	4	4	4	4
17	N19484	Slotted Nut - 1 1/4	1	1	1	1	1	1
18	W-4181	Cotter Pin - 1/4 x 2	1	1	1	1	1	1
19	S32299	Rubber Tire	3	4	5	6	7	8
20	S32298	Wheel Rim - 3 1/2 (Rubber Press Wheels Only)	1	2	3	4	5	6
20A	S39527	Concave Rim - 3 1/2 (Rubber Press Wheels Only)	2	2	2	2	2	2
21	S39827	Rock Deflector - 3 Wheel	1	-	-	-	-	-
21A	S39485	Rock Deflector - 4 Wheel	-	1	-	-	-	-
21B	S22213	Rock Deflector - 5 Wheel	-	-	1	-	-	-
21C	S22210	Rock Deflector - 6 Wheel	-	-	-	1	-	-
21D	S39480	Rock Deflector - 7 Wheel	-	-	-	-	1	-
21E	S22203	Rock Deflector - 8 Wheel	-	-	-	-	-	1

Number of Packer Assemblies required for each machine:						
	3Wheel	4 Wheel	5Wheel	6 Wheel	7Wheel	8 Wheel
40 ft	-	-	2	-	2	5
50 ft	2	-	2	2	4	3
60 ft	-	2	4	-	4	5

Packer Gangs

10 Spacing - 3.5 Steel or Rubber Wheels



**50 ft - 4 Gang Packer Fork
Bolt Together Packer Arm**

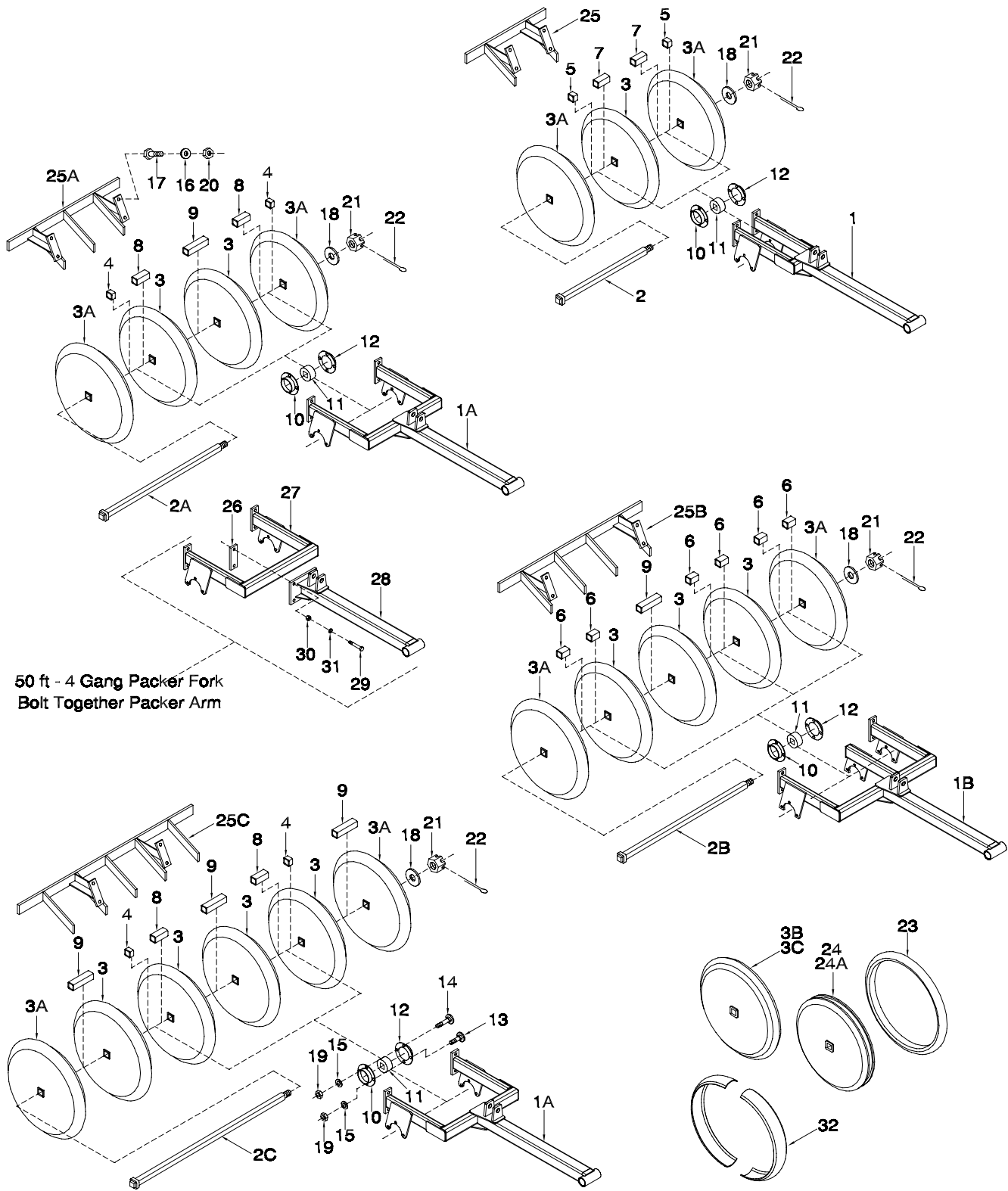
Packer Gangs - 10 Spacing - 3.5 Steel or Rubber Wheels

Item	Part No.	Description	No: Used			
			3Wh	4Wh	5Wh	6Wh
1	S39060	Fork - 3 Wheel	1	-	-	-
1A	S39062	Fork - 4 & 6 Wheel	-	1	-	1
1B	S45307	Fork - 5 Wheel	-	-	1	-
2	S39785	Gang Shaft - 3 Wheel	1	-	-	-
2A	S22391	Gang Shaft - 4 Wheel	-	1	-	-
2B	S39787	Gang Shaft - 5 Wheel	-	-	1	-
2C	S22498	Gang Shaft - 6 Wheel	-	-	-	1
3	S27559	Steel Press Wheel - 3 1/2 x 23 5/8 Dia	1	2	3	4
3A	S39530	Concave Steel Press Wheel - 3 1/2 x 23 5/8 Dia	2	2	2	2
3B	S32300	Rubber Press Wheel Assembly (Includes Items 23 & 24)	1	2	3	4
3C	S39500	Concave Rubber Press Wheel Assembly (Includes Items 23 & 24A) .	2	2	2	2
4	D18569	Spacer - 1 1/32 Lg	-	2	-	2
5	S22634	Spacer - 1 9/32 Lg	2	-	-	-
6	D13585	Spacer - 2 9/32 Lg	-	-	6	-
7	D13580	Spacer - 3 9/32 Lg	2	-	-	-
8	D18568	Spacer - 3 1/2 Lg	-	2	-	2
9	D13586	Spacer - 6 Lg	-	1	1	3
10	D-5022	Flangette	2	2	3	2
11	D-4938	Bearing	2	2	3	2
12	D11174	Flangette - with 45 degree grease fitting	2	2	3	2
13	D-5265	Carriage Bolt - 1/2 x 1	2	2	3	2
14	T-5266	Carriage Bolt - 1/2 x 1 1/4	6	6	9	6
15	W-525	Lockwasher - 1/2	8	8	12	8
16	W-526	Lockwasher - 5/8	4	4	4	4
17	W-498	Hex Bolt - 5/8 x 1 3/4	4	4	4	4
18	D-5499	Washer - 1.313 ID x 2.75 OD x 9 GA	1	1	1	1
19	W-516	Hex Nut - 1/2	8	8	12	8
20	W-517	Hex Nut - 5/8	4	4	4	4
21	N19484	Slotted Nut - 1 1/4	1	1	1	1
22	W-4181	Cotter Pin - 1/4 x 2	1	1	1	1
23	S32299	Rubber Tire (Rubber Press Wheels Only)	3	4	5	6
24	S32298	Wheel Rim - 3 1/2 (Rubber Press Wheels Only)	1	2	3	4
24A	S39527	Concave Rim - 3 1/2 (Rubber Press Wheels Only)	2	2	2	2
25	S22716	Deflector - 3 Wheel	1	-	-	-
25A	S22707	Deflector - 4 Wheel	-	1	-	-
25B	S22708	Deflector - 5 Wheel	-	-	1	-
25C	S22709	Deflector - 6 Wheel	-	-	-	1
26	F18986	Clamp Strap	-	2	-	-
27	S39992	Bottom - Packer Fork	-	1	-	-
28	S39993	Top Arm - Packer Fork	-	1	-	-
29	W-504	Hex Bolt - 5/8 x 4 Lg	-	4	-	-
30	W-517	Hex Nut - 5/8	-	4	-	-
31	W-526	Lockwasher - 5/8	-	4	-	-

Number of Packer Assemblies required for each machine:				
	3 Wheel	4 Wheel	5 Wheel	6 Wheel
40 ft	2	8	2	-
50 ft	-	10	4	-
60 ft	2	14	2	-

Packer Gangs

10 Spacing - 4.5 Steel or Rubber Wheels



50 ft - 4 Gang Packer Fork
Bolt Together Packer Arm

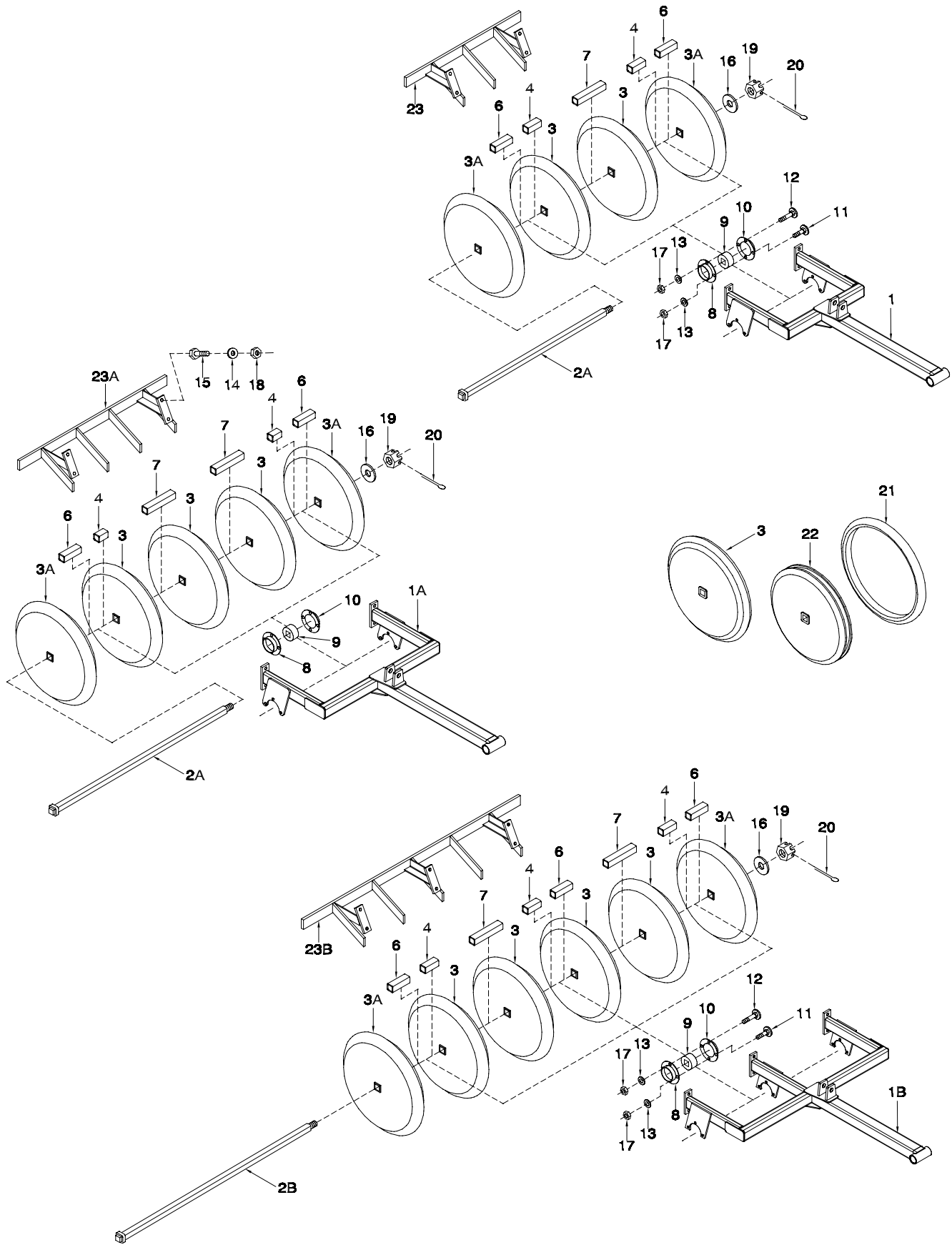
Packer Gangs - 10 Spacing - 4.5 Steel or Rubber Wheels

Item	Part No.	Description	No: Used			
			3Wh	4Wh	5Wh	6Wh
1	S39060	Fork - 3 Wheel	1	-	-	-
1A	S39062	Fork - 4 & 6 Wheel	-	1	-	1
1B	S45307	Fork - 5 Wheel	-	-	1	-
2	S39785	Gang Shaft - 3 Wheel	1	-	-	-
2A	S22391	Gang Shaft - 4 Wheel	-	1	-	-
2B	S39787	Gang Shaft - 5 Wheel	-	-	1	-
2C	S22498	Gang Shaft - 6 Wheel	-	-	-	1
3	S26760	Steel Press Wheel - Standard - 4 1/2 x 23 5/8 Dia	1	2	3	4
	S47501	Packer Wheel - Steel Cap - 4 1/2 Regular	1	2	3	4
3A	S39810	Concave Steel Press Wheel - Standard - 4 1/2 x 23 5/8 Dia	2	2	2	2
	S47508	Packer Wheel - Steel Cap - 4 1/2 Concave	2	2	2	2
3B	S26750	Rubber Press Wheel Assembly (Includes Items 23 & 24)	1	2	3	4
3C	S39800	Concave Rubber Press Wheel Assembly (Includes Items 23 & 24A) .	2	2	2	2
4	D18569	Spacer - 1 1/32 Lg	-	2	-	2
5	S22634	Spacer - 1 9/32 Lg	2	-	-	-
6	D13585	Spacer - 2 9/32 Lg	-	-	6	-
7	D13580	Spacer - 3 9/32 Lg	2	-	-	-
8	D18568	Spacer - 3 1/2 Lg	-	2	-	2
9	D13586	Spacer - 6 Lg	-	1	1	3
10	D-5022	Flangette	2	2	3	2
11	D-4938	Bearing	2	2	3	2
12	D11174	Flangette - with 45 degree grease fitting	2	2	3	2
13	D-5265	Carriage Bolt - 1/2 x 1	2	2	3	2
14	T-5266	Carriage Bolt - 1/2 x 1 1/4	6	6	9	6
15	W-525	Lockwasher - 1/2	8	8	12	8
16	W-526	Lockwasher - 5/8	4	4	4	4
17	W-498	Hex Bolt - 5/8 x 1 3/4	4	4	4	4
18	D-5499	Washer - 1.313 ID x 2.75 OD x 9 GA	1	1	1	1
19	W-516	Hex Nut - 1/2	8	8	12	8
20	W-517	Hex Nut - 5/8	4	4	4	4
21	N19484	Slotted Nut - 1 1/4	1	1	1	1
22	W-4181	Cotter Pin - 1/4 x 2	1	1	1	1
23	S26752	Rubber Tire - 4 1/2 (Rubber Press Wheels only)	3	4	5	6
24	S26753	Rim - 4 1/2 (Rubber Press Wheels Only)	1	2	3	4
24A	S39801	Concave Rim - 4 1/2 (Rubber Press Wheels Only)	2	2	2	2
25	S22716	Deflector - 3 Wheel	1	-	-	-
25A	S22707	Deflector - 4 Wheel	-	1	-	-
25B	S22708	Deflector - 5 Wheel	-	-	1	-
25C	S22709	Deflector - 6 Wheel	-	-	-	1
26	F18986	Clamp Strap	-	2	-	-
27	S39992	Bottom - Packer Fork	-	1	-	-
28	S39993	Top Arm - Packer Fork	-	1	-	-
29	W-504	Hex Bolt - 5/8 x 4 Lg	-	4	-	-
30	W-517	Hex Nut - 5/8	-	4	-	-
31	W-526	Lockwasher - 5/8	-	4	-	-
32	S46259	Kit - Steel Packer Wheel Cap - per wheel				

Number of Packer Assemblies required for each machine:

	3 Wheel	4 Wheel	5 Wheel	6 Wheel
40 ft	2	8	2	-
50 ft	-	10	4	-
60 ft	2	14	2	-

Packer Gangs 12 Spacing - 3.5 Steel or Rubber Wheels



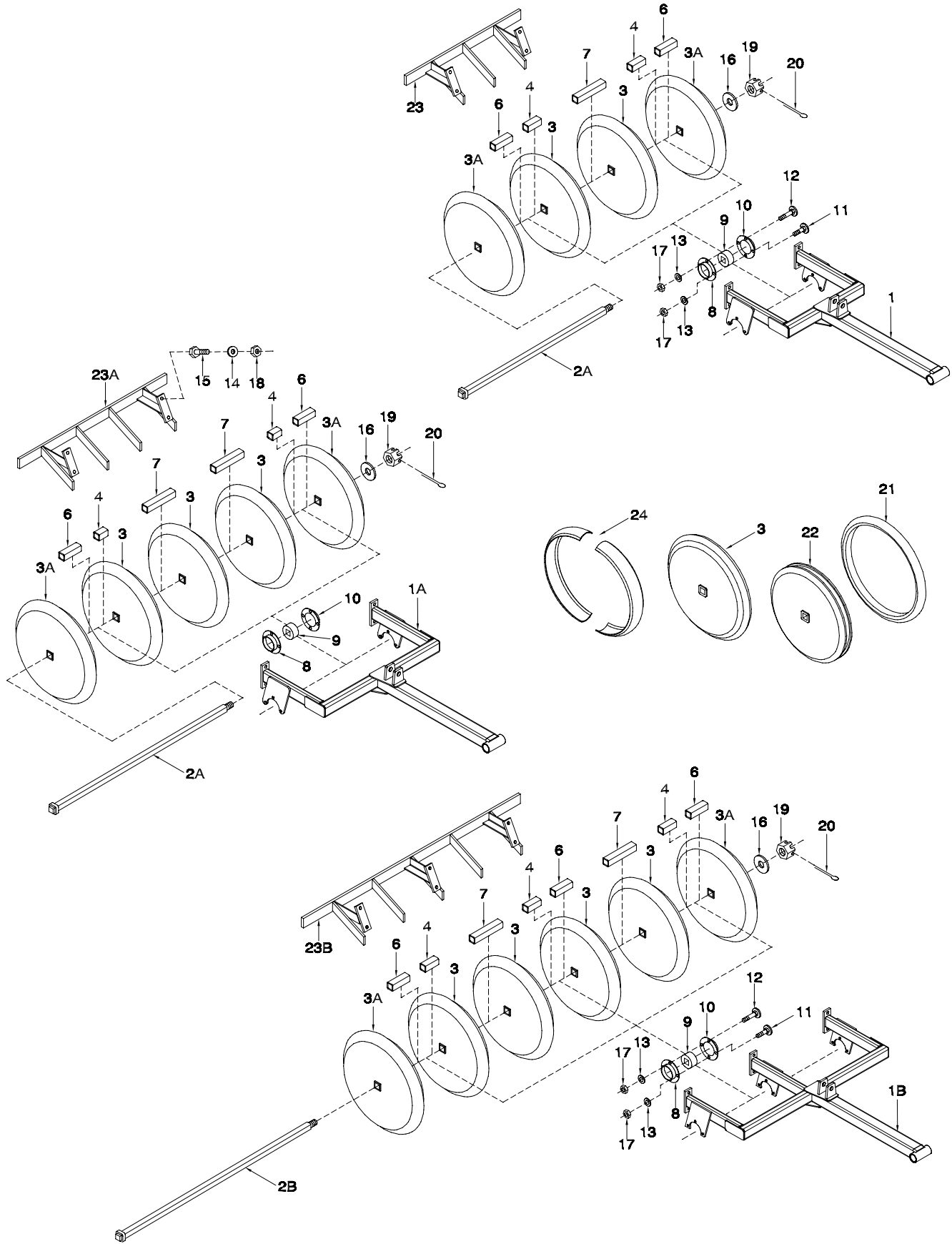
Packer Gangs - 12 Spacing - 3.5 Steel or Rubber Wheels

Item	Part No.	Description	No: Used		
			4Wh	5Wh	6Wh
1	S39062	Fork - 4 & 6 Wheel	1	-	-
1A	S39066	Fork - 5 Wheel	-	1	-
1B	S40496	Fork - 6 Wheel	-	-	1
2	S39791	Gang Shaft - 4 Wheel - 39	1	-	-
2A	S39793	Gang Shaft - 5 Wheel - 51	-	1	-
2B	S39795	Gang Shaft - 6 Wheel - 63	-	-	1
3	S27559	Steel Press Wheel - 3 1/2 x 23 5/8 Dia	2	3	4
3A	S39530	Concave Steel Press Wheel - 3 1/2 x 23 5/8 Dia	2	2	2
3B	S32300	Rubber Press Wheel Assembly (Includes Items 21 & 22)	2	3	4
3C	S39500	Concave Rubber Press Wheel Assembly (Includes Items 21 & 22A)	2	2	2
4	D-5744	Spacer - 2 9/16 Lg	2	2	3
5	D13580	Spacer - 3 9/32 Lg (Used on 3 wheel)	-	-	-
6	D-4935	Spacer - 4 Lg	2	2	3
7	D13581	Spacer - 8 Lg	1	2	2
8	D-5022	Flangette	2	2	3
9	D-4938	Bearing	2	2	3
10	D11174	Flangette - with 45 degree grease fitting	2	2	3
11	D-5265	Carriage Bolt - 1/2 x 1	2	2	3
12	T-5266	Carriage Bolt - 1/2 x 1 1/4	6	6	12
13	W-525	Lockwasher - 1/2	8	8	12
14	W-526	Lockwasher - 5/8	4	4	6
15	W-498	Bolt - 5/8 x 1 3/4	4	4	6
16	D-5499	Washer - 1.313 ID x 2.75 OD x 9 GA	1	1	1
17	W-516	Hex Nut - 1/2	8	8	12
18	W-517	Nut - 5/8	4	4	6
19	N19484	Slotted Nut - 1 1/4	1	1	1
20	W-4181	Cotter Pin - 1/4 x 2	1	1	1
21	S32299	Rubber Tire (Rubber Press Wheels Only)	4	5	6
22	S32298	Wheel Rim - 3 1/2 (Rubber Press Wheels Only)	2	3	4
22A	S39527	Concave Rim - 3 1/2 (Rubber Press Wheels Only)	2	2	2
23	S26781	Deflector - 4 Wheel	1	-	-
23A	S26782	Deflector - 5 Wheel	-	1	-
23B	S44474	Deflector - 6 Wheel	-	-	1

Number of Packer Assemblies required for each machine:

	3 Wheel	4 Wheel	5 Wheel	6 Wheel
40 ft	-	6	2	1
50 ft	-	4	6	1
60 ft	-	6	6	1

Packer Gangs 12 Spacing - 4.5 Steel or Rubber Wheels



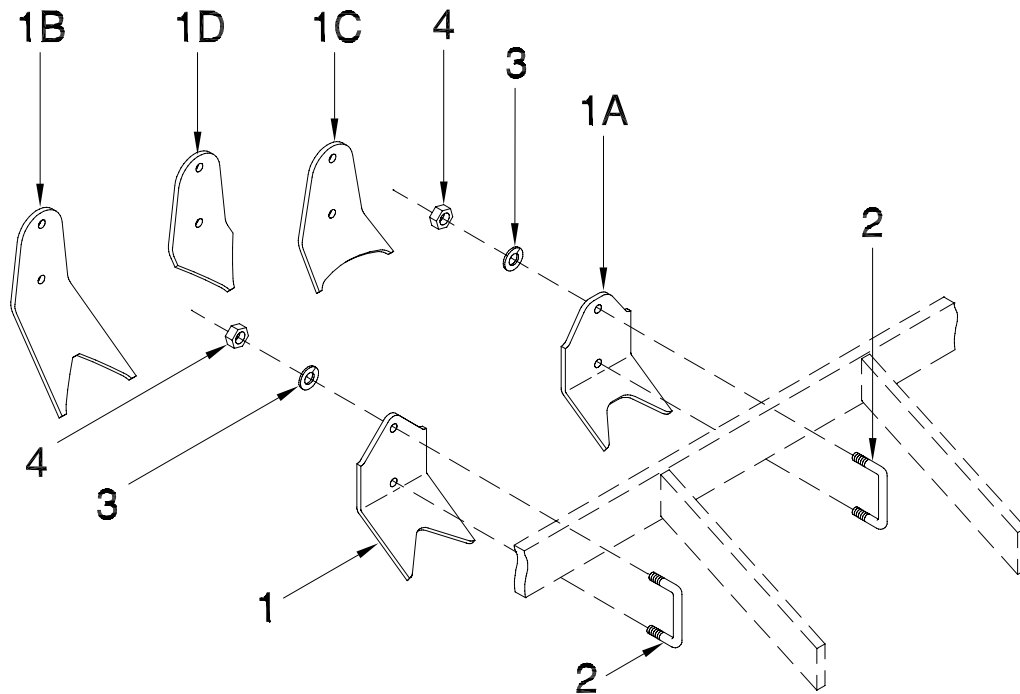
Packer Gangs - 12 Spacing - 4.5 Steel or Rubber Wheels

Item	Part No.	Description	No: Used		
			4Wh	5Wh	6Wh
1	S39062	Fork - 4 & 6 Wheel	1	-	1
1A	S39066	Fork - 5 Wheel	-	1	-
1B	S40496	Fork - 6 Wheel	-	-	1
2	S39791	Gang Shaft - 4 Wheel - 39	1	-	-
2A	S39793	Gang Shaft - 5 Wheel - 51	-	1	-
2B	S39795	Gang Shaft - 6 Wheel - 63	-	-	1
3	S26760	Steel Press Wheel - Standard - 4 1/2 x 23 5/8 Dia	2	2	3
	S47501	Packer Wheel - Steel Cap - 4 1/2 Regular	2	2	3
3A	S39810	Concave Steel Press Wheel - Standard - 4 1/2 x 23 5/8 Dia	2	2	2
	S47508	Packer Wheel - Steel Cap - 4 1/2 Concave	2	2	2
3B	S26750	Rubber Press Wheel Assembly (Includes Items 21 & 22)	2	3	4
3C	S39800	Concave Rubber Press Wheel Assembly (Includes Items 21 & 22A)	2	2	2
4	D-5744	Spacer - 2 9/16 Lg	2	2	3
5	D13580	Spacer - 3 9/32 Lg (Used on 3 wheel)	-	-	-
6	D-4935	Spacer - 4 Lg	2	2	3
7	D13581	Spacer - 8 Lg	1	2	2
8	D-5022	Flangette	2	2	3
9	D-4938	Bearing	2	2	3
10	D11174	Flangette - with 45 degree grease fitting	2	2	3
11	D-5265	Carriage Bolt - 1/2 x 1	2	2	3
12	T-5266	Carriage Bolt - 1/2 x 1 1/4	6	6	12
13	W-525	Lockwasher - 1/2	8	8	12
14	W-526	Lockwasher - 5/8	4	4	6
15	W-498	Bolt - 5/8 x 1 3/4	4	4	6
16	D-5499	Washer - 1.313 ID x 2.75 OD x 9 GA	1	1	1
17	W-516	Hex Nut - 1/2	8	8	12
18	W-517	Nut - 5/8	4	4	6
19	N19484	Slotted Nut - 1 1/4	1	1	1
20	W-4181	Cotter Pin - 1/4 x 2	1	1	1
21	S26752	Rubber Tire - 4 1/2 (Rubber Press Wheels only)	4	5	6
22	S26753	Rim - 4 1/2 (Rubber Press Wheels Only)	2	3	4
22A	S39801	Concave Rim - 4 1/2 (Rubber Press Wheels Only)	2	2	2
23	S26781	Deflector - 4 Wheel	1	-	-
23A	S26782	Deflector - 5 Wheel	-	1	-
23B	S44474	Deflector - 6 Wheel	-	-	1
24	S46259	Kit - Steel Packer Wheel Cap - per wheel			

Number of Packer Assemblies required for each machine:

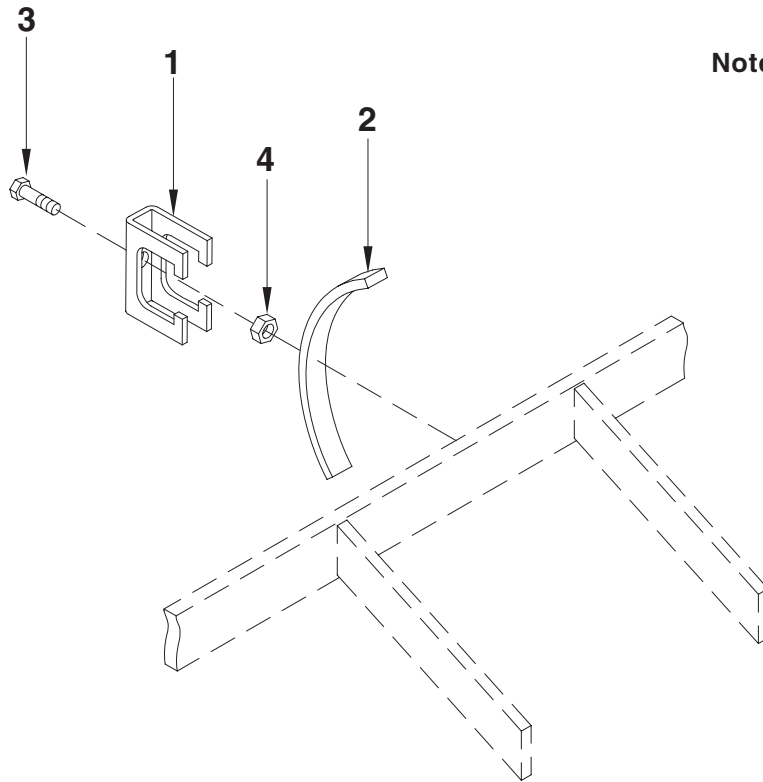
	3 Wheel	4 Wheel	5 Wheel	6 Wheel
40'	-	6	2	1
50'	-	4	6	1
60'	-	6	6	1

Packer Gangs Mud Scrapers



Item	Part No.	Description	Qty																				
1	S27570	Mud Scraper - Steel "V"	1																				
1A	S27567	Mud Scraper - Rubber	1																				
1B	S26833	Mud Scraper - 4 1/2 Steel	1																				
1C	S39975	Mud Scraper - 3 1/2 Rubber	1																				
1C	S26834	Mud Scraper - 4 1/2 Rubber	1																				
1D	S44795	Mud Scraper	1																				
2	S27568	U-Bolt - 3/8 x 2 7/8	1																				
3	W-523	Lockwasher - 3/8	2																				
4	W-514	Hex Nut - 3/8	2																				
	S25988	Mud Scraper Assembly - Steel "V" (Includes Items 1, 2, 3 & 4) To Be Used With: S25690 - 2 Steel Wheels S27559 - 3 1/2 Steel Wheels																					
	S25989	Mud Scraper Assembly - Rubber (Includes Items 1A, 2, 3 & 4) To Be Used With: D10442 - 2 Rubber Wheels																					
	S39980	Mud Scraper Assembly - 3 1/2 Rubber (Includes Items 1C, 2, 3) To Be Used With: S32300 - 3 1/2 Rubber Wheels																					
	S30304	Mud Scraper Assembly - 4 1/2 Steel (Includes Items 1B, 2, 3) To Be Used With: S26760 - 4 1/2 Steel Wheels																					
	S30305	Mud Scraper Assembly - 4 1/2 Rubber (Includes Items 1C, 2, 3 & 4) To Be Used With: S26750 - 4 1/2 Rubber Wheels																					
Order Assemblies Through Wholegoods																							
<table border="1" style="width: 100%;"> <thead> <tr> <th colspan="4">Number of Mud Scraper Assemblies required for each machine:</th> </tr> <tr> <th></th> <th>7 1/2" Spacing</th> <th>10" Spacing</th> <th>12" Spacing</th> </tr> </thead> <tbody> <tr> <td>40'</td> <td>64</td> <td>48</td> <td>40</td> </tr> <tr> <td>50'</td> <td>80</td> <td>60</td> <td>52</td> </tr> <tr> <td>60'</td> <td>96</td> <td>72</td> <td>60</td> </tr> </tbody> </table>				Number of Mud Scraper Assemblies required for each machine:					7 1/2" Spacing	10" Spacing	12" Spacing	40'	64	48	40	50'	80	60	52	60'	96	72	60
Number of Mud Scraper Assemblies required for each machine:																							
	7 1/2" Spacing	10" Spacing	12" Spacing																				
40'	64	48	40																				
50'	80	60	52																				
60'	96	72	60																				

Packer Gangs Mud Scraper - Universal

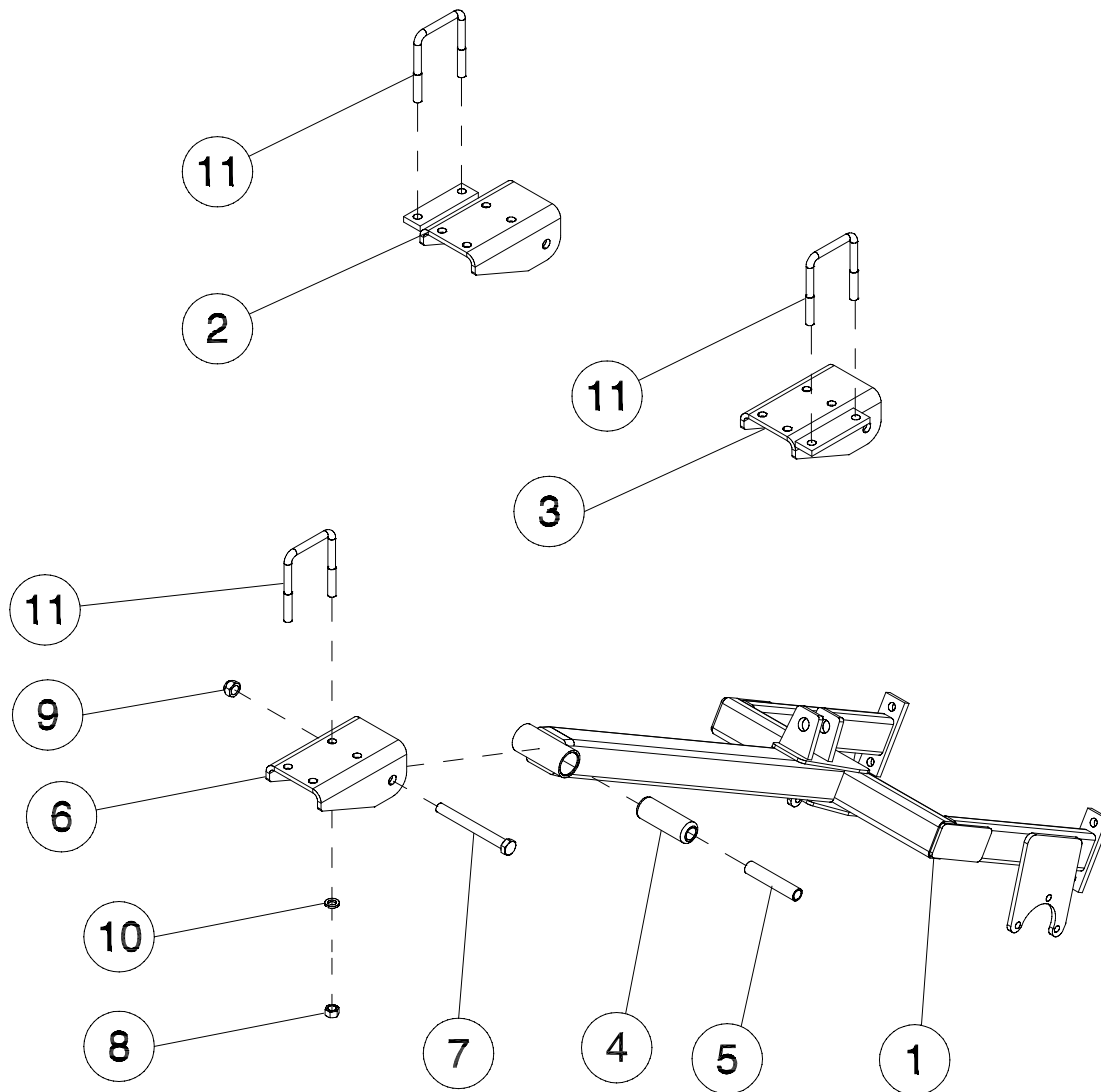


Note: Maintain clearance of approximately 1/4" between scraper and packer wheel.

Note: Place mudscraper behind packer wheels

Item	Part No.	Description	Qty																				
1	S29966	Mud Scraper Bracket.....	1																				
2	S29965	Mud Scraper Bar.....	1																				
3	W-498	Hex Bolt - 5/8 x 1 3/4.....	1																				
4	W-517	Hex Nut - 5/8.....	1																				
	S29970	Mud Scraper Assembly (Includes all above items)																					
<table border="1" style="margin: auto; border-collapse: collapse;"> <thead> <tr> <th colspan="4" style="text-align: center;">Number of Mud Scraper Assemblies required for each machine:</th> </tr> <tr> <th></th> <th style="text-align: center;">7 1/2" Spacing</th> <th style="text-align: center;">10" Spacing</th> <th style="text-align: center;">12" Spacing</th> </tr> </thead> <tbody> <tr> <td style="text-align: left;">40'</td> <td style="text-align: center;">64</td> <td style="text-align: center;">48</td> <td style="text-align: center;">40</td> </tr> <tr> <td style="text-align: left;">50'</td> <td style="text-align: center;">80</td> <td style="text-align: center;">60</td> <td style="text-align: center;">52</td> </tr> <tr> <td style="text-align: left;">60'</td> <td style="text-align: center;">96</td> <td style="text-align: center;">72</td> <td style="text-align: center;">60</td> </tr> </tbody> </table>				Number of Mud Scraper Assemblies required for each machine:					7 1/2" Spacing	10" Spacing	12" Spacing	40'	64	48	40	50'	80	60	52	60'	96	72	60
Number of Mud Scraper Assemblies required for each machine:																							
	7 1/2" Spacing	10" Spacing	12" Spacing																				
40'	64	48	40																				
50'	80	60	52																				
60'	96	72	60																				

Packer Gangs Arm Assembly



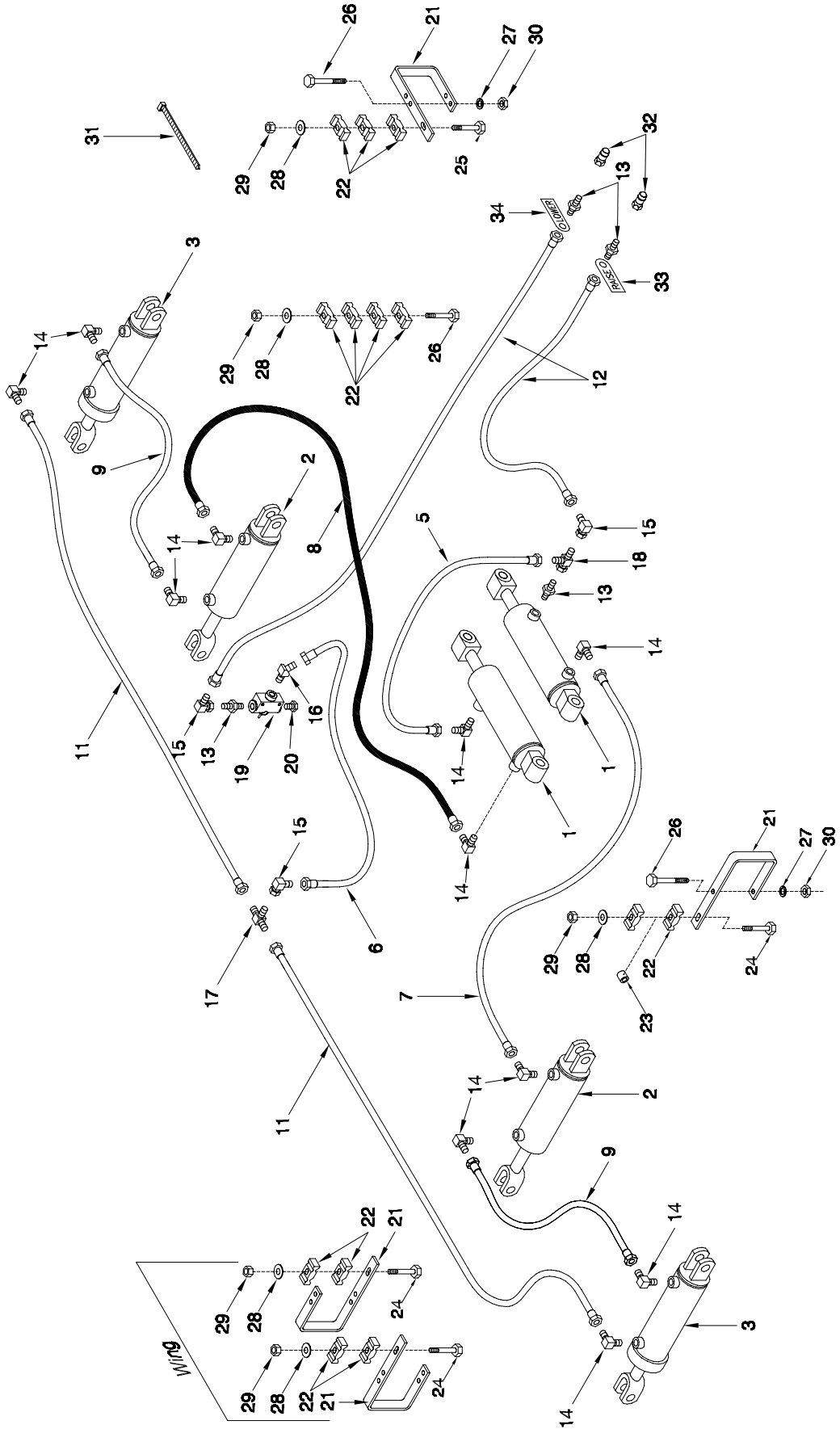
Item	Part No.	Description	Qty
1	*****	Packer Gang Fork	1
2	S39268	Bracket - Packer Fork Extended - Left	1
3	S39269	Bracket - Packer Fork Extended - Right	1
4	S39150	Bushing - 1 3/4 OD x 1 ID Polyurethane	1
5	S39042	Bushing - 1 OD x .760 ID	1
6	S39038	Bracket - Packer Fork Mtg Std	1
7	S32590	Hex Bolt - 3/4 x 7 GR8	1
8	W-517	Hex Nut - 5/8	8
9	D-5273	Locknut - 3/4 Unitorque	1
10	W-526	Lockwasher - 5/8	8
11	C-219	U-Bolt - 5/8 x 4 x 5 9/16	4

Section 9: Depth Control Hydraulics

Section Contents

40 ft Models - Internal Collars	9-2
40 ft Models	9-4
50 ft & 60 ft Models - Internal Collars	9-6
50 ft & 60 ft Models	9-8
Flow Divider	9-10

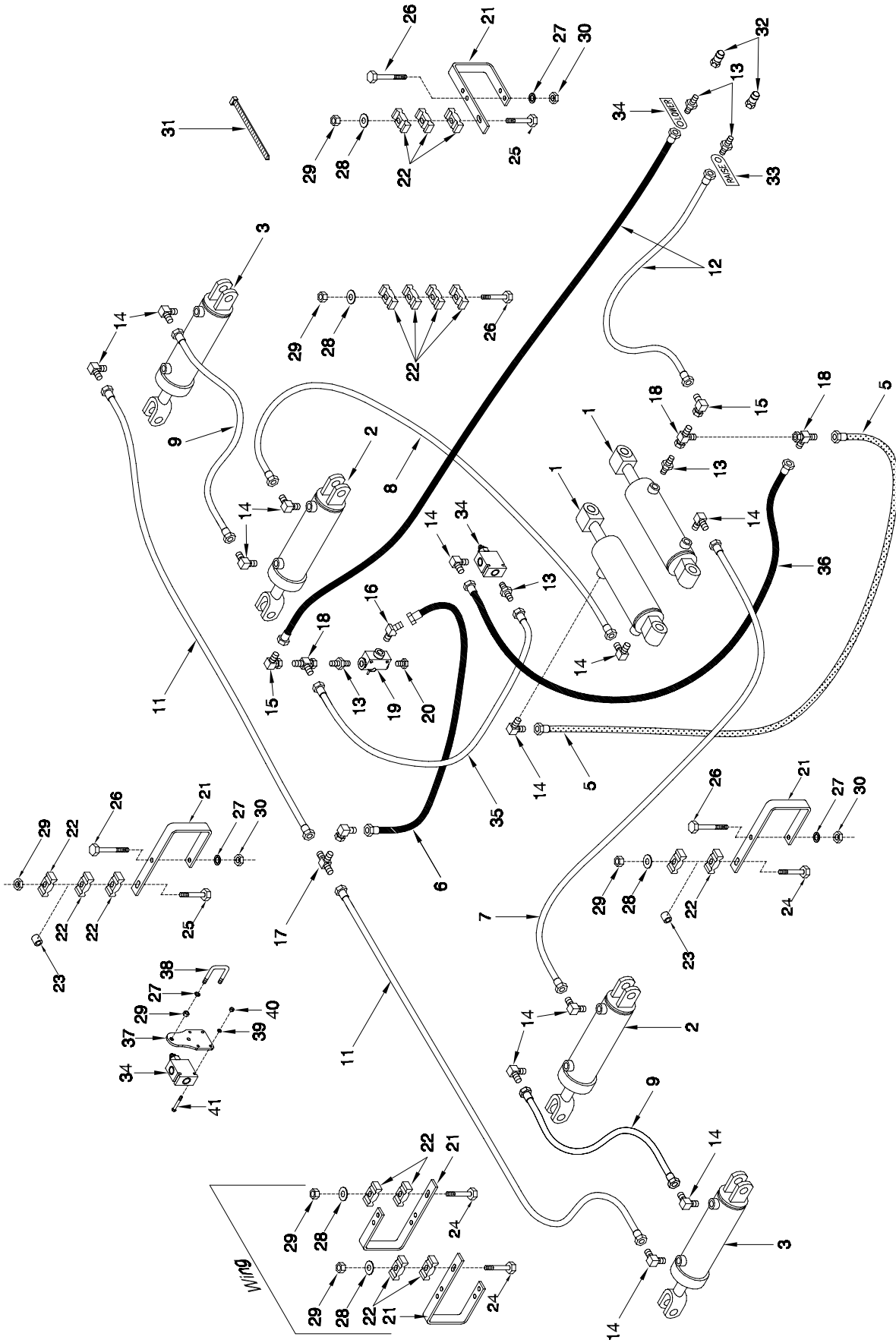
Depth Control Hydraulics 40 ft Models - Internal Collars



Depth Control Hydraulics - 40 ft Models - Internal Collars

Item	Part No.	Description	Qty
1	C39495	Cylinder - 5 x 12 BBP	2
2	C39577	Cylinder - 4 1/4 x 14 GBP	2
3	C33879	Cylinder - 4 x 14 GBP	2
4	*****		
5	C-4468	Hyd Hose - 1/2 x 24 Lg w/7/8-14 FJIC	1
6	F-4565	Hyd Hose - 1/2 x 60 Lg w/7/8-14 FJIC	1
7	H-4408	Hyd Hose - 1/2 x 84 Lg w/7/8-14 FJIC	1
8	H-4410	Hyd Hose - 1/2 x 94 Lg w/7/8-14 FJIC	1
9	C26336	Hyd Hose - 1/2 x 198 Lg w/7/8-14 FJIC	2
10	*****		
11	C26337	Hyd Hose - 1/2 x 276 Lg w/7/8-14 FJIC	2
12	S39523	Hyd Hose - 1/2 x 420 Lg w/7/8-14 FJIC	2
13	C14840	Connector - 7/8-14 MJIC x 3/4-16 MORB	4
14	C24585	90 Male Elbow - 7/8-14 MJIC x 3/4-16 MORB	11
15	K-5806	90 Elbow - Swivel - 7/8-14 MJIC x 7/8-14 FJIC	3
16	C26333	45 Elbow - 7/8-14 MJIC x 3/4-16 MORB	1
17	C-4394	Tee - (3) 7/8-14 MJIC	1
18	H18746	Tee - (2) 7/8-14 MJIC x (1) 7/8-14 FJIC	1
19	C28501	Depth Stop Valve	1
20	C28505	Plug - 3/4 ORB	1
21	C14411	Oil Line Bracket	12
22	C-4698	Oil Line Clamp	34
23	N16257	Spacer	2
24	W-480	Hex Bolt - 3/8 x 2 1/2	7
25	C-1550	Hex Bolt - 3/8 x 4	12
26	C-3918	Hex Bolt - 3/8 x 5 Lg	14
27	W-523	Lockwasher - 3/8	12
28	W-538	Flatwasher - 3/8	21
29	M-3388	Locknut - 3/8	21
30	W-514	Hex Nut - 3/8	12
31	D-4838	Nylon Tie Strap - (Black) 14 1/2 Lg	12
31A	D-4951	Nylon Tie Strap - 7 3/8 Lg	12
31B	S13336	Plastic Tie Strap - 3/8 x 24 Lg	15
32	N34443	Male Tip - 3/4-16 ORB	8
33	S29958	Tag - Hose ID - Depth Control - RAISE	1
34	S29959	Tag - Hose ID - Depth Control - LOWER	1

Depth Control Hydraulics 40 ft Models



Depth Control Hydraulics - 40 ft Models

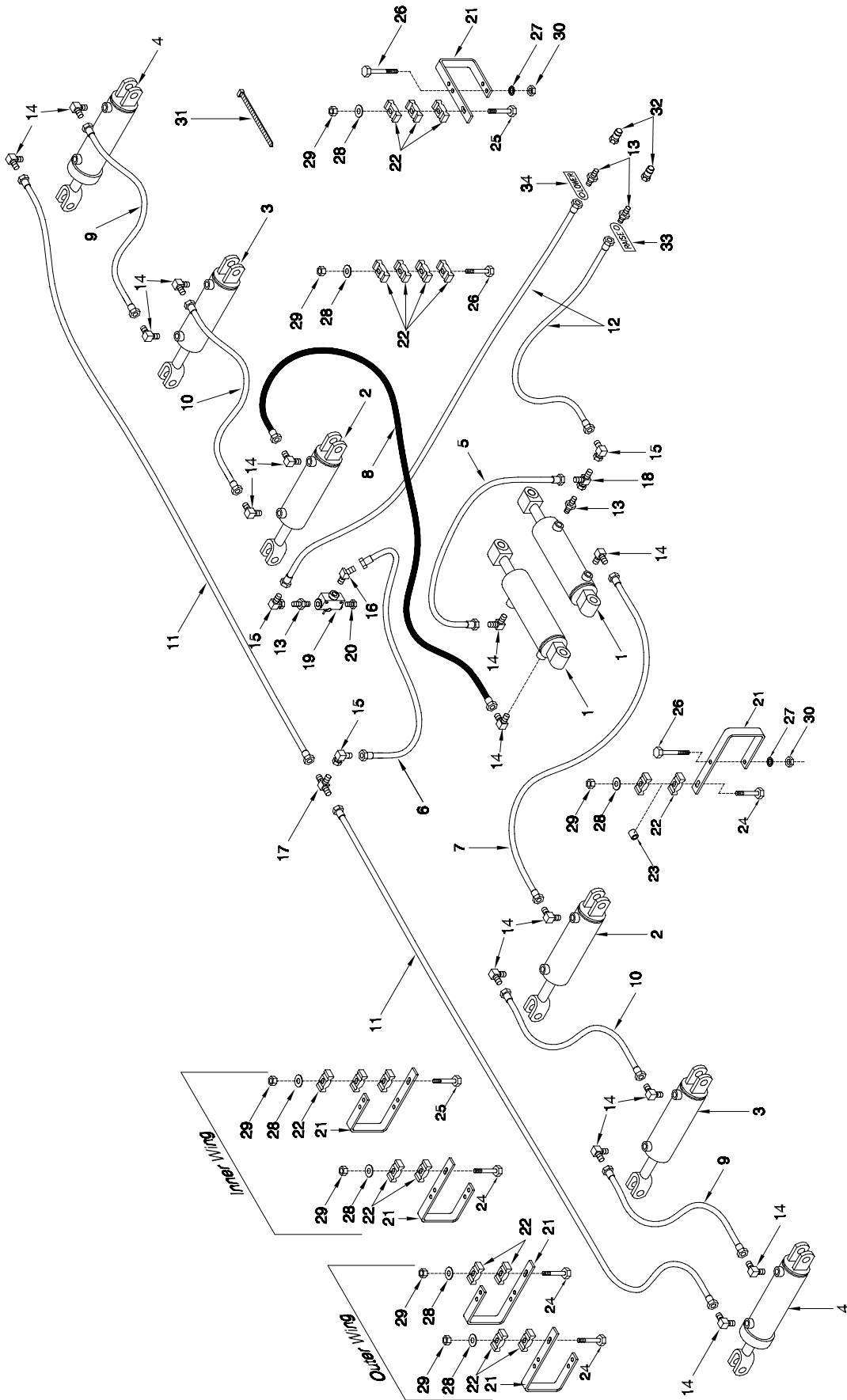
Item	Part No.	Description	Qty
1	C39495	Hyd Cylinder - 5 x 12 BBP	2
2	C40380	Hyd Cylinder - 4 1/4 x 14 GBP	2
3	C33879	Hyd Cylinder - 4 x 14 GBP	2
4	*****		
5	C-4468	Hyd Hose - 1/2 x 24 Lg w/7/8-14 FJIC	1
6	F-4565	Hyd Hose - 1/2 x 60 Lg w/7/8-14 FJIC	1
7	H-4408	Hyd Hose - 1/2 x 84 Lg w/7/8-14 FJIC	1
8	H-4410	Hyd Hose - 1/2 x 94 Lg w/7/8-14 FJIC	1
9	C26336	Hyd Hose - 1/2 x 198 Lg w/7/8-14 FJIC	2
10	*****		
11	C26337	Hyd Hose - 1/2 x 276 Lg w/7/8-14 FJIC	2
12	S39523	Hyd Hose - 1/2 x 420 Lg w/7/8-14 FJIC	2
13	C14840	Connector - 7/8-14 MJIC x 3/4-16 MORB	3
14	C24585	90 Male Elbow - 7/8-14 MJIC x 3/4-16 MORB	16
15	K-5806	90 Elbow - Swivel - 7/8-14 MJIC x 7/8-14 FJIC	2
16	C26333	45 Elbow - 7/8-14 MJIC x 3/4-16 MORB	1
17	C-4394	Tee - (3) 7/8-14 MJIC	1
18	H18746	Tee - (2) 7/8-14 MJIC x (1) 7/8-14 FJIC	1
19	C28501	Depth Stop Valve	1
20	N27589	Bracket - Coupler	1
21	C14411	Oil Line Bracket	6
22	C-4698	Oil Line Clamp	21
23	N16257	Spacer	1
24	N19678	Hex Bolt - 3/8 x 7	1
25	D-5249	Hex Bolt - 3/8 x 3 1/4	7
26	C-3918	Hex Bolt - 3/8 x 5	5
27	W-523	Lockwasher - 3/8	6
28	M-3388	Locknut - 3/8	7
29	W-514	Hex Nut - 3/8	6
30	D-4838	Nylon Tie Strap - (Black) 14 1/2 Lg	15
30A	D-4951	Nylon Tie Strap - 7 3/8 Lg	6
30B	S13336	Plastic Tie Strap - 3/8 x 24 Lg	15
31	N34443	Male Tip - 3/4-16 ORB	2
32	S29958	Tag - Hose ID - Depth Control - RAISE	1
33	S29959	Tag - Hose ID - Depth Control - LOWER	1
34	S44954	Relief Valve	1
35	C-4404	Hyd Hose - 1/2 x 36 Lg w/7/8-14 FJIC	1
36	C18779	Hyd Hose - 1/2 x 72 Lg w/7/8-14 FJIC	1
37	S39546	Mounting Bracket - Valve	1
38	N15097	U-Bolt - 3/8 x 2 x 5 Lg	1
39	W-521	Lockwasher - 1/4	2
40	W-512	Hex Nut - 1/4	2
41	W-1540	Hex Bolt - 1/4 x 2 Lg	2

Important

Do Not Extend Cylinder Shafts manually.

See "Priming Hydraulic System" for correct procedure.

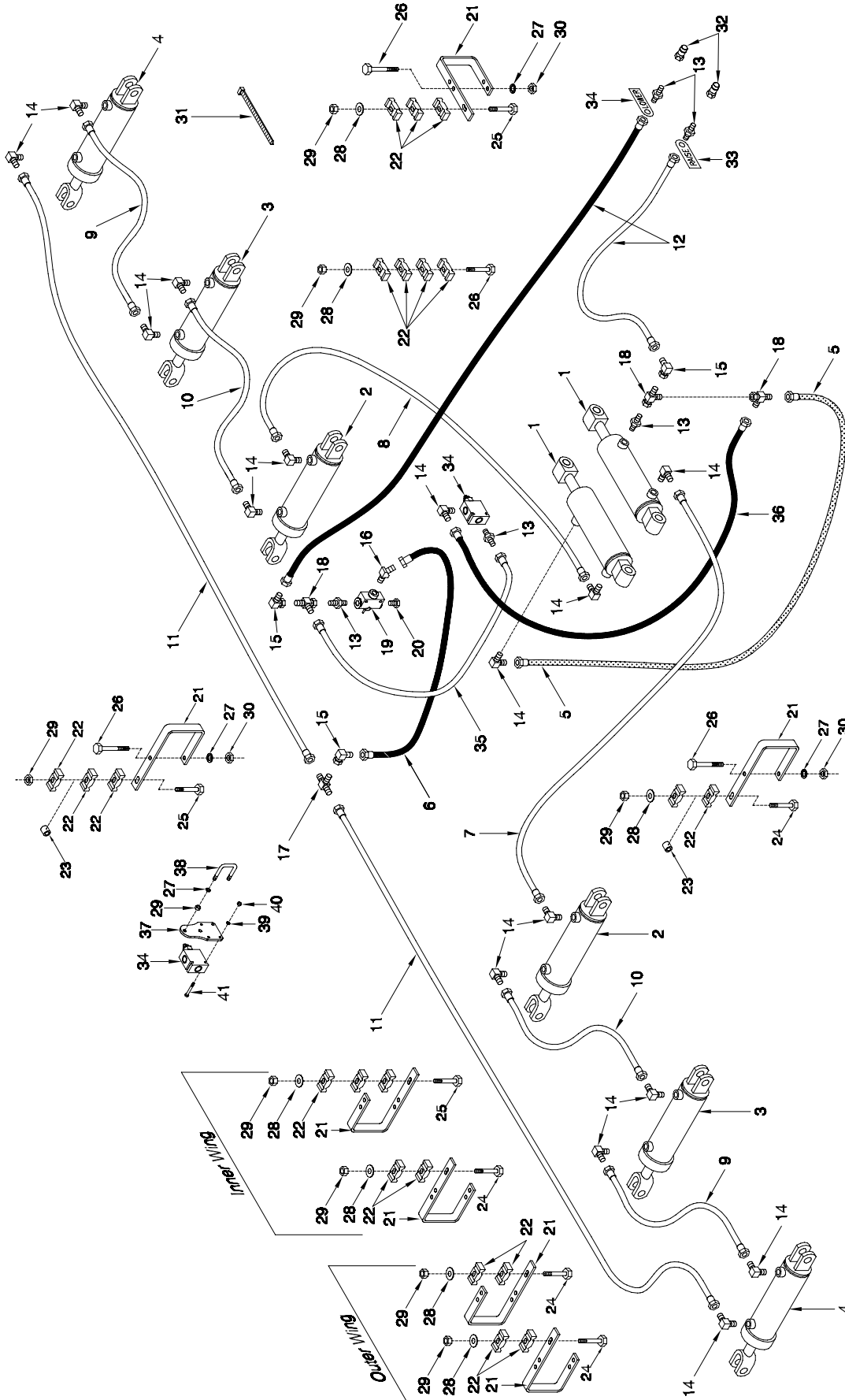
Depth Control Hydraulics 50 ft & 60 ft Models - Internal Collars



Depth Control Hydraulics - 50 ft & 60 ft Models - Internal Collars

Item	Part No.	Description	Qty
1	C39495	Cylinder - 5 x 12 BBP	2
2	C39578	Cylinder - 4 1/2 x 14 GBP	2
3	C39577	Cylinder - 4 1/4 x 14 GBP	2
4	C33879	Cylinder - 4 x 14 GBP	2
5	C-4468	Hyd Hose - 1/2 x 24 Lg w/7/8-14 FJIC	1
6	F-4565	Hyd Hose - 1/2 x 60 Lg w/7/8-14 FJIC	1
7	H-4408	Hyd Hose - 1/2 x 84 Lg w/7/8-14 FJIC	1
8	H-4410	Hyd Hose - 1/2 x 94 Lg w/7/8-14 FJIC	1
9	C26345	Hyd Hose - 1/2 x 126 Lg w/7/8-14 FJIC (50 ft)	2
	S39504	Hyd Hose - 1/2 x 168 Lg w/7/8-14 FJIC (60 ft)	2
10	N21721	Hyd Hose - 1/2 x 180 Lg w/7/8-14 FJIC (50 ft)	2
	C26336	Hyd Hose - 1/2 x 198 Lg w/7/8-14 FJIC (60 ft)	2
11	S39524	Hyd Hose - 1/2 x 312 Lg w/7/8-14 FJIC (50 ft)	2
	C29565	Hyd Hose - 1/2 x 360 Lg w/7/8-14 FJIC (60 ft)	2
12	S39523	Hyd Hose - 1/2 x 420 Lg w/7/8-14 FJIC	2
13	C14840	Connector - 7/8-14 MJIC x 3/4-16 MORB	4
14	C24585	90 Male Elbow - 7/8-14 MJIC x 3/4-16 MORB	15
15	K-5806	90 Elbow - Swivel - 7/8-14 MJIC x 7/8-14 FJIC	3
16	C26333	45 Elbow - 7/8-14 MJIC x 3/4-16 MORB	1
17	C-4394	Tee - (3) 7/8-14 MJIC	1
18	H18746	Tee - (2) 7/8-14 MJIC x (1) 7/8-14 FJIC	1
19	C28501	Depth Stop Valve	1
20	C28505	Plug - 3/4 ORB	1
21	C14411	Oil Line Bracket	16
22	C-4698	Oil Line Clamp	44
23	N16257	Spacer	2
24	W-480	Hex Bolt - 3/8 x 2 1/2	11
25	C-1550	Hex Bolt - 3/8 x 4	14
26	C-3918	Hex Bolt - 3/8 x 5 Lg	18
27	W-523	Lockwasher - 3/8	16
28	W-538	Flatwasher - 3/8	27
29	M-3388	Locknut - 3/8	27
30	W-514	Hex Nut - 3/8	16
31	D-4838	Nylon Tie Strap - (Black) 14 1/2 Lg	24
31A	D-4951	Nylon Tie Strap - 7 3/8 Lg	24
31B	S13336	Plastic Tie Strap - 3/8 x 24 Lg	12
32	N34443	Male Tip - 3/4-16 ORB	2
33	S29958	Tag - Hose ID - Depth Control - RAISE	1
34	S29959	Tag - Hose ID - Depth Control - LOWER	1

Depth Control Hydraulics 50 ft & 60 ft Models



Depth Control Hydraulics - 50 ft & 60 ft Models

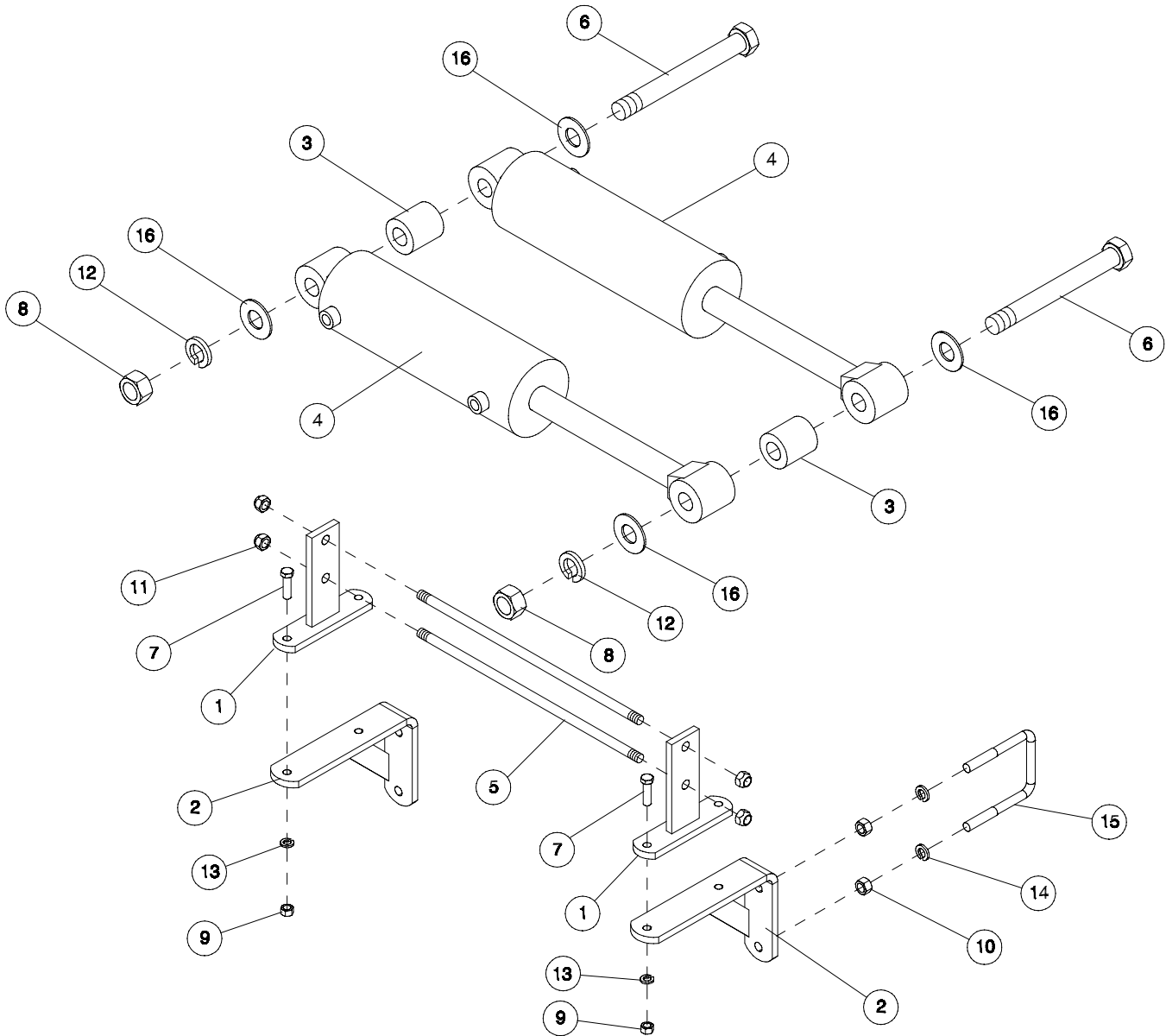
Item	Part No.	Description	Qty
1	C39495	Hyd Cylinder - 5 x 12 BBP	2
2	C40390	Hyd Cylinder - 4 1/2 x 14 GBP	2
3	C40380	Hyd Cylinder - 4 1/4 x 14 GBP	2
4	C33879	Hyd Cylinder - 4 x 14 GBP	2
5	C-4468	Hyd Hose - 1/2 x 24 Lg w/7/8-14 FJIC	1
6	F-4565	Hyd Hose - 1/2 x 60 Lg w/7/8-14 FJIC	1
7	H-4408	Hyd Hose - 1/2 x 84 Lg w/7/8-14 FJIC	1
8	H-4410	Hyd Hose - 1/2 x 94 Lg w/7/8-14 FJIC	1
9	C26345	Hyd Hose - 1/2 x 126 Lg w/7/8-14 FJIC (50 ft)	2
	S39504	Hyd Hose - 1/2 x 168 Lg w/7/8-14 FJIC (60 ft)	2
10	N21721	Hyd Hose - 1/2 x 180 Lg w/7/8-14 FJIC (50 ft)	2
	C26336	Hyd Hose - 1/2 x 198 Lg w/7/8-14 FJIC (60 ft)	2
11	S39524	Hyd Hose - 1/2 x 312 Lg w/7/8-14 FJIC (50 ft)	2
	C29565	Hyd Hose - 1/2 x 360 Lg w/7/8-14 FJIC (60 ft)	2
12	S39523	Hyd Hose - 1/2 x 420 Lg w/7/8-14 FJIC	2
13	C14840	Connector - 7/8-14 MJIC x 3/4-16 MORB	4
14	C24585	90 Male Elbow - 7/8-14 MJIC x 3/4-16 MORB	17
15	K-5806	90 Elbow - Swivel - 7/8-14 MJIC x 7/8-14 FJIC	2
16	C26333	45 Elbow - 7/8-14 MJIC x 3/4-16 MORB	1
17	C-4394	Tee - (3) 7/8-14 MJIC	1
18	H18746	Tee - (2) 7/8-14 MJIC x (1) 7/8-14 FJIC	3
19	C28501	Depth Stop Valve	1
20	N27589	Bracket - Coupler	1
21	C14411	Oil Line Bracket	8
22	C-4698	Oil Line Clamp	21
23	N16257	Spacer	1
24	N19678	Hex Bolt - 3/8 x 7	1
25	D-5249	Hex Bolt - 3/8 x 3 1/4	7
26	C-3918	Hex Bolt - 3/8 x 5	5
27	W-523	Lockwasher - 3/8	8
28	M-3388	Locknut - 3/8	7
29	W-514	Hex Nut - 3/8	8
30	D-4838	Nylon Tie Strap - (Black) 14 1/2 Lg	15
30A	D-4951	Nylon Tie Strap - 7 3/8 Lg	6
30B	S13336	Plastic Tie Strap - 3/8 x 24 Lg	15
31	N34443	Male Tip - 3/4-16 ORB	2
32	S29958	Tag - Hose ID - Depth Control - RAISE	1
33	S29959	Tag - Hose ID - Depth Control - LOWER	1
34	S44954	Relief Valve	1
35	C-4404	Hyd Hose - 1/2 x 36 Lg w/7/8-14 FJIC	1
36	C18779	Hyd Hose - 1/2 x 72 Lg w/7/8-14 FJIC	1
37	S39546	Mounting Bracket - Valve	1
38	N15097	U-Bolt - 3/8 x 2 x 5 Lg	1
39	W-521	Lockwasher - 1/4	2
40	W-512	Hex Nut - 1/4	2
41	W-1540	Hex Bolt - 1/4 x 2 Lg	2

Important

Do Not Extend Cylinder Shafts manually.

See "Priming Hydraulic System" for correct procedure.

Depth Control Hydraulics Flow Divider



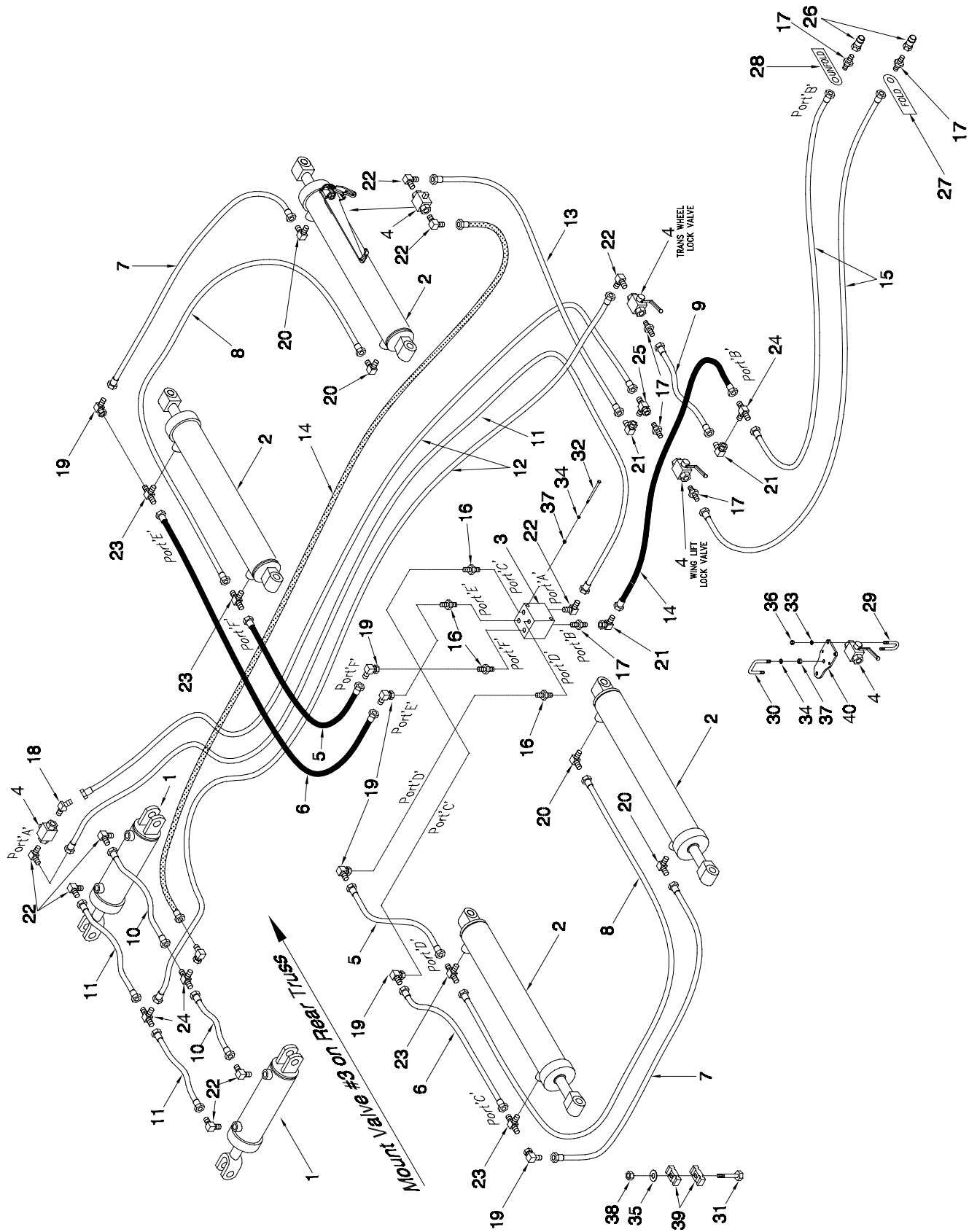
Item	Part No.	Description	Qty
1	N34309	Mounting Bracket	2
2	S39331	Flow Divider Mounting Bracket	2
3	S39481	Spacer Block	2
4	C39495	Cylinder - 5 x 12 Butt Bypass	2
5	C18589	Tie Rod - 5/8	2
6	S39488	Hex Bolt - 1 1/4 x 11 Lg	2
7	S-1189	Hex Bolt - 1/2 x 1 3/4 Lg	4
8	P61D20	Hex Nut - 1 1/4	2
9	W-516	Hex Nut - 1/2	4
10	W-517	Hex Nut - 5/8	4
11	S-1197	Locknut - 5/8 Unitorque	4
12	C39432	Lockwasher - 1 1/4	2
13	W-525	Lockwasher - 1/2	4
14	W-526	Lockwasher - 5/8	4
15	C-219	U-Bolt - 5/8 x 4 x 5 9/16	2
16	D-5499	Washer - 1 5/16 ID x 2 3/4 OD x 9 Ga	4

Section 10: Wing Lift Hydraulics

Section Contents

40 ft Models - Prior to June 2005	10-2
40 ft Models - From June 2005 to May 2006	10-4
40 ft Models - From May 2006	10-6
50 ft & 60 ft Models - Prior to 2010	10-8
50 ft & 60 ft Models - From 2010	10-10

Wing Lift Hydraulics 40 ft Models - Prior to June 2005

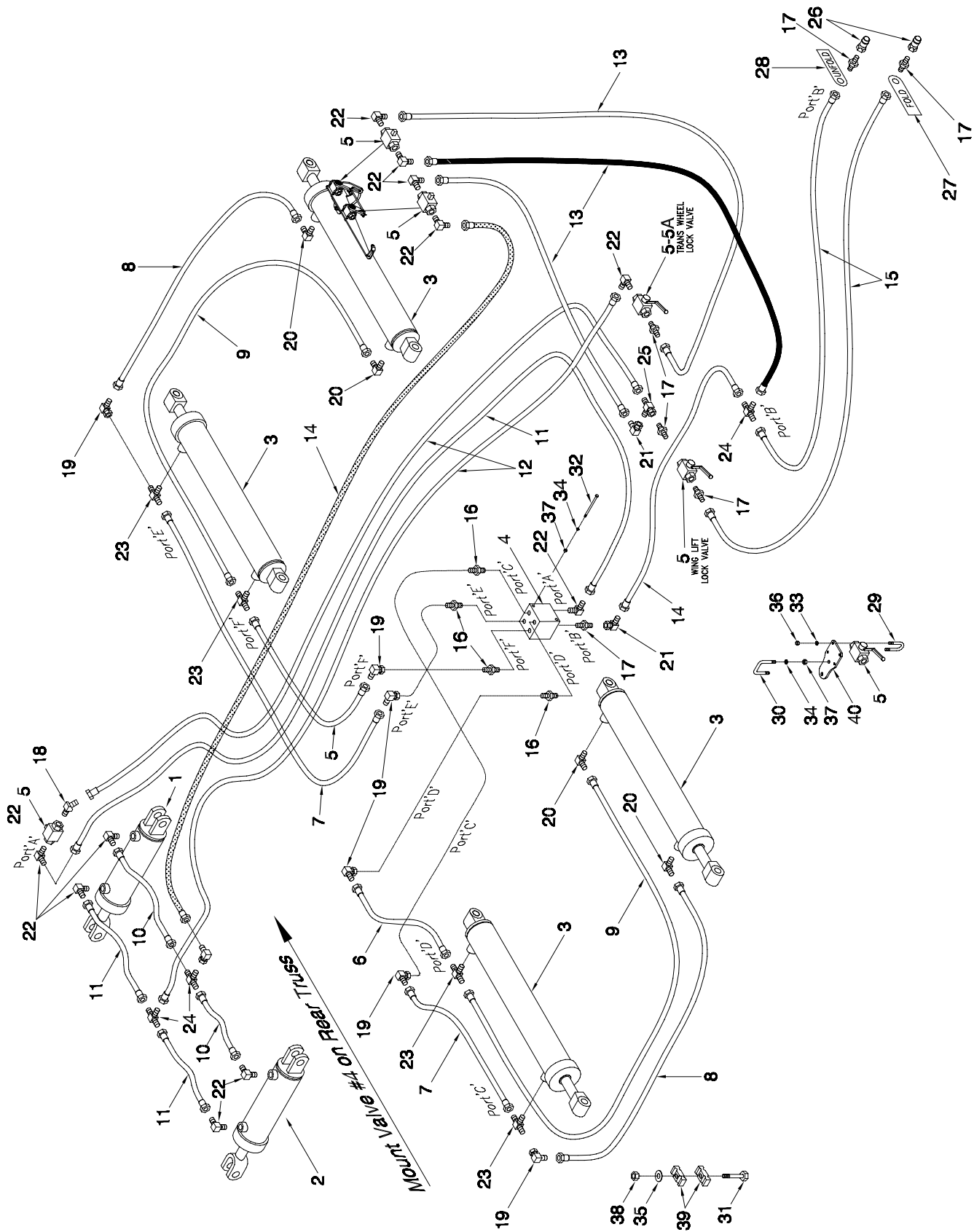


Wing Lift Hydraulics - 40 ft Models - Prior to June 2005

Item	Part No.	Description	Qty
1	C39175	Cylinder - 3 1/2 x 12	2
2	C39030	Cylinder - 4 1/2 x 36	2
3	C26876	Manifold Pressure Compensated Flow Control	1
4	N42880	Valve - 2 Way Ball	4
4A	N42881	Handle - Valve	2
5	C26438	Hyd Hose - 1/4 x 30 Lg w/9/16-18 FJIC	2
6	S39506	Hyd Hose - 1/4 x 66 Lg w/9/16-18 FJIC	2
7	C26339	Hyd Hose - 1/4 x 120 Lg w/9/16-18 FJIC	2
8	D17585	Hyd Hose - 1/4 x 176 Lg w/9/16-18 FJIC	2
9	C-4383	Hyd Hose - 1/2 x 20 Lg w/7/8-14 FJIC	1
10	C18779	Hyd Hose - 1/2 x 72 Lg w/7/8-14 FJIC	2
11	H-4408	Hyd Hose - 1/2 x 84 Lg w/7/8-14 FJIC	3
12	S39504	Hyd Hose - 1/2 x 168 Lg w/7/8-14 FJIC	2
13	C-4404	Hyd Hose - 1/2 x 36 Lg w/7/8-14 FJIC	1
14	C26336	Hyd Hose - 1/2 x 198 Lg w/7/8-14 FJIC	2
15	C26337	Hyd Hose - 1/2 x 276 Lg w/7/8-14 FJIC	2
16	C15348	Connector - 9/16-18 MJIC x 3/4-16 MORB	4
17	C14840	Connector - 7/8-14 MJIC x 3/4-16 MORB	6
18	C26333	45 Elbow - 7/8-14 MJIC x 3/4-16 MORB	1
19	S29967	90 Elbow - 9/16-18 FJIC x 9/16-18 MJIC	6
20	N16143	90 Elbow - 9/16-18 MJIC x 9/16-18 MORB	4
21	K-5806	90 Elbow - 7/8-14 MJIC x 7/8-14 FJIC	3
22	C24585	90 Elbow - 7/8-14 MJIC x 3/4-16 MORB	9
23	N31908	Tee - (2) 9/16-18 MJIC x (1) 9/16-18 MORB	4
24	C-4394	Tee - (3) 7/8-14 MJIC	4
25	H18746	Tee - (2) 7/8-14 MJIC x (1) 7/8-14 FJIC	1
26	N34443	Male Tip - 3/4-16 ORB	2
27	S29960	Tag - Hose ID - Wing Lift - FOLD	1
28	S29961	Tag - Hose ID - Wing Lift - UNFOLD	1
29	N34319	U-Bolt - 1/4 x 1 1/2 x 1 3/4 Lg	4
30	N15097	U-Bolt - 3/8 x 2 x 5 Lg	2
31	W-480	Hex Bolt - 3/8 x 2 1/2	4
32	C-3918	Hex Bolt - 3/8 x 5 Lg	2
33	W-521	Lockwasher - 1/4	8
34	W-523	Lockwasher - 3/8	6
35	W-538	Flatwasher - 3/8	4
36	W-512	Hex Nut - 1/4	8
37	W-514	Hex Nut - 3/8	6
38	M-3388	Locknut - 3/8	4
39	C-4698	Oil Line Clamp	8
40	S39546	Mounting Bracket - Valve	2

Wing Lift Hydraulics

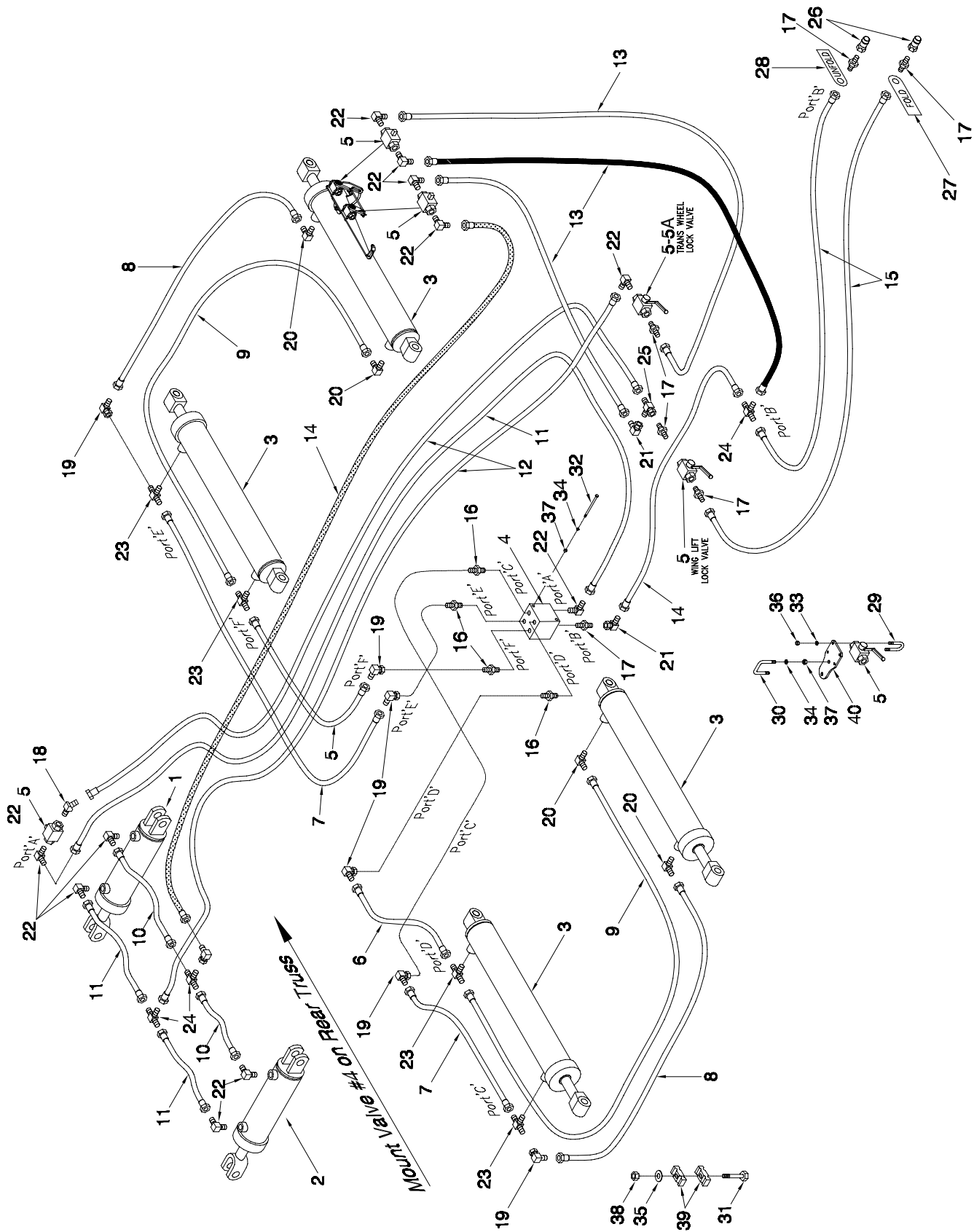
40 ft Models - From June 2005 to May 2006



Wing Lift Hydraulics - 40 ft Models - From June 2005 to May 2006

Item	Part No.	Description	Qty
1	C39175	Cylinder - 3 1/2 x 12	1
2	C39932	Cylinder - 4 x 12	1
3	C39030	Cylinder - 4 1/2 x 36	2
4	C26876	Manifold Pressure Compensated Flow Control	1
5	N42880	Valve - 2 Way Ball	5
5A	N42881	Handle - Valve	2
6	C26438	Hyd Hose - 1/4 x 30 Lg w/9/16-18 FJIC	2
7	S39506	Hyd Hose - 1/4 x 66 Lg w/9/16-18 FJIC	2
8	C26339	Hyd Hose - 1/4 x 120 Lg w/9/16-18 FJIC	2
9	D17585	Hyd Hose - 1/4 x 176 Lg w/9/16-18 FJIC	2
10	C18779	Hyd Hose - 1/2 x 72 Lg w/7/8-14 FJIC	2
11	H-4408	Hyd Hose - 1/2 x 84 Lg w/7/8-14 FJIC	3
12	S39504	Hyd Hose - 1/2 x 168 Lg w/7/8-14 FJIC	2
13	C-4404	Hyd Hose - 1/2 x 36 Lg w/7/8-14 FJIC	3
14	C26336	Hyd Hose - 1/2 x 198 Lg w/7/8-14 FJIC	2
15	C26337	Hyd Hose - 1/2 x 276 Lg w/7/8-14 FJIC	2
16	C15348	Connector - 9/16-18 MJIC x 3/4-16 MORB	4
17	C14840	Connector - 7/8-14 MJIC x 3/4-16 MORB	6
18	C26333	45 Elbow - 7/8-14 MJIC x 3/4-16 MORB	1
19	S29967	90 Elbow - 9/16-18 FJIC x 9/16-18 MJIC	6
20	N16143	90 Elbow - 9/16-18 MJIC x 9/16-18 MORB	4
21	K-5806	90 Elbow - 7/8-14 MJIC x 7/8-14 FJIC	2
22	C24585	90 Elbow - 7/8-14 MJIC x 3/4-16 MORB	11
23	N31908	Tee - (2) 9/16-18 MJIC x (1) 9/16-18 MORB	4
24	C-4394	Tee - (3) 7/8-14 MJIC	4
25	H18746	Tee - (2) 7/8-14 MJIC x (1) 7/8-14 FJIC	1
26	N34443	Male Tip - 3/4-16 ORB	2
27	S29960	Tag - Hose ID - Wing Lift - FOLD	1
28	S29961	Tag - Hose ID - Wing Lift - UNFOLD	1
29	N34319	U-Bolt - 1/4 x 1 1/2 x 1 3/4 Lg	4
30	N15097	U-Bolt - 3/8 x 2 x 5 Lg	2
31	W-480	Hex Bolt - 3/8 x 2 1/2	4
32	C-3918	Hex Bolt - 3/8 x 5 Lg	2
33	W-521	Lockwasher - 1/4	8
34	W-523	Lockwasher - 3/8	6
35	W-538	Flatwasher - 3/8	4
36	W-512	Hex Nut - 1/4	8
37	W-514	Hex Nut - 3/8	6
38	M-3388	Locknut - 3/8	4
39	C-4698	Oil Line Clamp	8
40	S39546	Mounting Bracket - Valve	2

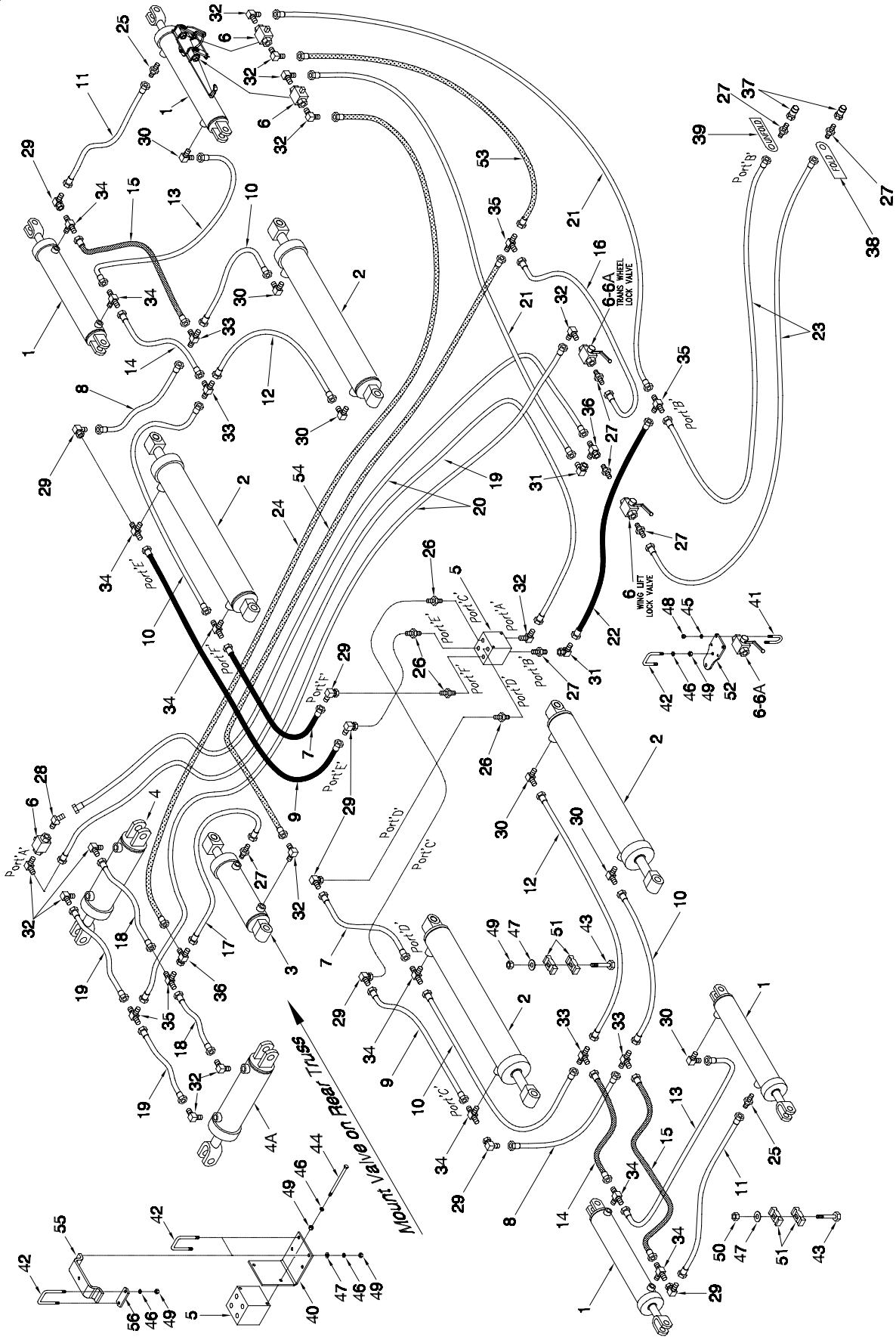
Wing Lift Hydraulics 40 ft Models - From May 2006



Wing Lift Hydraulics - 40 ft Models - From May 2006

Item	Part No.	Description	Qty
1	C39961	Cylinder - 4 x 12 w/Lift-1.75 shaft	1
2	C39960	Cylinder - 4 1/2 x 12 w/Lift-1.75 shaft	1
3	C39030	Cylinder - 4 1/2 x 36	2
4	C26876	Manifold Pressure Compensated Flow Control	1
5	N42880	Valve - 2 Way Ball	5
5A	N42881	Handle - Valve	2
6	C26438	Hyd Hose - 1/4 x 30 Lg w/9/16-18 FJIC	2
7	S39506	Hyd Hose - 1/4 x 66 Lg w/9/16-18 FJIC	2
8	C26339	Hyd Hose - 1/4 x 120 Lg w/9/16-18 FJIC	2
9	D17585	Hyd Hose - 1/4 x 176 Lg w/9/16-18 FJIC	2
10	C18779	Hyd Hose - 1/2 x 72 Lg w/7/8-14 FJIC	2
11	H-4408	Hyd Hose - 1/2 x 84 Lg w/7/8-14 FJIC	3
12	S39504	Hyd Hose - 1/2 x 168 Lg w/7/8-14 FJIC	2
13	C-4404	Hyd Hose - 1/2 x 36 Lg w/7/8-14 FJIC	3
14	C26336	Hyd Hose - 1/2 x 198 Lg w/7/8-14 FJIC	2
15	C26337	Hyd Hose - 1/2 x 276 Lg w/7/8-14 FJIC	2
16	C15348	Connector - 9/16-18 MJIC x 3/4-16 MORB	4
17	C14840	Connector - 7/8-14 MJIC x 3/4-16 MORB	6
18	C26333	45 Elbow - 7/8-14 MJIC x 3/4-16 MORB	1
19	S29967	90 Elbow - 9/16-18 FJIC x 9/16-18 MJIC	6
20	N16143	90 Elbow - 9/16-18 MJIC x 9/16-18 MORB	4
21	K-5806	90 Elbow - 7/8-14 MJIC x 7/8-14 FJIC	2
22	C24585	90 Elbow - 7/8-14 MJIC x 3/4-16 MORB	11
23	N31908	Tee - (2) 9/16-18 MJIC x (1) 9/16-18 MORB	4
24	C-4394	Tee - (3) 7/8-14 MJIC	4
25	H18746	Tee - (2) 7/8-14 MJIC x (1) 7/8-14 FJIC	1
26	N34443	Male Tip - 3/4-16 ORB	2
27	S29960	Tag - Hose ID - Wing Lift - FOLD	1
28	S29961	Tag - Hose ID - Wing Lift - UNFOLD	1
29	N34319	U-Bolt - 1/4 x 1 1/2 x 1 3/4 Lg	4
30	N15097	U-Bolt - 3/8 x 2 x 5 Lg	2
31	W-480	Hex Bolt - 3/8 x 2 1/2	4
32	C-3918	Hex Bolt - 3/8 x 5 Lg	2
33	W-521	Lockwasher - 1/4	8
34	W-523	Lockwasher - 3/8	6
35	W-538	Flatwasher - 3/8	4
36	W-512	Hex Nut - 1/4	8
37	W-514	Hex Nut - 3/8	6
38	M-3388	Locknut - 3/8	4
39	C-4698	Oil Line Clamp	8
40	S39546	Mounting Bracket - Valve	2

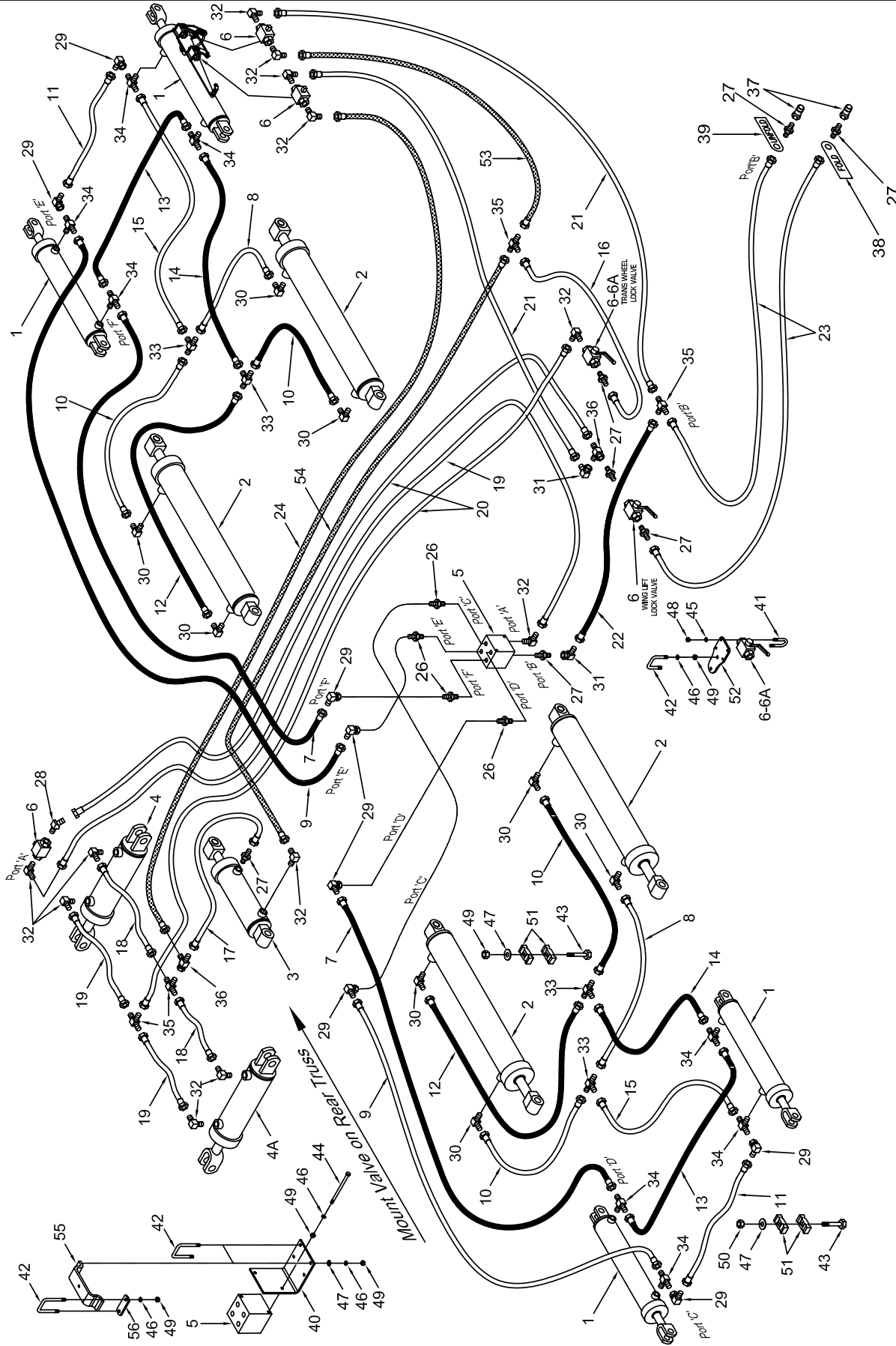
Wing Lift Hydraulics 50 ft & 60 ft Models - Prior to 2010



Wing Lift Hydraulics - 50 ft & 60 ft Models - Prior to 2010

Item	Part No.	Description	Qty
1	C34442	Cylinder - 4 1/2 x 30	2
2	C39030	Cylinder - 4 1/2 x 36 (50 ft)	2
	C39490	Cylinder - 5 x 36 (60 ft)	2
3	C39564	Cylinder - 5 x 8	1
4	C39961	Cylinder - 4 x 12 w/Lift-1.75 shaft	1
4A	C39960	Cylinder - 4 1/2 x 12 w/Lift-1.75 shaft	1
5	C26876	Manifold Pressure Compensated Flow Control	1
6	N42880	Valve - 2 Way Ball	5
6A	N42881	Handle - Valve	2
7	C26438	Hyd Hose - 1/4 x 30 Lg w/9/16-18 FJIC	2
8	C14835	Hyd Hose - 1/4 x 36 Lg w/9/16-18 FJIC	2
9	S39506	Hyd Hose - 1/4 x 66 Lg w/9/16-18 FJIC	2
10	H18266	Hyd Hose - 1/4 x 80 Lg w/9/16-18 FJIC	4
11	H18267	Hyd Hose - 1/4 x 96 Lg w/9/16-18 FJIC	2
12	W21962	Hyd Hose - 1/4 x 108 Lg w/9/16-18 FJIC	2
13	F14658	Hyd Hose - 1/4 x 150 Lg w/9/16-18 FJIC	2
14	C26339	Hyd Hose - 1/4 x 120 Lg w/9/16-18 FJIC (50 ft)	2
	F14658	Hyd Hose - 1/4 x 150 Lg w/9/16-18 FJIC (60 ft)	2
15	F14658	Hyd Hose - 1/4 x 150 Lg w/9/16-18 FJIC (50 ft)	4
	D17585	Hyd Hose - 1/4 x 176 Lg w/9/16-18 FJIC (60 ft)	2
16	C-4383	Hyd Hose - 1/2 x 20 Lg w/7/8-14 FJIC	1
17	C-4468	Hyd Hose - 1/2 x 24 Lg w/7/8-14 FJIC	1
18	C18779	Hyd Hose - 1/2 x 72 Lg w/7/8-14 FJIC	2
19	H-4408	Hyd Hose - 1/2 x 84 Lg w/7/8-14 FJIC	3
20	S39504	Hyd Hose - 1/2 x 168 Lg w/7/8-14 FJIC	2
21	C26343	Hyd Hose - 1/2 x 162 Lg w/7/8-14 FJIC (50 ft)	2
	N21721	Hyd Hose - 1/2 x 180 Lg w/7/8-14 FJIC (60 ft)	2
22	C26336	Hyd Hose - 1/2 x 198 Lg w/7/8-14 FJIC	1
23	C26337	Hyd Hose - 1/2 x 276 Lg w/7/8-14 FJIC	2
24	S39524	Hyd Hose - 1/2 x 312 Lg w/7/8-14 FJIC (50 ft)	1
	S39539	Hyd Hose - 1/2 x 330 Lg w/7/8-14 FJIC (60 ft)	1
25	N29358	Connector - 9/16-18 MJIC x 9/16-18 MORB	2
26	C15348	Connector - 9/16-18 MJIC x 3/4-16 MORB	4
27	C14840	Connector - 7/8-14 MJIC x 3/4-16 MORB	7
28	C26333	45 Elbow - 7/8-14 MJIC x 3/4-16 MORB	1
29	S29967	90 Elbow - 9/16-18 FJIC x 9/16-18 MJIC	8
30	N16143	90 Elbow - 9/16-18 MJIC x 9/16-18 MORB	6
31	K-5806	90 Elbow - 7/8-14 MJIC x 7/8-14 FJIC	2
32	C24585	90 Elbow - 7/8-14 MJIC x 3/4-16 MORB	12
33	C-4393	Tee - (3) 9/16-18 MJIC	4
34	N31908	Tee - (2) 9/16-18 MJIC x (1) 9/16-18 MORB	8
35	C-4394	Tee - (3) 7/8-14 MJIC	5
36	H18746	Tee - (2) 7/8-14 MJIC x (1) 7/8-14 FJIC	2
37	N34443	Male Tip - 3/4-16 ORB	2
38	S29960	Tag - Hose ID - Wing Lift - FOLD	1
39	S29961	Tag - Hose ID - Wing Lift - UNFOLD	1
40	S39565	Mounting Bracket - Valve	1
41	N34319	U-Bolt - 1/4 x 1 1/2 x 1 3/4 Lg	4
42	N15097	U-Bolt - 3/8 x 2 x 5 Lg	4
43	W-480	Hex Bolt - 3/8 x 2 1/2	8
44	C-3918	Hex Bolt - 3/8 x 5 Lg	2
45	W-521	Lockwasher - 1/4	8
46	W-523	Lockwasher - 3/8	14
47	W-538	Flatwasher - 3/8	12
48	W-512	Hex Nut - 1/4	8
49	W-514	Hex Nut - 3/8	14
50	M-3388	Locknut - 3/8	8
51	C-4698	Oil Line Clamp	16
52	S39546	Mounting Bracket - Valve	2
53	C26343	Hyd Hose - 1/2 x 162 w/ 7/8-14 FJIC (50 ft)	1
	N21721	Hyd Hose - 1/2 x 180 w/ 7/8-14 FJIC (60 ft)	1
54	S39504	Hyd Hose - 1/2 x 168 Lg w/7/8-14 FJIC	1
55	S45310	Spacer Plate	1
56	N24306	Clamp Plate	1

Wing Lift Hydraulics 50 ft & 60 ft Models - From 2010



Wing Lift Hydraulics - 50 ft & 60 ft Models - From 2010

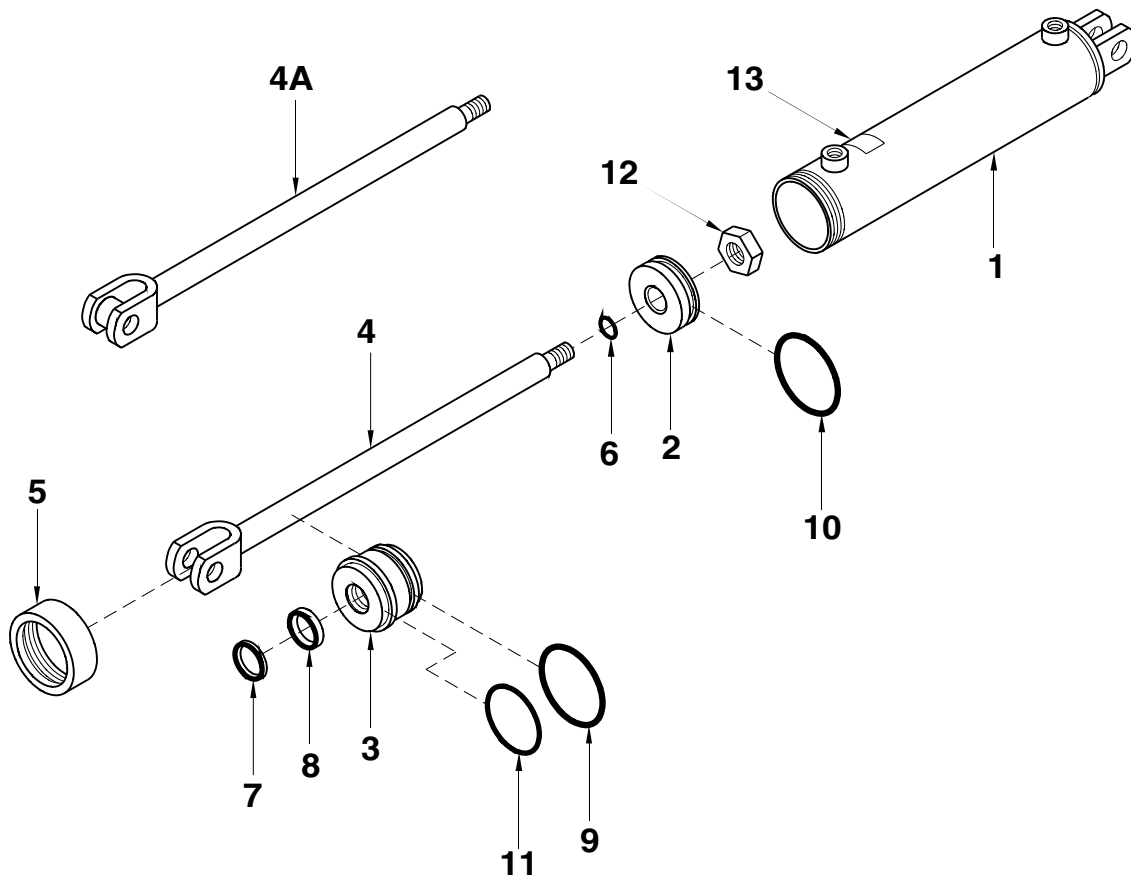
Item	Part No.	Description	Qty
1	C34442	Cylinder - 4 1/2 x 30	2
2	C39030	Cylinder - 4 1/2 x 36 (50 ft)	2
	C39490	Cylinder - 5 x 36 (60 ft)	2
3	C39564	Cylinder - 5 x 8	1
4	C39961	Cylinder - 4 x 12 w/Lift-1.75 shaft	1
4A	C39960	Cylinder - 4 1/2 x 12 w/Lift-1.75 shaft	1
5	C26876	Manifold Pressure Compensated Flow Control	1
6	N42880	Valve - 2 Way Ball	5
6A	N42881	Handle - Valve	2
7	D17845	Hyd Hose - 1/4 x 198 Lg w/9/16-18 FJIC (50 ft)	2
	C26347	Hyd Hose - 1/4 x 216 Lg w/9/16-18 FJIC (60 ft)	2
8	C14835	Hyd Hose - 1/4 x 36 Lg w/9/16-18 FJIC	2
9	C26347	Hyd Hose - 1/4 x 216 Lg w/9/16-18 FJIC (50 ft)	2
	C26340	Hyd Hose - 1/4 x 252 Lg w/9/16-18 FJIC (60 ft)	2
10	H18266	Hyd Hose - 1/4 x 80 Lg w/9/16-18 FJIC	4
11	H18267	Hyd Hose - 1/4 x 96 Lg w/9/16-18 FJIC	2
12	W21962	Hyd Hose - 1/4 x 108 Lg w/9/16-18 FJIC	2
13	F14658	Hyd Hose - 1/4 x 150 Lg w/9/16-18 FJIC	2
14	C26339	Hyd Hose - 1/4 x 120 Lg w/9/16-18 FJIC (50 ft)	2
	F14658	Hyd Hose - 1/4 x 150 Lg w/9/16-18 FJIC (60 ft)	2
15	F14658	Hyd Hose - 1/4 x 150 Lg w/9/16-18 FJIC (50 ft)	4
	D17585	Hyd Hose - 1/4 x 176 Lg w/9/16-18 FJIC (60 ft)	2
16	C-4383	Hyd Hose - 1/2 x 20 Lg w/7/8-14 FJIC	1
17	C-4468	Hyd Hose - 1/2 x 24 Lg w/7/8-14 FJIC	1
18	C18779	Hyd Hose - 1/2 x 72 Lg w/7/8-14 FJIC	2
19	H-4408	Hyd Hose - 1/2 x 84 Lg w/7/8-14 FJIC	3
20	S39504	Hyd Hose - 1/2 x 168 Lg w/7/8-14 FJIC	2
21	C26343	Hyd Hose - 1/2 x 162 Lg w/7/8-14 FJIC (50 ft)	2
	N21721	Hyd Hose - 1/2 x 180 Lg w/7/8-14 FJIC (60 ft)	2
22	C26336	Hyd Hose - 1/2 x 198 Lg w/7/8-14 FJIC	1
23	C26337	Hyd Hose - 1/2 x 276 Lg w/7/8-14 FJIC	2
24	S39524	Hyd Hose - 1/2 x 312 Lg w/7/8-14 FJIC (50 ft)	1
	S39539	Hyd Hose - 1/2 x 330 Lg w/7/8-14 FJIC (60 ft)	1
25	N29358	Connector - 9/16-18 MJIC x 9/16-18 MORB	2
26	C15348	Connector - 9/16-18 MJIC x 3/4-16 MORB	4
27	C14840	Connector - 7/8-14 MJIC x 3/4-16 MORB	7
28	C26333	45 Elbow - 7/8-14 MJIC x 3/4-16 MORB	1
29	S29967	90 Elbow - 9/16-18 FJIC x 9/16-18 MJIC	8
30	N16143	90 Elbow - 9/16-18 MJIC x 9/16-18 MORB	6
31	K-5806	90 Elbow - 7/8-14 MJIC x 7/8-14 FJIC	2
32	C24585	90 Elbow - 7/8-14 MJIC x 3/4-16 MORB	12
33	C-4393	Tee - (3) 9/16-18 MJIC	4
34	N31908	Tee - (2) 9/16-18 MJIC x (1) 9/16-18 MORB	8
35	C-4394	Tee - (3) 7/8-14 MJIC	5
36	H18746	Tee - (2) 7/8-14 MJIC x (1) 7/8-14 FJIC	2
37	N34443	Male Tip - 3/4-16 ORB	2
38	S29960	Tag - Hose ID - Wing Lift - FOLD	1
39	S29961	Tag - Hose ID - Wing Lift - UNFOLD	1
40	S39565	Mounting Bracket - Valve	1
41	N34319	U-Bolt - 1/4 x 1 1/2 x 1 3/4 Lg	4
42	N15097	U-Bolt - 3/8 x 2 x 5 Lg	4
43	W-480	Hex Bolt - 3/8 x 2 1/2	8
44	C-3918	Hex Bolt - 3/8 x 5 Lg	2
45	W-521	Lockwasher - 1/4	8
46	W-523	Lockwasher - 3/8	14
47	W-538	Flatwasher - 3/8	12
48	W-512	Hex Nut - 1/4	8
49	W-514	Hex Nut - 3/8	14
50	M-3388	Locknut - 3/8	8
51	C-4698	Oil Line Clamp	16
52	S39546	Mounting Bracket - Valve	2
53	C26343	Hyd Hose - 1/2 x 162 w/ 7/8-14 FJIC (50 ft)	1
	N21721	Hyd Hose - 1/2 x 180 w/ 7/8-14 FJIC (60 ft)	1
54	S39504	Hyd Hose - 1/2 x 168 Lg w/7/8-14 FJIC	1
55	S45310	Spacer Plate	1
56	N24306	Clamp Plate	1

Section 11: Hydraulic Cylinders

Section Contents

Depth Control	11-2
Wing Lift.....	11-6
Depth Stop Valve Assembly	11-11

Hydraulic Cylinders Depth Control



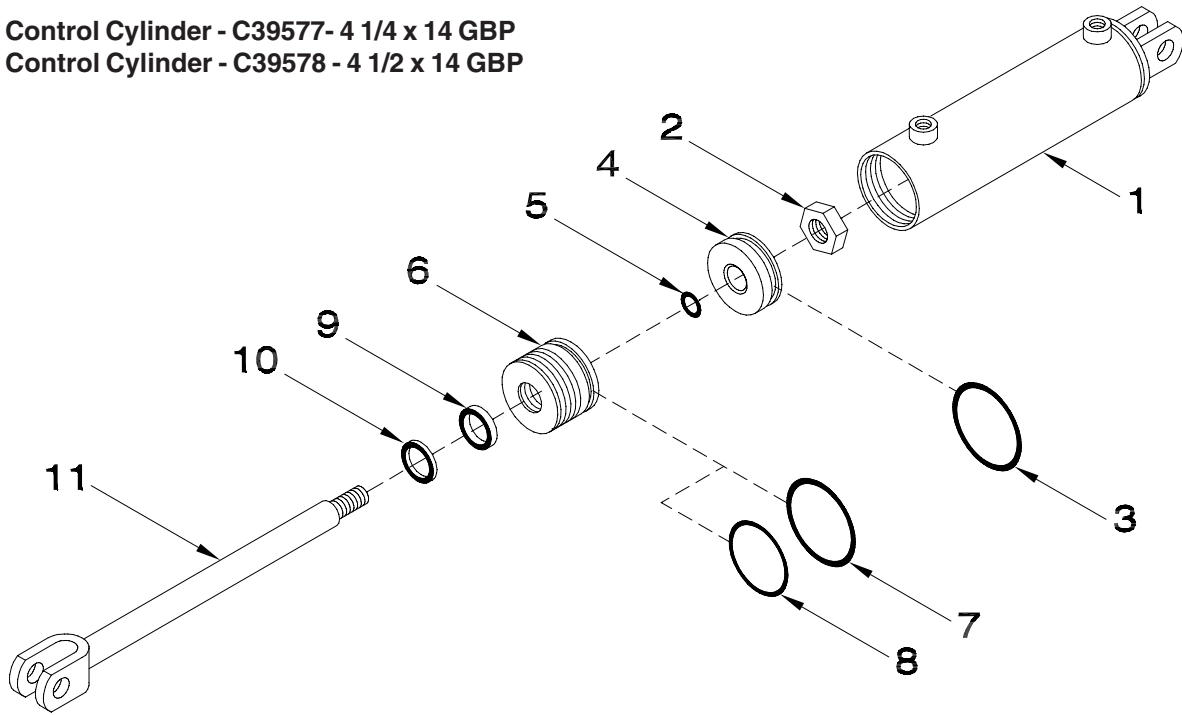
Item	Part No.	Description	Qty
Depth Control Cylinder - C33879 - 4 x 14			
1	C33896	Barrel - 4 x 14 Gland Bypass	1
2	C-2031	Piston - 4 Dia - 7/8 Shaft	1
3	C26290	Gland - 4 Dia - 1 3/8 Shaft	1
4	C33878	Cylinder Shaft - 1 3/8 Dia x 21 7/8	1
5	C-2023	Collar - 4 Cylinder	1
6	C-2187	1 OD x 1/16 C/S 90D BUNA O-Ring	1
7	C26265	1 3/8 ID x 3/16 C/S 90D URTH Wiper	1
8	C26264	1 3/8 ID x 5/16 C/S 90D URTH U-Cup	1
9	C-2030	4 OD x 3/16 C/S 90D BUNA O-Ring	1
10	C-2025	4 OD x 3/16 C/S 90D URTH O-Ring	1
11	C-2215	3 7/8 OD x 1/16 C/S 70A BUNA-N O-Ring	1
12	C-2017	Locknut - 7/8 UNF Unitorque	1
13	C33881	Part # Plate for C33879	1
	C33879	Cylinder Assembly (Includes All Above Items)	
	C26308	Seal Kit (Includes Items #6, 7, 8, 9, 10 & 11)	

Hydraulic Cylinders - Depth Control

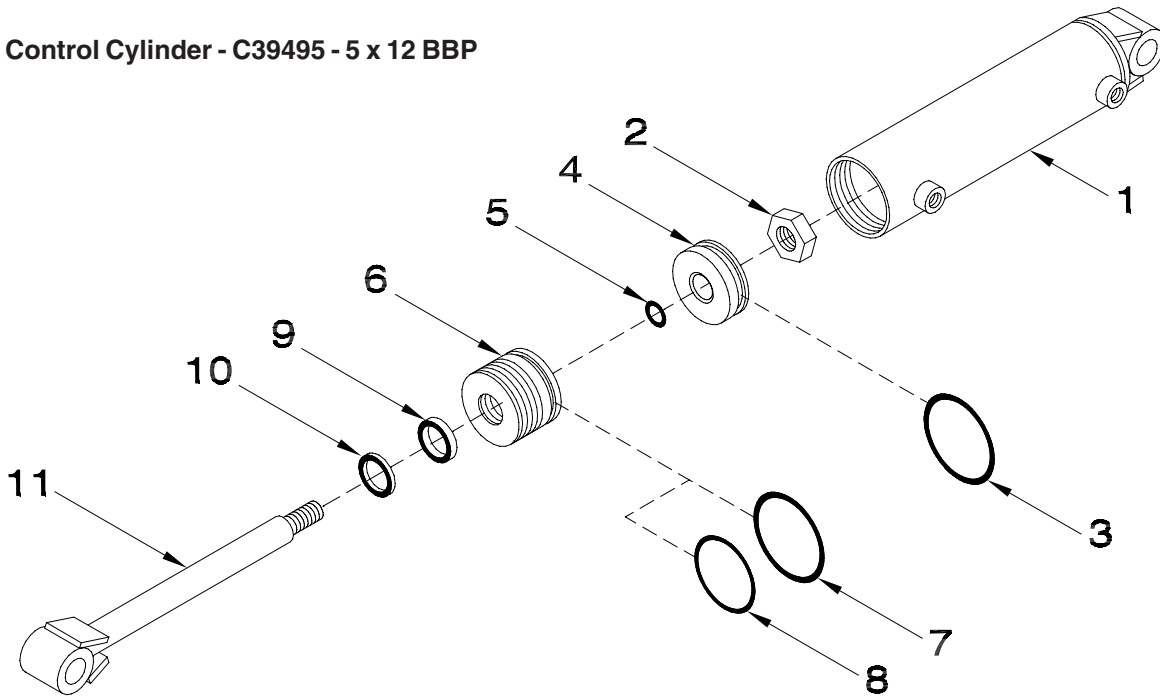
Item	Part No.	Description	Qty
Depth Control Cylinder - C40380 - 4 1/4 x 14 GBP			
1	C40382	Barrel - 4 1/4 x 14 Gland Bypass	1
2	C40386	Piston - 4 1/4 Dia - 1 Shaft	1
3	C40388	Gland - 4 1/4 Dia - 1 1/2 Shaft	1
4	C40385	Cylinder Shaft - 1 1/2 Dia x 21 7/8	1
5	C40399	Collar - 4 1/4 Cylinder	1
6	C13282	1 1/8 OD x 1/16 C/S 90D BUNA O-Ring	1
7	C-2072	1 1/2 ID x 3/16 C/S 90D URTH Wiper	1
8	C-2071	1 1/2 ID x 5/16 C/S 90D URTH U-Cup	1
9	C40394	4 1/4 OD x 3/16 C/S 90D BUNA O-Ring	1
10	C40395	4 1/4 OD x 3/16 C/S 90D URTH O-Ring	1
11	C-2215	3 7/8 OD x 1/16 C/S 70A BUNA-N O-Ring	1
12	C13763	Locknut - 1-14 UNS Unitorque	1
13	C40387	Part # Plate for C40380	1
	C40380	Cylinder Assembly (Includes All Above Items)	
	C40396	Seal Kit (Includes Items #6, 7, 8, 9, 10 & 11)	
Depth Control Cylinder - C40390 - 4 1/2 x 14 GBP			
1	C40392	Barrel - 4 1/2 x 14 Gland Bypass	1
2	C33996	Piston - 4 1/2 Dia - 1 Shaft	1
3	C26988	Gland - 4 1/2 Dia - 1 1/2 Shaft	1
4A	C42846	Cylinder Shaft - 1 1/2 Dia x 21 7/8	1
5	C-2155	Collar - 4 1/2 Cylinder	1
6	C13282	1 1/8 OD x 1/16 C/S 90D BUNA O-Ring	1
7	C-2072	1 1/2 ID x 3/16 C/S 90D URTH Wiper	1
8	C-2071	1 1/2 ID x 5/16 C/S 90D URTH U-Cup	1
9	C-2164	4 1/2 OD x 3/16 C/S 90D BUNA O-Ring	1
10	C-2163	4 1/2 OD x 3/16 C/S 90D URTH O-Ring	1
11	C-2215	3 7/8 OD x 1/16 C/S 70A BUNA-N O-Ring	1
12	C13763	Locknut - 1-14 UNS Unitorque	1
13	C40393	Part # Plate for C40390	1
	C40390	Cylinder Assembly (Includes All Above Items)	
	C40397	Seal Kit (Includes Items #6, 7, 8, 9, 10 & 11)	

Hydraulic Cylinders Depth Control

Depth Control Cylinder - C39577- 4 1/4 x 14 GBP
Depth Control Cylinder - C39578 - 4 1/2 x 14 GBP



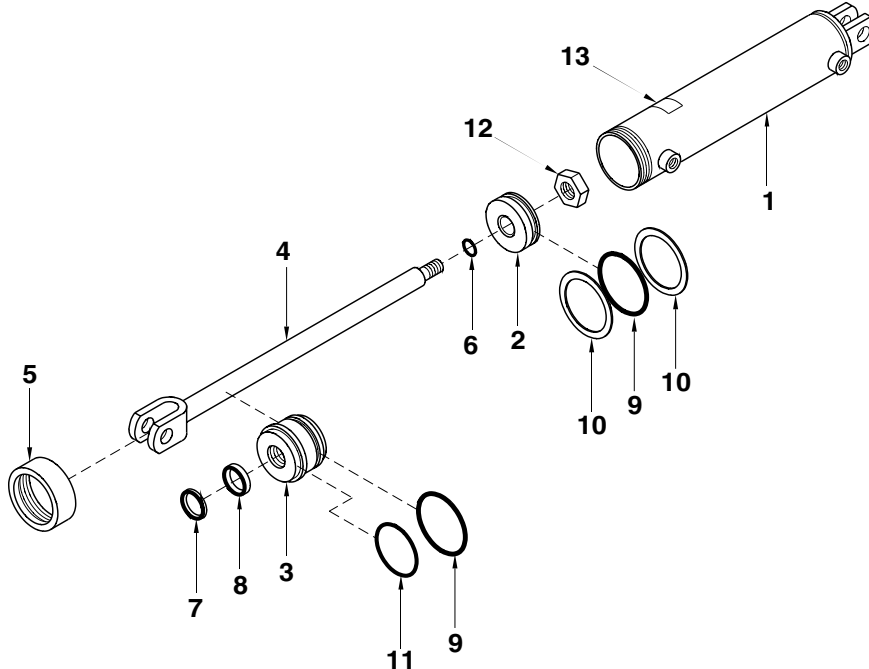
Depth Control Cylinder - C39495 - 5 x 12 BBP



Hydraulic Cylinders - Depth Control

Item	Part No.	Description	Qty
Depth Control Cylinder - C39577- 4 1/4 x 14 GBP			
1	C39922	Barrel - 4 1/4 x 14 Gland Bypass	1
2	C39924	Locknut	1
3	C39894	Piston Shaft Seal	1
4	C39915	Piston - 4 1/4 Dia	1
5	C39897	Piston Seal	1
6	C39917	Gland	1
7	C39898	Gland Seal	1
8	C39902	Back-up	1
9	C39893	Shaft Seal	1
10	C39901	Wiper	1
11	C39912	Shaft	1
	C39577	Cylinder Assembly (Includes All Above Items)	
	C39908	Seal Kit (Includes Items #3, 5, 7, 8, 9, & 10)	
Depth Control Cylinder - C39578 - 4 1/2 x 14 GBP			
1	C39921	Barrel - 4 1/2 x 14 Gland Bypass	1
2	C39924	Locknut	1
3	C39895	Piston Shaft Seal	1
4	C39914	Piston - 4 1/2 Dia	1
5	C39897	Piston Seal	1
6	C39923	Gland	1
7	C39899	Gland Seal	1
8	C39903	Back-up	1
9	C39893	Shaft Seal	1
10	C39901	Wiper	1
11	C39912	Shaft	1
	C39578	Cylinder Assembly (Includes All Above Items)	
	C39907	Seal Kit (Includes Items #3, 5, 7, 8, 9, & 10)	
Depth Control Cylinder - C39495 - 5 x 12 BBP			
1	C39918	Barrel - 5 x 12 Butt Bypass	1
2	C34596	Locknut	1
3	C39896	Piston Seal	1
4	C39913	Piston	1
5	C34592	Piston Seal	1
6	C39916	Gland	1
7	C39900	Gland Seal	1
8	C39904	Back-up	1
9	C34599	Shaft Seal	1
10	C34598	Wiper	1
11	C39909	Shaft	1
	C39495	Cylinder Assembly (Includes All Above Items)	
	C39905	Seal Kit (Includes Items #3, 5, 7, 8, 9, & 10)	

Hydraulic Cylinders Wing Lift

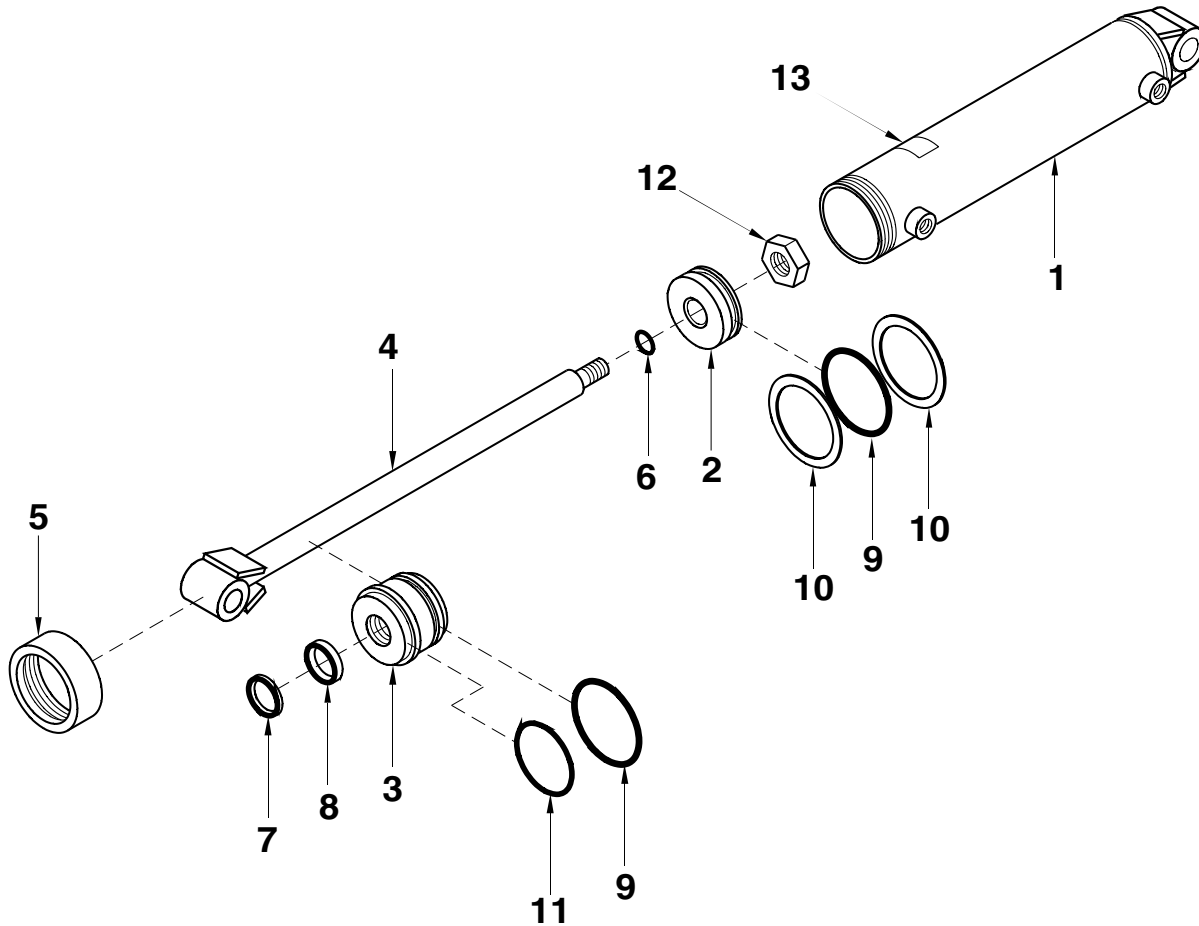


Item	Part No.	Description	Qty
Wing Lift Cylinder - C39175 - 3 1/2 x 12 - 1 1/4 Shaft			
1	C39170	Barrel - 3 1/2 x 12	1
2	C15412	Piston - 3 1/2 Dia - 7/8 Shaft	1
3	C-2037	Gland - 3 1/2 Dia - 1 1/4 Shaft	1
4	C39171	Cylinder Shaft - 1 1/4 Dia x 19 7/8	1
5	C-2028	Collar - 3 1/2 Cylinder	1
6	C-2187	1 OD x 1/16 C/S 90D BUNA O-Ring	1
7	C-2007	1 1/4 ID x 3/16 C/S 90D URTH Wiper	1
8	C-2008	1 1/4 ID x 5/16 C/S 90D URTH U-Cup	1
9	C-2029	3 1/2 OD x 3/16 C/S 90D BUNA O-Ring	2
10	C15385	Backup Washer - 3 1/2 Dia - #19-338	2
11	C-2214	3 OD x 1/16 C/S 70D BUNA O-Ring	1
12	C-2017	Locknut - 7/8 UNF Unitorque	1
13	C39172	Part # Plate for C39175	1
	C39175	Cylinder Assembly (Includes All Above Items)	
	S22191	Seal Kit (Includes Items #6, 7, 8, 9, 10 & 11)	
Wing Lift Cylinder - C39932 - 4 x 12 - 1 1/4 Shaft			
1	C39931	Barrel - 4 x 18	1
2	C16637	Piston - 4 Dia - 7/8 Shaft	1
3	C-2026	Gland - 4 Dia - 1 1/4 Shaft	1
4	C39171	Cylinder Shaft - 1 1/4 Dia x 19 7/8	1
5	C-2023	Collar - 4 Cylinder	1
6	C-2187	1 OD x 1/16 C/S 90D BUNA O-Ring	1
7	C-2007	1 1/4 ID x 3/16 C/S 90D URTH Wiper	1
8	C-2008	1 1/4 ID x 5/16 C/S 90D URTH U-Cup	1
9	C-2030	4 OD x 3/16 C/S 90D BUNA O-Ring	2
10	C15386	Backup Washer - 4 Dia - #342	2
11	C-2215	3 7/8 OD x 1/16 C/S 70A BUNA-N O-Ring	1
12	C-2017	Locknut - 7/8 UNF Unitorque	1
13	C39933	Part # Plate for C39932	1
	C39932	Cylinder Assembly (Includes All Above Items)	
	C20449	Seal Kit (Includes Items #6, 7, 8, 9, 10 & 11)	

Hydraulic Cylinders - Wing

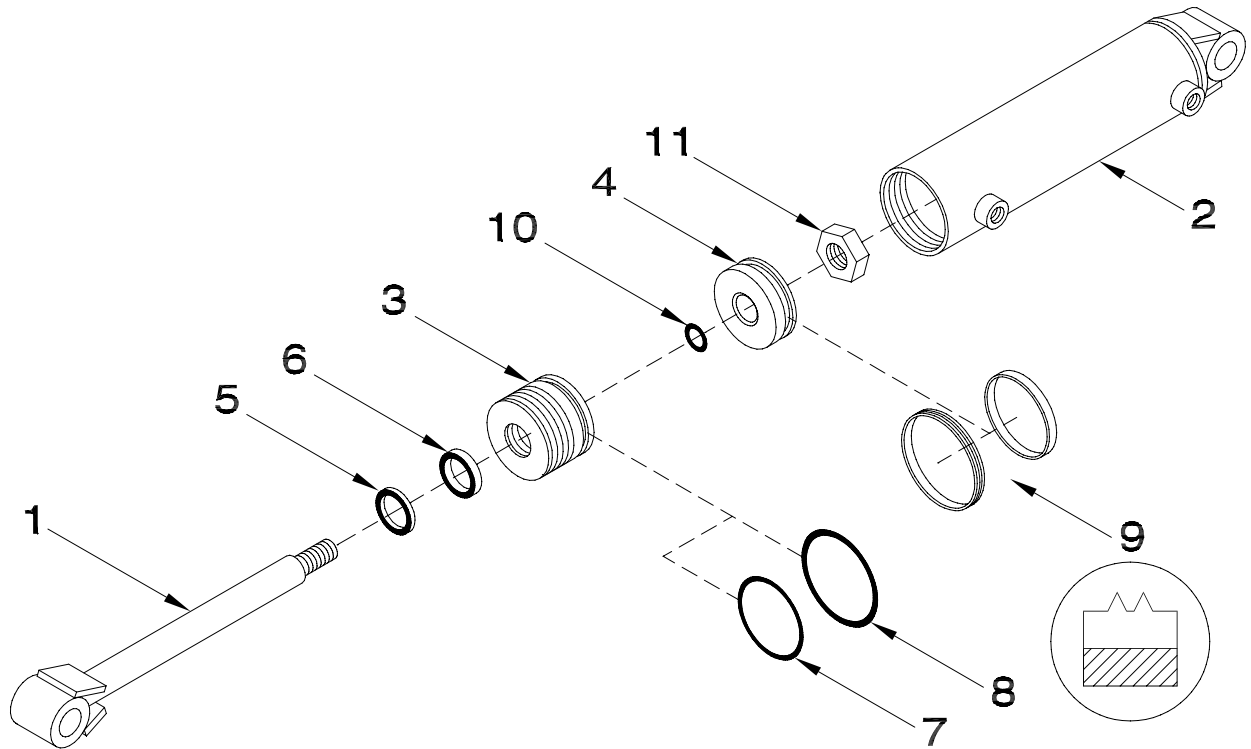
Item	Part No.	Description	Qty
Wing Lift Cylinder - C39961 - 4 x 12 - 1 3/4 Shaft			
1	C39931	Barrel - 4 x 12	1
2	C12843	Piston - 4 Dia - 1 Shaft	1
3	C-2153	Gland - 4 Dia - 1 3/4 Shaft	1
4	C39958	Cylinder Shaft - 1 3/4 Dia x 19 7/8	1
5	C-2023	Collar - 4 Cylinder	1
6	C13282	1 1/8 OD x 1/16 C/S 90D BUNA O-Ring	1
7	C-2136	1 3/4 ID x 3/16 C/S 90D URTH Wiper	1
8	C-2135	1 3/4 ID x 3/8 C/S 90D URTH U-Cup	1
9	C-2030	4 OD x 3/16 C/S 90D BUNA O-Ring	2
10	C15386	Backup Washer - 4 Dia - #342	2
11	C-2215	3 7/8 OD x 1/16 C/S 70A BUNA-N O-Ring	1
12	C13763	Locknut - 1-14 UNF Unitorque	1
13	C39963	Part # Plate for C39961	1
	C39961	Cylinder Assembly (Includes All Above Items)	
	C-2150	Seal Kit (Includes Items #6, 7, 8, 9, 10 & 11)	
Wing Lift Cylinder - C39960 - 4 1/2 x 12 - 1 3/4 Shaft			
1	C39959	Barrel - 4 1/2 x 12 (ORB)	1
2	C12836	Piston - 4 1/2 Dia - 1 Shaft	1
3	C-2154	Gland - 4 1/2 Dia - 1 3/4 Shaft	1
4	C39958	Cylinder Shaft - 1 3/4 Dia	1
5	C-2155	Collar - 4 1/2 Cylinder	1
6	C13282	1 1/8 OD x 1/16 C/S 90D BUNA O-Ring	1
7	C-2136	1 3/4 ID x 3/16 C/S 90D URTH Wiper	1
8	C-2135	1 3/4 ID x 3/8 C/S 90D URTH U-Cup	1
9	C-2164	4 1/2 OD x 3/16 C/S 90D BUNA O-Ring	2
10	C15387	Backup Washer - 4 1/2 Dia - #346	2
11	C-2215	3 7/8 OD x 1/16 C/S 70A BUNA-N O-Ring	1
12	C13763	Locknut - 1-14 UNS Unitorque	1
13	C39962	Part # Plate for C39960	1
	C39960	Cylinder Assembly (Includes All Above Items)	
	C12849	Seal Kit (Includes Items #6, 7, 8, 9, 10 & 11)	
Wing Lift Cylinder - C34442 - 4 1/2 x 30 - 1 3/4 Shaft			
1	C34441	Barrel - 4 1/2 x 30 - 1 1/4 clevis hole	1
2	C12836	Piston - 4 1/2 Dia - 1 Shaft	1
3	C-2154	Gland - 4 1/2 Dia - 1 3/4 Shaft	1
4	C26190	Cylinder Shaft - 1 3/4 Dia	1
5	C-2155	Collar - 4 1/2 Cylinder	1
6	C13282	1 1/8 OD x 1/16 C/S 90D BUNA O-Ring	1
7	C-2136	1 3/4 ID x 3/16 C/S 90D URTH Wiper	1
8	C-2135	1 3/4 ID x 3/8 C/S 90D URTH U-Cup	1
9	C-2164	4 1/2 OD x 3/16 C/S 90D BUNA O-Ring	2
10	C15387	Backup Washer - 4 1/2 Dia - #346	2
11	C-2215	3 7/8 OD x 1/16 C/S 70A BUNA-N O-Ring	1
12	C13763	Locknut - 1-14 UNS Unitorque	1
13	C36064	Part # Plate for C34442	1
	C34442	Cylinder Assembly (Includes All Above Items)	
	C12849	Seal Kit (Includes Items #6, 7, 8, 9, 10 & 11)	

Hydraulic Cylinders Wing Lift



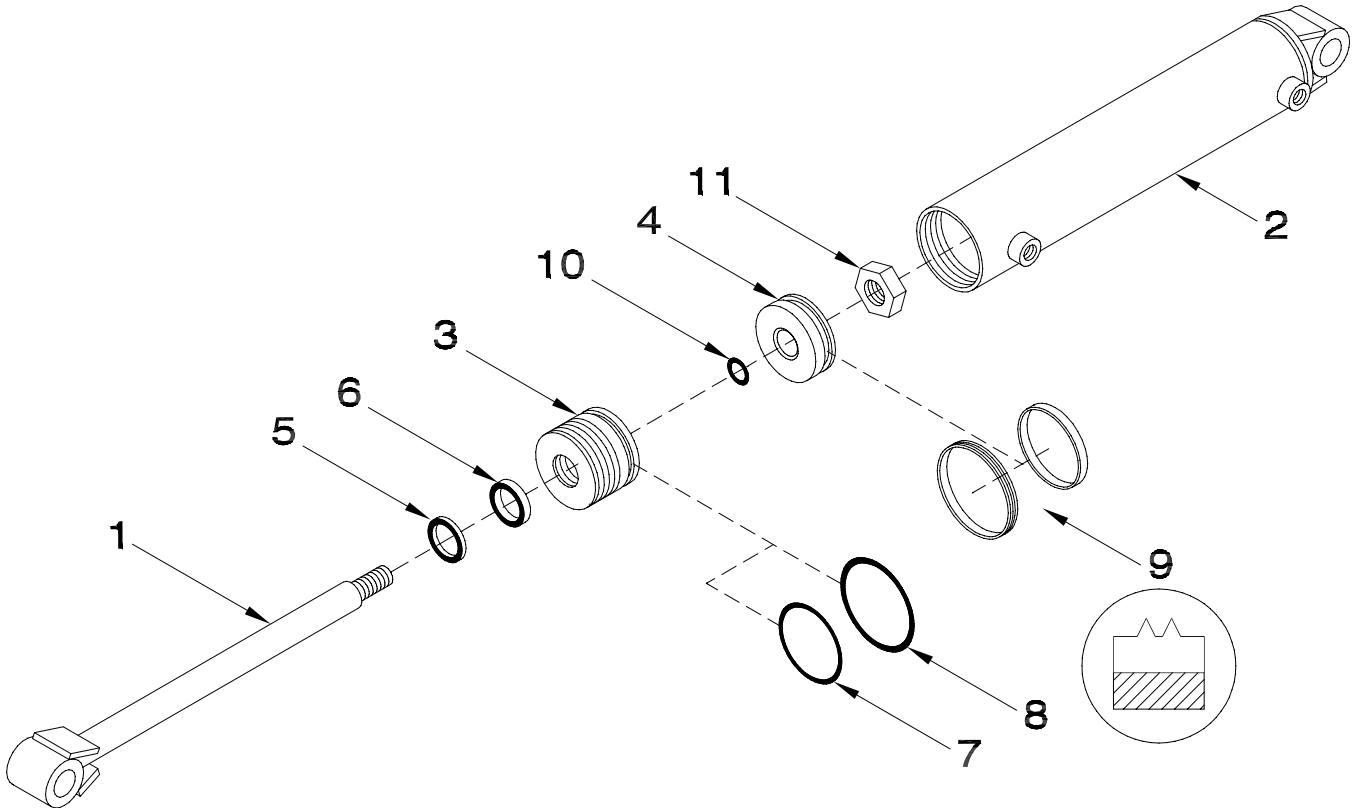
Item	Part No.	Description	Qty
		Wing Lift Cylinder - C39030 - 4 1/2 x 36	
1	C39027	Barrel - 4 1/2 x 36 - 1 1/4 clevis hole	1
2	C12836	Piston - 4 1/2 Dia - 1 Shaft	1
3	C-2154	Gland - 4 1/2 Dia - 1 3/4 Shaft	1
4	C39029	Cylinder Shaft - 1 3/4 Dia	1
5	C-2155	Collar - 4 1/2 Cylinder	1
6	C13282	1 1/8 OD x 1/16 C/S 90D BUNA O-Ring	1
7	C-2136	1 3/4 ID x 3/16 C/S 90D URTH Wiper	1
8	C-2135	1 3/4 ID x 3/8 C/S 90D URTH U-Cup	1
9	C-2164	4 1/2 OD x 3/16 C/S 90D BUNA O-Ring	2
10	C15387	Backup Washer - 4 1/2 Dia - #346	2
11	C-2215	3 7/8 OD x 1/16 C/S 70A BUNA-N O-Ring	1
12	C13763	Locknut - 1-14 UNS Unitorque	1
13	C39031	Part # Plate for C39030	1
	C39030	Cylinder Assembly (Includes All Above Items)	
	C12849	Seal Kit (Includes Items #6, 7, 8, 9, 10 & 11)	

Hydraulic Cylinders Wing Lift



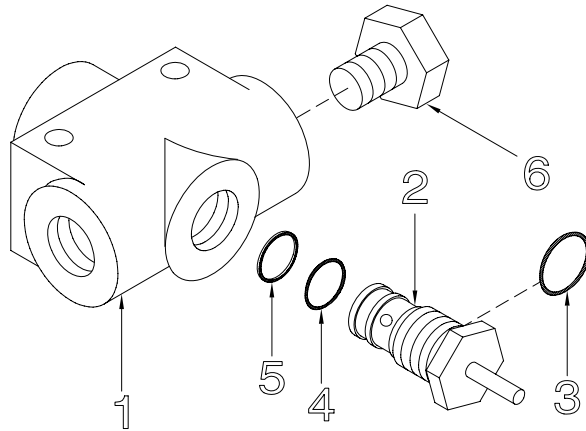
Item	Part No.	Description	Qty
Wing Lift Cylinder - C39564 - 5 x 8			
1	C39911	Cylinder Shaft	1
2	C39920	Barrel - 5 x 8 ORB	1
3	C39916	Gland - 5 Dia	1
4	C39913	Piston - 5 Dia	1
5	C34598	Wiper	1
6	C34599	Shaft Seal	1
7	C39904	Backup Ring	1
8	C39900	Gland Seal (O-Ring)	1
9	C39892	Piston Seal (2 part seal)	1
10	C34592	Shaft Seal	1
11	C34596	Locknut	1
	C39564	Cylinder Assembly (Includes All Above Items)	
	C39906	Seal Kit (Includes Items #5, 6, 7, 8, 9 & 10)	

Hydraulic Cylinders Wing Lift



Item	Part No.	Description	Qty
Wing Lift Cylinder - C39490 - 5 x 36			
1	C39910	Cylinder Shaft	1
2	C39919	Barrel - 5 x 36 ORB	1
3	C39916	Gland - 5 Dia	1
4	C39913	Piston - 5 Dia	1
5	C34598	Wiper	1
6	C34599	Shaft Seal	1
7	C39904	Backup Ring	1
8	C39900	Gland Seal (O-Ring)	1
9	C39892	Piston Seal (2 part seal)	1
10	C34592	Shaft Seal	1
11	C34596	Locknut	1
	C39490	Cylinder Assembly (Includes All Above Items)	
	C39906	Seal Kit (Includes Items #5, 6, 7, 8, 9 & 10)	

Hydraulic Cylinders Depth Stop Valve Assembly



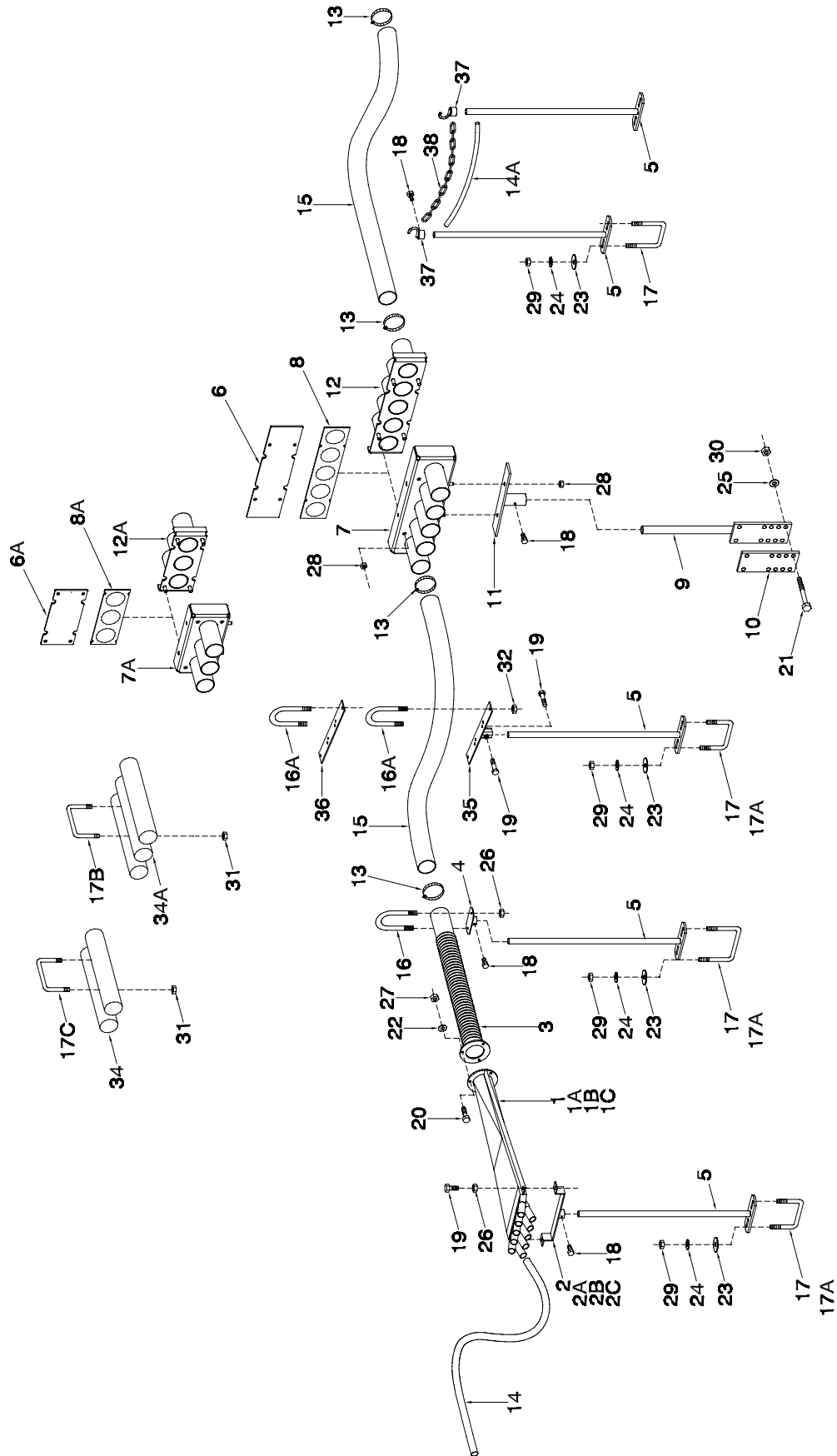
Item	Part No.	Description	Qty
1	C28894	Valve Body - Depth Stop	1
2	C28890	Depth Stop Valve Cartridge	1
3	C28891	O-Ring - 3/4 ID x 15/16 OD	1
4	C28892	O-Ring - 5/8 ID x 3/4 OD	1
5	C28893	Backup Ring - 21/32 ID x 3/4 OD	1
6	C28505	Plug - 3/4 ORB	1
	C28501	Depth Stop Valve Assembly (Includes All Above Items Except #6)	

Section 12: Distribution

Section Contents

Single Shoot Tow Behind	12-2
Single Shoot Tow Between	12-4
Dual Shoot Tow Behind	12-6
Dual Shoot Tow Between	12-8
Divider Head	12-10

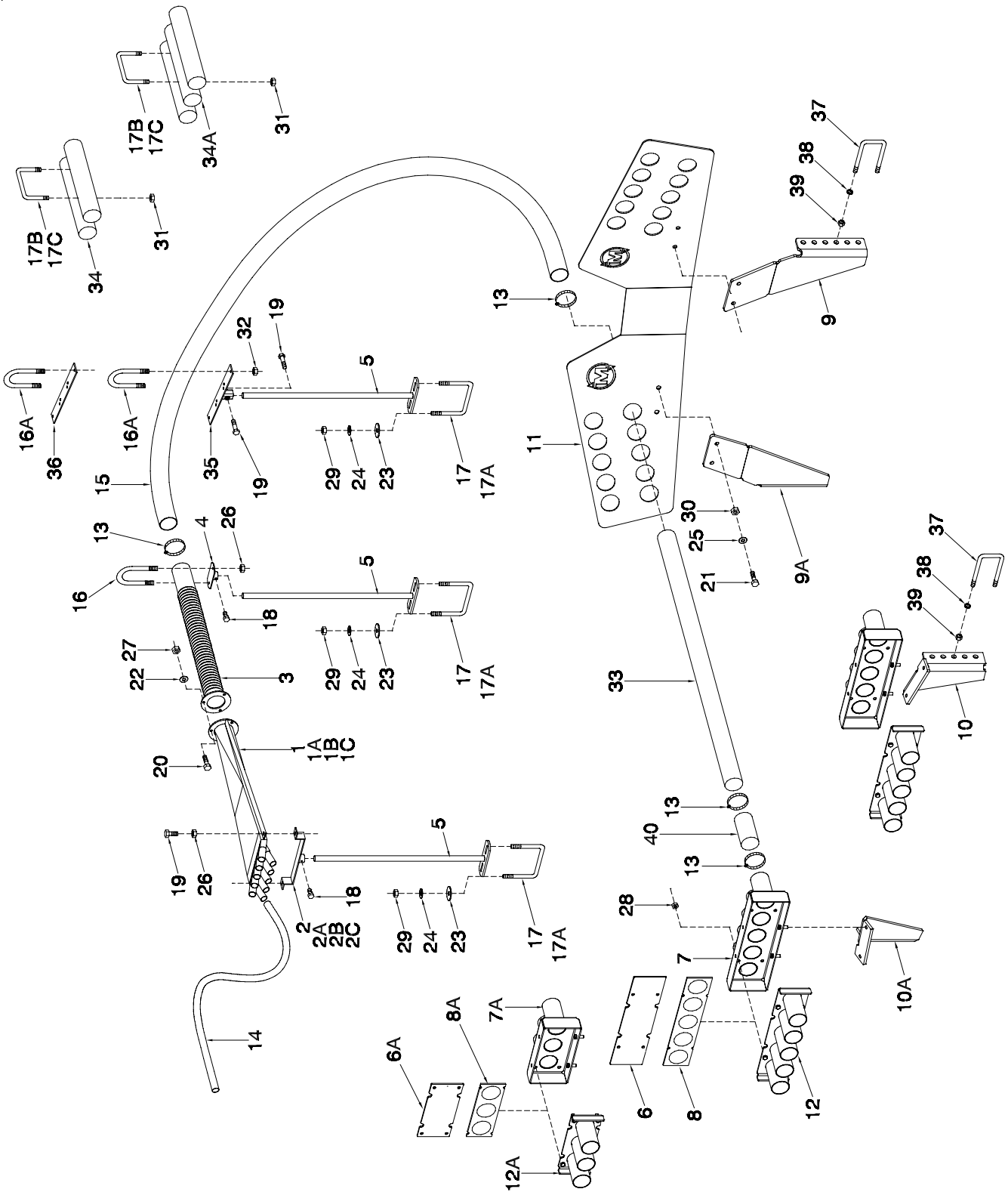
Distribution Single Shoot Tow Behind



Distribution - Single Shoot Tow Behind

Item	Part No.	Description	No. Used											
			40 ft			50 ft			60 ft					
			7 1/2	10	12	7 1/2	10	12	7 1/2	10	12			
1	N42274	Divider Assembly - 11 Outlet	As req	As req	As req	As req	As req	As req	As req	As req	As req	As req	As req	As req
1A	N31190	Divider Assembly - 10 Outlet	As req	As req	As req	As req	As req	As req	As req	As req	As req	As req	As req	As req
1B	N31189	Divider Assembly - 9 Outlet	As req	As req	As req	As req	As req	As req	As req	As req	As req	As req	As req	As req
1C	N31188	Divider Assembly - 8 Outlet	As req	As req	As req	As req	As req	As req	As req	As req	As req	As req	As req	As req
1D	N31187	Divider Assembly - 7 Outlet	As req	As req	As req	As req	As req	As req	As req	As req	As req	As req	As req	As req
2	N40544	Support - 11 Outlet	As req	As req	As req	As req	As req	As req	As req	As req	As req	As req	As req	As req
2A	N19406	Support - 10 Outlet	As req	As req	As req	As req	As req	As req	As req	As req	As req	As req	As req	As req
2B	N15595	Support - 9 Outlet	As req	As req	As req	As req	As req	As req	As req	As req	As req	As req	As req	As req
2C	N15107	Support - 8 Outlet	As req	As req	As req	As req	As req	As req	As req	As req	As req	As req	As req	As req
2D	N15594	Support - 7 Outlet	As req	As req	As req	As req	As req	As req	As req	As req	As req	As req	As req	As req
3	N15135	Pipe - Corr Diff - Divider Head	8	6	5	9	7	6	9	9	7	9	9	7
4	N15102	Support - Rear	8	6	5	9	7	6	9	9	7	9	9	7
5	N19531	Support - Bottom - Rod 24	18	14	12	20	16	14	24	24	20	24	24	20
6	N39877	Cover Plate - 5 Run	4	0	0	4	4	0	4	4	4	4	4	4
6A	N39876	Cover Plate - 3 Run	0	4	4	0	0	4	0	0	0	0	0	0
7	S39743	Coupler - 5 Run - Tillage	2	0	0	2	2	0	2	2	2	2	2	2
7A	S39844	Coupler - 3 Run - Tillage	0	2	2	0	0	2	0	0	0	0	0	0
8	S39752	Gasket Seal - 5 Run	2	0	0	2	2	0	2	2	2	2	2	2
8A	S39885	Gasket Seal - 3 Run	0	2	2	0	0	2	0	0	0	0	0	0
9	N19575	Base - Hose Coupler (STRAIGHT)	2	2	2	2	2	2	2	2	2	2	2	2
10	N19409	Plate - Mount	2	2	2	2	2	2	2	2	2	2	2	2
11	N39840	Mount - Coupler	2	2	2	2	2	2	2	2	2	2	2	2
12	S39747	Coupler - 5 Run - Cart	2	0	0	2	2	0	2	2	2	2	2	2
12A	S39843	Coupler - 3 Run - Cart	0	2	2	0	0	2	0	0	0	0	0	0
13	N11905	Hose Clamp - 2 1/2	30	20	19	43	37	32	43	43	37	43	43	37
14	R480034	Hose-.929IDx1.169OD/ft(75 ft roll)	525	375	300	600	450	375	600	600	450	600	600	450
14A	R480034	Hose-.929IDx1.169OD/ft(75 ft roll)	1.5 ft	1.5 ft	1.5 ft	1.5 ft	1.5 ft	1.5 ft	1.5 ft	1.5 ft	1.5 ft	1.5 ft	1.5 ft	1.5 ft
15	R480055	Hose - 2 1/2 ID/ft (100 ft rolls)	120	90	125	225	140	120	225	225	175	225	225	175
16	N15096	U-Bolt - 1/4 x 2 9/16 x 3 1/4 Lg	8	6	5	9	7	6	9	9	7	9	9	7
16A	N37630	U-Bolt - 1/4 x 2 3/4 x 3 3/4 Lg	6	6	6	6	6	6	18	18	18	18	18	18
17	N15098	U-Bolt - 3/8 x 4 x 5	18	14	12	20	16	14	24	24	20	24	24	20
17A	N15097	U-Bolt - 3/8 x 2 x 5	18	14	12	20	16	14	24	24	20	24	24	20
17B	N40715	U-Bolt - 3/8 x 8 x 9 3/4 Lg	4	2	2	4	6	4	4	4	6	4	4	6
17C	N40716	U-Bolt - 3/8 x 5 x 8 3/4 Lg	0	0	0	2	2	2	2	2	2	2	2	2
18	N24396	Setscrew - 1/4 x 1/2	18	14	12	20	16	14	20	20	16	20	20	16
19	K-3830	Hex Bolt - 1/4 x 1/2 Lg	20	16	14	22	18	16	30	30	26	30	30	26
20	W-469	Hex Bolt - 1/4 x 3/4 Lg	24	18	15	27	21	18	27	27	21	27	27	21
21	W-496	Hex Bolt - 1/2 x 5 1/2 Lg	8	8	8	8	8	8	8	8	8	8	8	8
22	W-521	Lockwasher - 1/4	24	18	15	27	21	18	27	27	21	27	27	21
23	D-5579	Flatwasher - 3/8	36	28	24	40	32	28	48	48	40	48	48	40
24	W-523	Lockwasher - 3/8	40	32	28	44	36	32	52	52	44	52	52	44
25	W-525	Lockwasher - 1/2	8	8	8	8	8	8	8	8	8	8	8	8
26	D-5277	Serrated Locknut - 1/4	32	24	20	36	28	24	36	36	28	36	36	28
27	W-512	Hex Nut - 1/4	24	18	15	27	21	18	27	27	21	27	27	21
28	D-5279	Serrated Locknut - 3/8	12	12	12	12	12	12	12	12	12	12	12	12
29	W-514	Hex Nut - 3/8	40	32	28	44	36	32	52	52	44	52	52	44
30	W-516	Hex Nut - 1/2	8	8	8	8	8	8	8	8	8	8	8	8
31	S27987	Locknut Flange Center Lock - 3/8	8	4	4	12	16	12	12	12	16	12	12	16
32	N22778	Locknut Nylon Insert - 1/4	12	12	12	12	12	12	36	36	36	36	36	36
33	*****												
34	N40703	Manifold - 2 Run	0	2	2	6	2	2	4	6	2	4	6	2
34A	N40708	Manifold - 3 Run	2	0	0	0	2	2	2	0	2	2	0	2
35	N40704	Support - Hose	2	2	2	2	2	2	6	6	6	6	6	6
36	N40709	Bracket	0	0	0	0	0	0	0	0	0	0	0	0
37	N19717	Hook - Chain	2	2	2	2	2	2	2	2	2	2	2	2
38	N19448	Chain - 80 Link	1	1	1	1	1	1	1	1	1	1	1	1

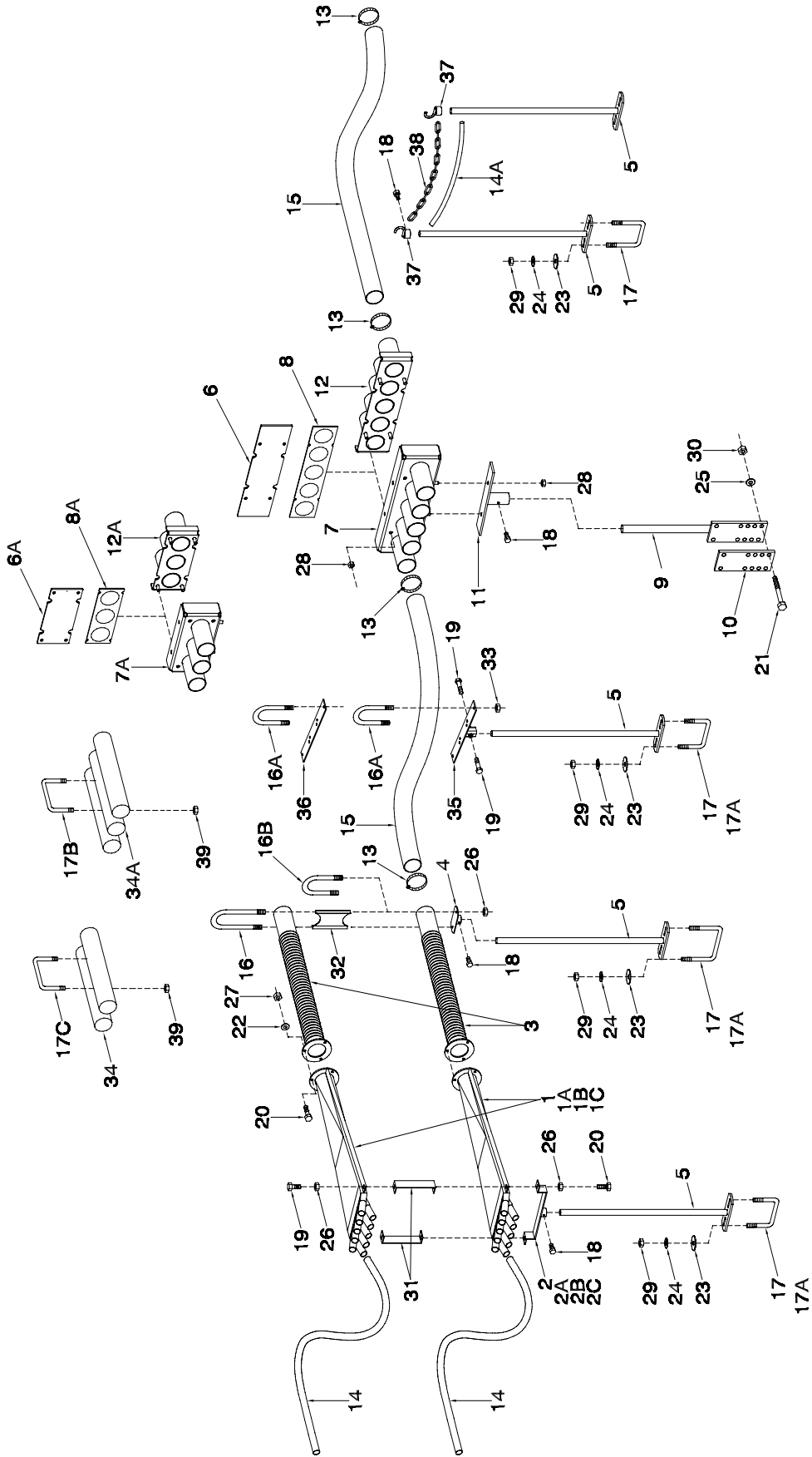
Distribution Single Shot Tow Between



Distribtion - Single Shoot Tow Between

Item	Part No.	Description	No. Used											
			40 ft			50 ft			60 ft					
			7 1/2	10	12	7 1/2	10	12	7 1/2	10	12			
1	N42274	Divider Assembly - 11 Outlet	As req	As req	As req	As req	As req	As req	As req	As req	As req	As req	As req	As req
1A	N31190	Divider Assembly - 10 Outlet	As req	As req	As req	As req	As req	As req	As req	As req	As req	As req	As req	As req
1B	N31189	Divider Assembly - 9 Outlet	As req	As req	As req	As req	As req	As req	As req	As req	As req	As req	As req	As req
1C	N31188	Divider Assembly - 8 Outlet	As req	As req	As req	As req	As req	As req	As req	As req	As req	As req	As req	As req
1D	N31187	Divider Assembly - 7 Outlet	As req	As req	As req	As req	As req	As req	As req	As req	As req	As req	As req	As req
2	N40544	Support - 11 Outlet	As req	As req	As req	As req	As req	As req	As req	As req	As req	As req	As req	As req
2A	N19406	Support - 10 Outlet	As req	As req	As req	As req	As req	As req	As req	As req	As req	As req	As req	As req
2B	N15595	Support - 9 Outlet	As req	As req	As req	As req	As req	As req	As req	As req	As req	As req	As req	As req
2C	N15107	Support - 8 Outlet	As req	As req	As req	As req	As req	As req	As req	As req	As req	As req	As req	As req
2D	N15594	Support - 7 Outlet	As req	As req	As req	As req	As req	As req	As req	As req	As req	As req	As req	As req
3	N15135	Pipe - Corr Diff - Divider Head	8	6	5	9	7	6	9	9	7			
4	N15102	Support - Rear	8	6	5	9	7	6	9	9	7			
5	N19531	Support - Bottom - Rod 24	18	14	12	20	16	14	24	24	20			
6	N39877	Cover Plate - 5 Run	4	0	0	4	4	0	4	4	4			
6A	N39876	Cover Plate - 3 Run	0	4	4	0	0	4	0	0	0			
7	S39743	Coupler - 5 Run - Tillage	2	0	0	2	2	0	2	2	2			
7A	S39844	Coupler - 3 Run - Tillage	0	2	2	0	0	2	0	0	0			
8	S39752	Gasket Seal - 5 Run	2	0	0	2	2	0	2	2	2			
8A	S39885	Gasket Seal - 3 Run	0	2	2	0	0	2	0	0	0			
9	S39340	Plate - Left	1	1	1	1	1	1	1	1	1			
9A	S39341	Plate - Right	1	1	1	1	1	1	1	1	1			
10	S39343	Plate - Left	1	1	1	1	1	1	1	1	1			
10A	S39344	Plate - Right	1	1	1	1	1	1	1	1	1			
11	S39336	Carrier Plate - Distribution	1	1	1	1	1	1	1	1	1			
12	S39747	Coupler - 5 Run - Cart	2	0	0	2	2	0	2	2	2			
12A	S39843	Coupler - 3 Run - Cart	0	2	2	0	0	2	0	0	0			
13	N11905	Hose Clamp - 2 1/2	54	38	34	70	58	50	70	70	58			
14	R480034	Hose - .929IDx1.169OD/ft(75 ft roll)	525	375	300	600	450	375	600	600	450			
15	R480055	Hose - 2 1/2 ID/ft (100 ft rolls)	120	90	125	225	140	120	225	225	175			
16	N15096	U-Bolt - 1/4 x 2 9/16 x 3 1/4 Lg	8	6	5	9	7	6	9	9	7			
16A	N37630	U-Bolt - 1/4 x 2 3/4 x 3 3/4 Lg	6	6	6	6	6	6	18	18	18			
17	N15098	U-Bolt - 3/8 x 4 x 5	18	14	12	20	16	14	24	24	20			
17A	N15097	U-Bolt - 3/8 x 2 x 5	18	14	12	20	16	14	24	24	20			
17B	N40715	U-Bolt - 3/8 x 8 x 9 3/4 Lg	4	2	2	4	6	4	4	4	6			
17C	N40716	U-Bolt - 3/8 x 5 x 8 3/4 Lg	0	0	0	2	2	2	2	2	2			
18	N24396	Setscrew - 1/4 x 1/2	16	12	10	18	14	12	18	18	14			
19	K-3830	Hex Bolt - 1/4 x 1/2 Lg	20	16	14	22	18	16	30	30	26			
20	W-469	Hex Bolt - 1/4 x 3/4 Lg	24	18	15	27	21	18	27	27	21			
21	W-485	Hex Bolt - 1/2 x 1 1/4 Lg	4	4	4	4	4	4	4	4	4			
22	W-521	Lockwasher - 1/4	24	18	15	27	21	18	27	27	21			
23	D-5579	Flatwasher - 3/8	36	28	24	40	32	28	48	48	40			
24	W-523	Lockwasher - 3/8	40	32	28	44	36	32	52	52	44			
25	W-525	Lockwasher - 1/2	4	4	4	4	4	4	4	4	4			
26	D-5277	Serrated Locknut - 1/4	32	24	20	36	28	24	36	36	28			
27	W-512	Hex Nut - 1/4	24	18	15	27	21	18	27	27	21			
28	D-5279	Serrated Locknut - 3/8	12	12	12	12	12	12	12	12	12			
29	W-514	Hex Nut - 3/8	40	32	28	44	36	32	52	52	44			
30	W-516	Hex Nut - 1/2	4	4	4	4	4	4	4	4	4			
31	S27987	Locknut Flange Center Lock - 3/8 ..	8	4	4	12	16	12	12	12	16			
32	N22778	Locknut Nylon Insert - 1/4	12	12	12	12	12	12	36	36	24			
33	N32498	Pipe - 2 1/2 OD x 14 Ga	8	6	5	9	7	6	9	9	7			
34	N40703	Manifold - 2 Run	0	2	2	6	2	2	4	6	2			
34A	N40708	Manifold - 3 Run	2	0	0	0	2	2	2	0	2			
35	N40704	Support - Hose	2	2	2	2	2	2	6	6	6			
36	N40709	Bracket	0	0	0	0	0	0	0	0	0			
37	C-219	U-Bolt - 5/8 x 4 x 5 9/16	4	4	4	4	4	4	4	4	4			
38	W-526	Lockwasher - 5/8	4	4	4	4	4	4	4	4	4			
39	W-517	Hex Nut - 5/8	4	4	4	4	4	4	4	4	4			
40	N19428	Hose - 2.54 ID x 2.79 OD x 5 Lg	8	6	5	9	7	6	9	9	7			

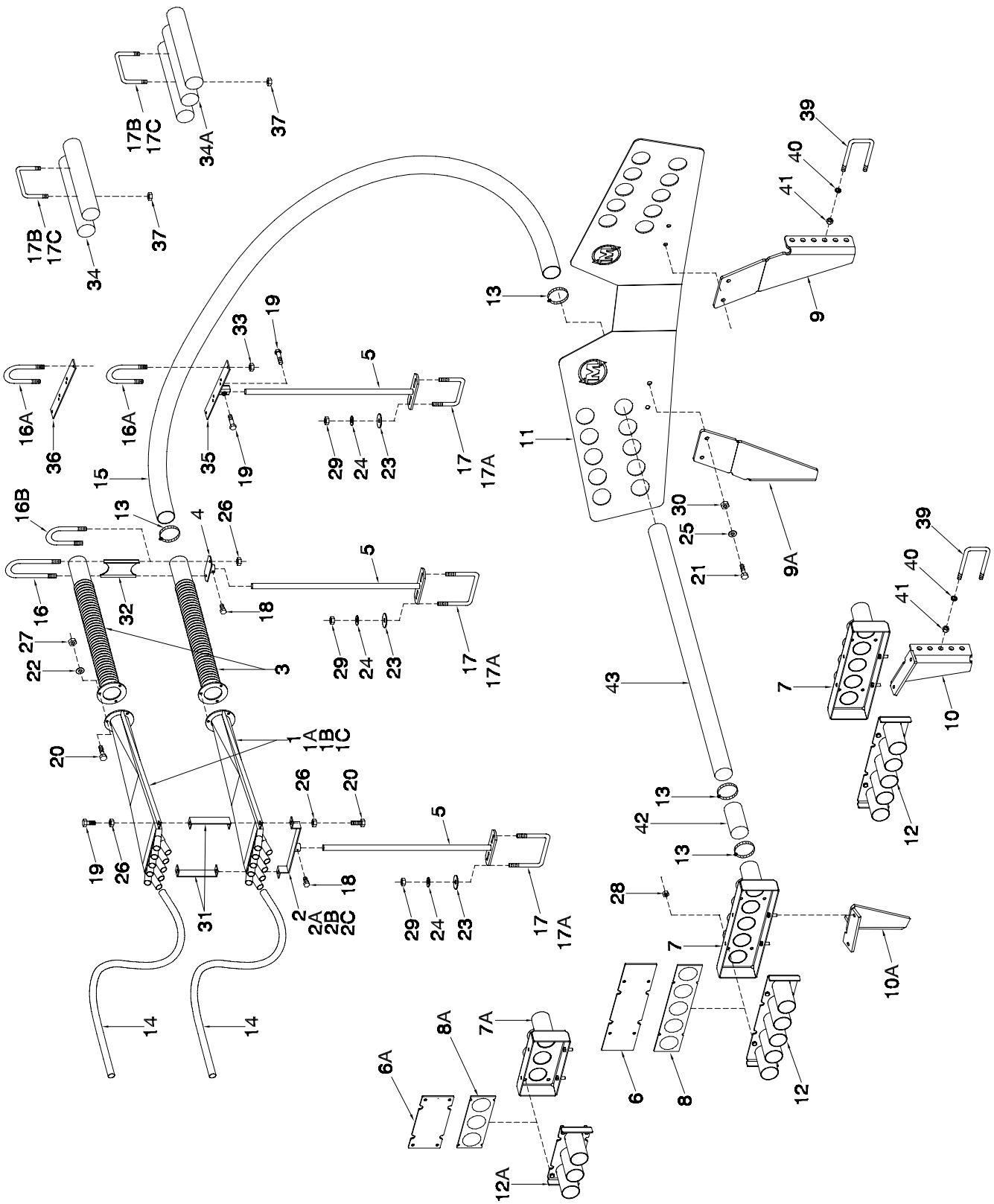
Distribution Dual Shot Tow Behind



Distribution - Dual Shoot Tow Behind

Item	Part No.	Description	No. Used										
			40 ft			50 ft			60 ft				
			7 1/2	10	12	7 1/2	10	12	7 1/2	10	12		
1	N42274	Divider Assembly - 11 Outlet	As req	As req	As req	As req	As req	As req	As req	As req	As req	As req	As req
1A	N31190	Divider Assembly - 10 Outlet	As req	As req	As req	As req	As req	As req	As req	As req	As req	As req	As req
1B	N31189	Divider Assembly - 9 Outlet	As req	As req	As req	As req	As req	As req	As req	As req	As req	As req	As req
1C	N31188	Divider Assembly - 8 Outlet	As req	As req	As req	As req	As req	As req	As req	As req	As req	As req	As req
1D	N31187	Divider Assembly - 7 Outlet	As req	As req	As req	As req	As req	As req	As req	As req	As req	As req	As req
2	N40544	Support - 11 Outlet	As req	As req	As req	As req	As req	As req	As req	As req	As req	As req	As req
2A	N19406	Support - 10 Outlet	As req	As req	As req	As req	As req	As req	As req	As req	As req	As req	As req
2B	N15595	Support - 9 Outlet	As req	As req	As req	As req	As req	As req	As req	As req	As req	As req	As req
2C	N15107	Support - 8 Outlet	As req	As req	As req	As req	As req	As req	As req	As req	As req	As req	As req
2D	N15594	Support - 7 Outlet	As req	As req	As req	As req	As req	As req	As req	As req	As req	As req	As req
3	N15135	Pipe - Corr Diff - Divider Head	16	12	10	18	14	12	18	18	14		
4	N15102	Support - Rear	8	6	5	11	9	8	11	11	9		
5	N19531	Support - Bottom - Rod 24	18	14	12	24	20	18	28	28	24		
6	N39877	Cover Plate - 5 Run	8	0	0	8	8	0	8	8	8		
6A	N39876	Cover Plate - 3 Run	0	8	8	0	0	8	0	0	0		
7	S39743	Coupler - 5 Run - Tillage	4	0	0	4	4	0	4	4	4		
7A	S39844	Coupler - 3 Run - Tillage	0	4	4	0	0	4	0	0	0		
8	S39752	Gasket Seal - 5 Run	4	0	0	4	4	0	4	4	4		
8A	S39885	Gasket Seal - 3 Run	0	4	4	0	0	4	0	0	0		
9	N19575	Base - Hose Coupler	4	4	4	4	4	4	4	4	4		
10	N19409	Plate - Mount	4	4	4	4	4	4	4	4	4		
11	N39840	Mount - Coupler	4	4	4	4	4	4	4	4	4		
12	S39747	Coupler - 5 Run - Cart	4	0	0	4	4	0	4	4	4		
12A	S39843	Coupler - 3 Run - Cart	0	4	4	0	0	4	0	0	0		
13	N11905	Hose Clamp - 2 1/2	60	40	38	86	74	64	86	86	74		
14	R480034	Hose-.929IDx1.169OD/ft(75 ft roll) .	1050	750	600	1200	900	750	1200	1200	900		
14A	R480034	Hose-.929IDx1.169OD/ft(75 ft roll) .	1.5 ft	1.5 ft	1.5 ft	1.5 ft	1.5 ft	1.5 ft	1.5 ft	1.5 ft	1.5 ft		
15	R480055	Hose - 2 1/2 ID/ft (100 ft rolls)	240	180	250	450	280	240	450	450	350		
16	N16504	U-Bolt - 1/4 x 2 9/16 x 9 1/2 Lg	8	6	5	7	5	4	7	7	5		
16A	N37630	U-Bolt - 1/4 x 2 3/4 x 3 3/4 Lg	12	12	12	12	12	12	36	36	36		
16B	N15096	U-Bolt 1/4 x 2 9/16 x 3 1/4 Lg	0	0	0	4	4	4	4	4	4		
17	N15098	U-Bolt - 3/8 x 4 x 5	18	14	12	24	20	18	28	28	24		
17A	N15097	U-Bolt - 3/8 x 2 x 5	18	14	12	24	20	18	28	28	24		
17B	N40715	U-Bolt 3/8 X 8 X 9 3/4	8	4	4	10	12	8	10	10	12		
17C	N40716	U-Bolt 3/8 X 5 X 8 3/4	0	0	0	4	4	4	4	4	4		
18	N24396	Setscrew - 1/4 x 1/2	20	16	14	26	22	20	26	26	22		
19	K-3830	Hex Bolt - 1/4 x 1/2 Lg	36	28	24	22	18	16	30	30	26		
20	W-469	Hex Bolt - 1/4 x 3/4 Lg	64	48	40	68	52	44	68	68	52		
21	W-496	Hex Bolt - 1/2 x 5 1/2 Lg	16	16	16	16	16	16	16	16	16		
22	W-521	Lockwasher - 1/4	48	36	30	54	42	36	54	54	42		
23	D-5579	Flatwasher - 3/8	36	28	24	48	40	36	56	56	48		
24	W-523	Lockwasher - 3/8	44	36	32	56	48	44	64	64	56		
25	W-525	Lockwasher - 1/2	16	16	16	16	16	16	16	16	16		
26	D-5277	Serrated Locknut - 1/4	48	36	30	58	46	40	58	58	46		
27	W-512	Hex Nut - 1/4	48	36	30	54	42	36	54	54	42		
28	D-5279	Serrated Locknut - 3/8	24	24	24	24	24	24	24	24	24		
29	W-514	Hex Nut - 3/8	44	36	32	56	48	44	64	64	56		
30	W-516	Hex Nut - 1/2	16	16	16	16	16	16	16	16	16		
31	N16689	Bracket Front - Dual Shoot Heads ..	16	12	10	14	10	8	14	14	10		
32	N16507	Spacer - Rear - Dual Shoot Heads	8	6	5	7	5	4	7	7	5		
33	N22778	Locknut Nylon Insert - 1/4	24	24	24	24	24	24	72	72	72		
34	N40703	Manifold - 2 Run	0	4	4	6	4	4	6	6	4		
34A	N40708	Manifold - 3 Run	4	0	0	4	4	4	4	4	4		
35	N40704	Support - Hose	2	2	2	4	4	4	6	6	6		
36	N40709	Bracket	2	2	2	2	2	2	6	6	6		
37	N19717	Hook - Chain	2	2	2	2	2	2	2	2	2		
38	N19448	Chain - 80 Link	1	1	1	1	1	1	1	1	1		
39	S27987	Locknut Flange Center Lock - 3/8 ..	16	8	8	28	32	24	28	28	32		

Distribution Dual Shot Tow Between



Distribution - Dual Shoot Tow Between

Item	Part No.	Description	No. Used											
			40 ft			50 ft			60 ft					
			7 1/2	10	12	7 1/2	10	12	7 1/2	10	12			
1	N42274	Divider Assembly - 11 Outlet	As req	As req	As req	As req	As req	As req	As req	As req	As req	As req	As req	As req
1A	N31190	Divider Assembly - 10 Outlet	As req	As req	As req	As req	As req	As req	As req	As req	As req	As req	As req	As req
1B	N31189	Divider Assembly - 9 Outlet	As req	As req	As req	As req	As req	As req	As req	As req	As req	As req	As req	As req
1C	N31188	Divider Assembly - 8 Outlet	As req	As req	As req	As req	As req	As req	As req	As req	As req	As req	As req	As req
1D	N31187	Divider Assembly - 7 Outlet	As req	As req	As req	As req	As req	As req	As req	As req	As req	As req	As req	As req
2	N40544	Support - 11 Outlet	As req	As req	As req	As req	As req	As req	As req	As req	As req	As req	As req	As req
2A	N19406	Support - 10 Outlet	As req	As req	As req	As req	As req	As req	As req	As req	As req	As req	As req	As req
2B	N15595	Support - 9 Outlet	As req	As req	As req	As req	As req	As req	As req	As req	As req	As req	As req	As req
2C	N15107	Support - 8 Outlet	As req	As req	As req	As req	As req	As req	As req	As req	As req	As req	As req	As req
2D	N15594	Support - 7 Outlet	As req	As req	As req	As req	As req	As req	As req	As req	As req	As req	As req	As req
3	N15135	Pipe - Corr Diff - Divider Head	16	12	10	18	14	12	18	18	14	18	18	14
4	N15102	Support - Rear	8	6	5	9	7	6	9	9	7	9	9	7
5	N19531	Support - Bottom - Rod 24	18	14	12	24	20	18	28	28	24	28	28	24
6	N39877	Cover Plate - 5 Run	8	0	0	8	8	0	8	8	0	8	8	0
6A	N39876	Cover Plate - 3 Run	0	8	8	0	0	8	0	0	8	0	0	0
7	S39743	Coupler - 5 Run - Tillage	4	0	0	4	4	0	4	4	0	4	4	0
7A	S39844	Coupler - 3 Run - Tillage	0	4	4	0	0	4	0	0	4	0	0	0
8	S39752	Gasket Seal - 5 Run	4	0	0	4	4	0	4	4	0	4	4	0
8A	S39885	Gasket Seal - 3 Run	0	4	4	0	0	4	0	0	4	0	0	0
9	S39340	Plate - Left	1	1	1	1	1	1	1	1	1	1	1	1
9A	S39341	Plate - Right	1	1	1	1	1	1	1	1	1	1	1	1
10	S39343	Plate - Left	1	1	1	1	1	1	1	1	1	1	1	1
10A	S39344	Plate - Right	1	1	1	1	1	1	1	1	1	1	1	1
11	S39336	Carrier Plate - Distribution	1	1	1	1	1	1	1	1	1	1	1	1
12	S39747	Coupler - 5 Run - Cart	4	0	0	4	4	0	4	4	0	4	4	0
12A	S39843	Coupler - 3 Run - Cart	0	4	4	0	0	4	0	0	4	0	0	0
13	N11905	Hose Clamp - 2 1/2	108	76	68	140	116	100	140	140	116	140	140	116
14	R480034	Hose-.929IDx1.169OD/ft(75 ft roll) .	1050	750	600	1200	900	750	1200	1200	900	1200	1200	900
15	R480055	Hose - 2 1/2 ID/ft (100 ft rolls)	240	180	250	450	280	240	450	450	280	450	450	280
16	N16504	U-Bolt - 1/4 x 2 9/16 x 9 1/2 Lg	8	6	5	7	5	4	7	7	5	7	7	5
16A	N37630	U-Bolt - 1/4 x 2 3/4 x 3 3/4 Lg	12	12	12	12	12	12	36	36	12	36	36	12
16B	N15096	U Bolt 1/4 x 2 9/16 x 3 1/4 lg	0	0	0	4	4	4	4	4	4	4	4	4
17	N15098	U-Bolt - 3/8 x 4 x 5	18	14	12	24	20	18	28	28	18	28	28	18
17A	N15097	U-Bolt - 3/8 x 2 x 5	18	14	12	24	20	18	28	28	18	28	28	18
17B	N40715	U-Bolt - 3/8 x 8 x 9 3/4 Lg	8	4	4	10	12	8	10	10	8	10	10	8
17C	N40716	U-Bolt - 3/8 x 5 x 8 3/4 Lg	0	0	0	4	4	4	4	4	4	4	4	4
18	N24396	Setscrew - 1/4 x 1/2	16	12	10	22	18	16	22	22	16	22	22	16
19	K-3830	Hex Bolt - 1/4 x 1/2 Lg	36	28	24	22	18	16	30	30	16	30	30	16
20	W-469	Hex Bolt - 1/4 x 3/4 Lg	64	48	40	68	52	44	68	68	44	68	68	44
21	W-485	Hex Bolt - 1/2 x 1 x 1 1/4 Lg	4	4	4	4	4	4	4	4	4	4	4	4
22	W-521	Lockwasher - 1/4	48	36	30	54	42	36	54	54	36	54	54	36
23	D-5579	Flatwasher - 3/8	36	28	24	48	40	36	56	56	36	56	56	36
24	W-523	Lockwasher - 3/8	44	36	32	56	48	44	64	64	44	64	64	44
25	W-525	Lockwasher - 1/2	4	4	4	4	4	4	4	4	4	4	4	4
26	D-5277	Serrated Locknut - 1/4	48	36	30	58	46	40	58	58	40	58	58	40
27	W-512	Hex Nut - 1/4	48	36	30	54	42	36	54	54	36	54	54	36
28	D-5279	Serrated Locknut - 3/8	24	24	24	24	24	24	24	24	24	24	24	24
29	W-514	Hex Nut - 3/8	44	36	32	56	48	44	64	64	44	64	64	44
30	W-516	Hex Nut - 1/2	4	4	4	4	4	4	4	4	4	4	4	4
31	N16689	Bracket Front - Dual Shoot Heads ..	16	12	10	14	10	8	14	14	8	14	14	8
32	N16507	Spacer - Rear - Dual Shoot Heads ..	8	6	5	7	5	4	7	7	4	7	7	4
33	N22778	Locknut Nylon Insert - 1/4	24	24	24	24	24	24	72	72	24	72	72	24
34	N40703	Manifold - 2 Run	0	4	4	6	4	4	6	6	4	6	6	4
34A	N40708	Manifold - 3 Run	4	0	0	4	4	4	4	4	4	4	4	4
35	N40704	Support - Hose	2	2	2	2	2	2	6	6	2	6	6	2
36	N40709	Bracket	2	2	2	2	2	2	6	6	2	6	6	2
37	S27987	Locknut Flange Center Lock - 3/8 ..	16	8	8	28	32	24	28	28	24	28	28	24
38	*****												
39	C-219	U-Bolt - 5/8 x 4 x 5 9/16	4	4	4	4	4	4	4	4	4	4	4	4
40	W-526	Lockwasher - 5/8	4	4	4	4	4	4	4	4	4	4	4	4
41	W-517	Hex Nut - 5/8	4	4	4	4	4	4	4	4	4	4	4	4
42	N19428	Hose - 2.54 ID x 2.79 OD x 5 Lg	16	12	10	18	14	12	18	18	12	18	18	12
43	N32498	Pipe - 2 1/2 OD x 14 Ga	16	12	10	18	14	12	18	18	12	18	18	12

Distribution - Divider Head

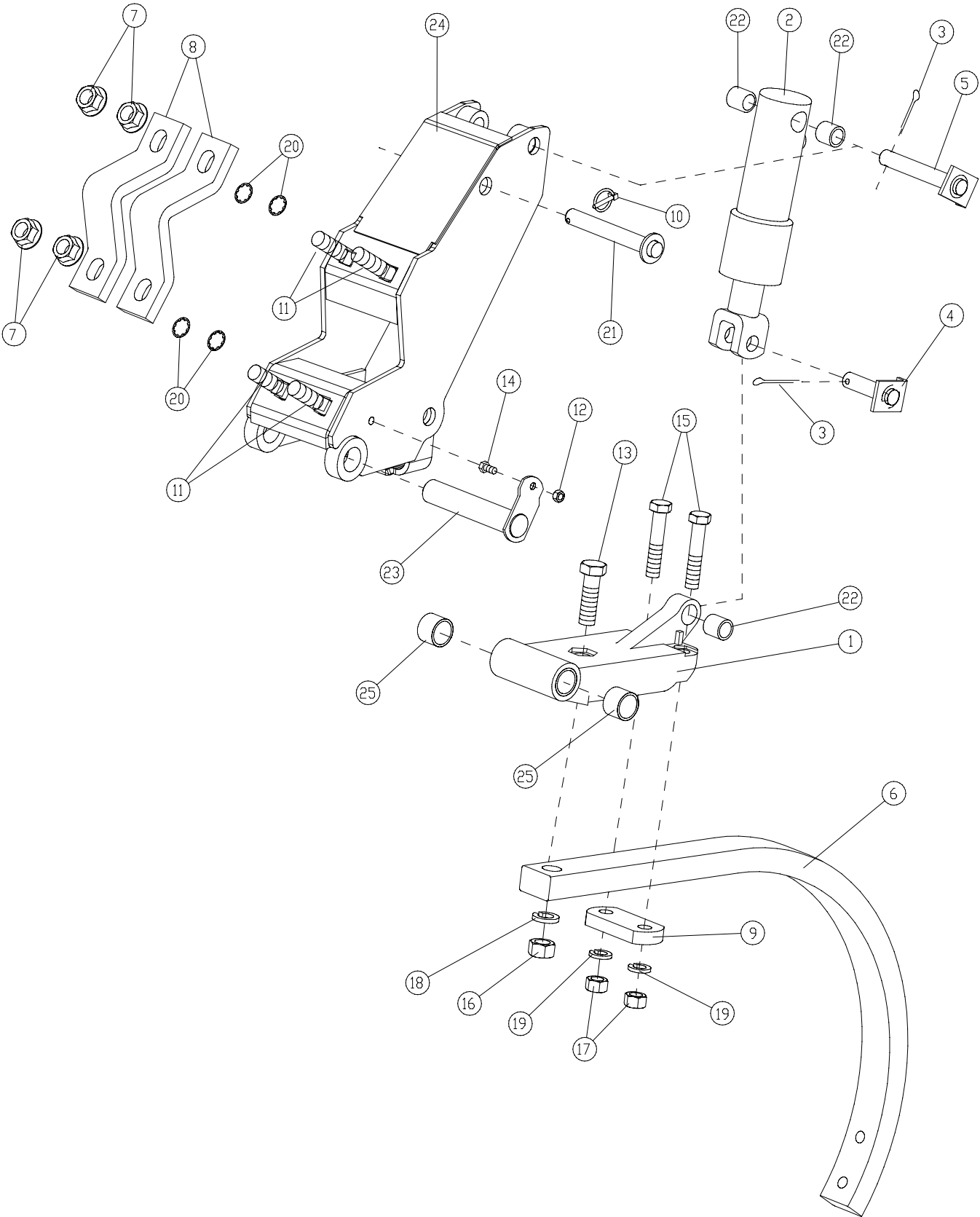
SEVEN OUTLET DIVIDER HEAD			
1	N31177	Divider Head - 7 Outlet	1
2	N31160	Access Door - 7 Outlet	1
3	N31165	Clip	2
4	N31171	Gasket - 7 Outlet	1
5	N31012	Carriage Bolt - 5/16 x 1 1/4	2
6	N31014	Hex Jam Nut - 5/16	2
7	N31016	Wing Nut - 5/16	2
	N31187	7 Outlet Divider Head Assembly (Includes All Above Items)	
EIGHT OUTLET DIVIDER HEAD			
1	N31178	Divider Head - 8 Outlet	1
2	N31161	Access Door - 8 Outlet	1
3	N31165	Clip	2
4	N31172	Gasket - 8 Outlet	1
5	N31012	Carriage Bolt - 5/16 x 1 1/4	2
6	N31014	Hex Jam Nut - 5/16	2
7	N31016	Wing Nut - 5/16	2
	N31188	8 Outlet Divider Head Assembly (Includes All Above Items)	
NINE OUTLET DIVIDER HEAD			
1	N31179	Divider Head - 9 Outlet	1
2	N31162	Access Door - 9 Outlet	1
3	N31165	Clip	2
4	N31173	Gasket - 9 Outlet	1
5	N31012	Carriage Bolt - 5/16 x 1 1/4	2
6	N31014	Hex Jam Nut - 5/16	2
7	N31016	Wing Nut - 5/16	2
	N31189	9 Outlet Divider Head Assembly (Includes All Above Items)	
TEN OUTLET DIVIDER HEAD			
1	N31180	Divider Head - 10 Outlet	1
2	N31163	Access Door - 10 Outlet	1
3	N31165	Clip	2
4	N31174	Gasket - 10 Outlet	1
5	N31012	Carriage Bolt - 5/16 x 1 1/4	2
6	N31014	Hex Jam Nut - 5/16	2
7	N31016	Wing Nut - 5/16	2
	N31190	10 Outlet Divider Head Assembly (Includes All Above Items)	
ELEVEN OUTLET DIVIDER HEAD			
1	N36972	Divider Head - 11 Outlet	1
2	N31163	Access Door - 10 Outlet	1
3	N40545	Clip - Access Door - 11	2
4	N31174	Gasket - 10 Outlet	1
5	N31012	Carriage Bolt - 5/16 x 1 1/4	2
6	N31014	Hex Jam Nut - 5/16	2
7	N31016	Wing Nut - 5/16	2
	N42274	11 Outlet Divider Head Assembly (Includes All Above Items)	
CORRUGATED DIFFUSER PIPE			
8	N15135	Pipe - Corr Diff - Divider Head	1
9	W-469	Hex Bolt - 1/4 x 3/4	3
10	W-521	Lock Washer - 1/4	3
11	W-512	Hex Nut - 1/4	3

Section 13: Hydraulic Trip System

Section Contents

550 lb Hydraulic Trip	13-2
Hitch Main Hydraulics	13-4
Main Frame Hydraulics - 10 Spacing	13-6
Main Frame Hydraulics - 12 Spacing	13-7
40ft and 60 ft Inner Wing Hydraulics - 10 Spacing	13-8
40ft and 60 ft Inner Wing Hydraulics - 12 Spacing	13-9
60 ft Outer Wing Hydraulics - 10 Spacing	13-10
60 ft Outer Wing Hydraulics - 12 Spacing	13-11
50 ft Inner Wing Hydraulics - 10 Spacing	13-12
50 ft Inner Wing Hydraulics - 12 Spacing	13-13
50 ft Outer Wing Hydraulics - 10 Spacing	13-14
50 ft Outer Wing Hydraulics - 12 Spacing	13-15
Digital Gauge	13-16

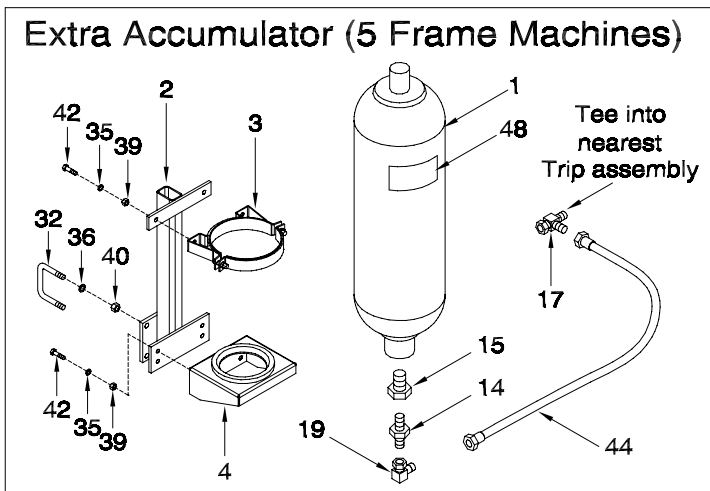
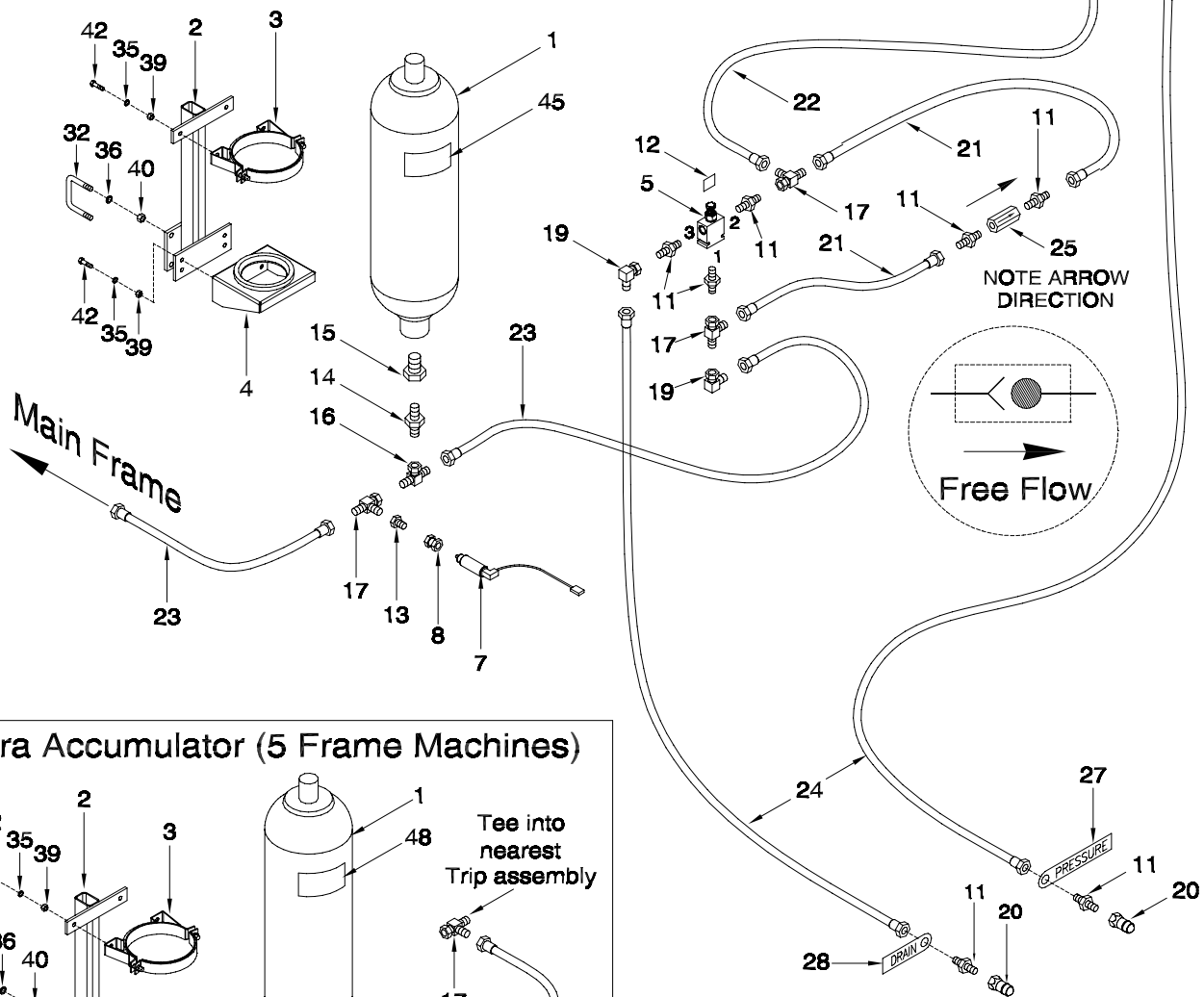
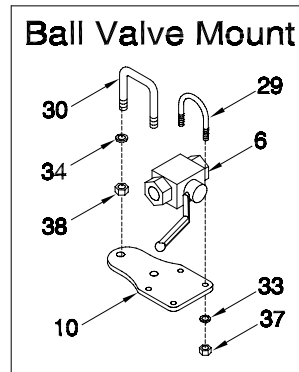
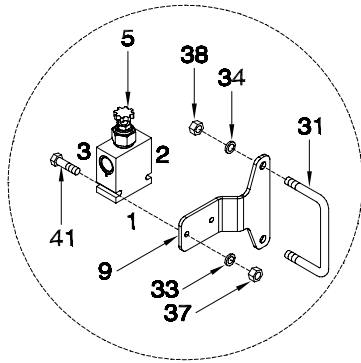
Trip Assembly 550 lb Hydraulic Trip



Trip Assembly - 550 lb Hydraulic Trip

Item	Part No.	Description	Qty
1	C17394	Casting - Shank Holder Pivot	1
2	C40081	Cylinder.....	1
	S41661	Seal Kit	
3	W-530	Cotter Pin - 5/32 x 1 Lg.....	2
4	S42079	Clevis Pin - 3/4 x 2 3/16 UL	1
5	S42080	Cylinder Pin - 3/4 x 4 3/8 UL	1
6	S31400	Shank - 1 X 2	1
6A	S32100	Shank - Edge On - 1 x 2 (Not Shown)	1
6B	S47075	Shank - 1 1/4 x 2 (Not Shown)	1
7	W14434	Locknut - 5/8 Flange	4
8	C26506	Clamp Strap - Shank	2
9	C18616	Clamp - Shank Holder	1
10	S42294	Klik Pin.....	1
11	C34561	Carriage Bolt - 5/8 x 3	4
12	C32925	Locknut - 5/16 Center	1
13	W-500	Hex Bolt - 5/8 x 2 1/4 (Used on 1x 2 shanks S31400 and S32100)	1
	W-501	Hex Bolt - 5/8 x 2 1/2 (Used on 1 1/4 x 2 shank S47075)	1
14	F-1767	Hex Bolt - 5/16 x 3/4 LG	1
15	W-490	Hex Bolt - 1/2 x 2 1/2 Lg (Used on 1x 2 shanks S31400 and S32100).....	2
	W-491	Hex Bolt - 1/2 x 2 3/4 Lg (Used on 1 1/4 x 2 shank S47075)	2
16	W-517	Hex Nut - 5/8.....	1
17	W-516	Hex Nut - 1/2.....	2
18	W-526	Lockwasher - 5/8	1
19	W-525	Lockwasher - 1/2	2
20	C34562	Retaining Ring - 5/8	4
21	S42293	Storage Pin	1
22	C18985	Spring Pin Bushing	3
23	C26529	Shank Pivot Pin	1
24	S42496	Mounting Bracket.....	1
25	C24979	Bushing - Shank Casting	2
	S42498	550 lb Hydraulic Trip Assembly - Conventional 1" x 2" Shank (Includes items 1 to 25 except #6A)	
	S42499	550 lb Hydraulic Trip Assembly - Edge On 1" x 2" Shank (Includes items 1 to 25 except #6)	

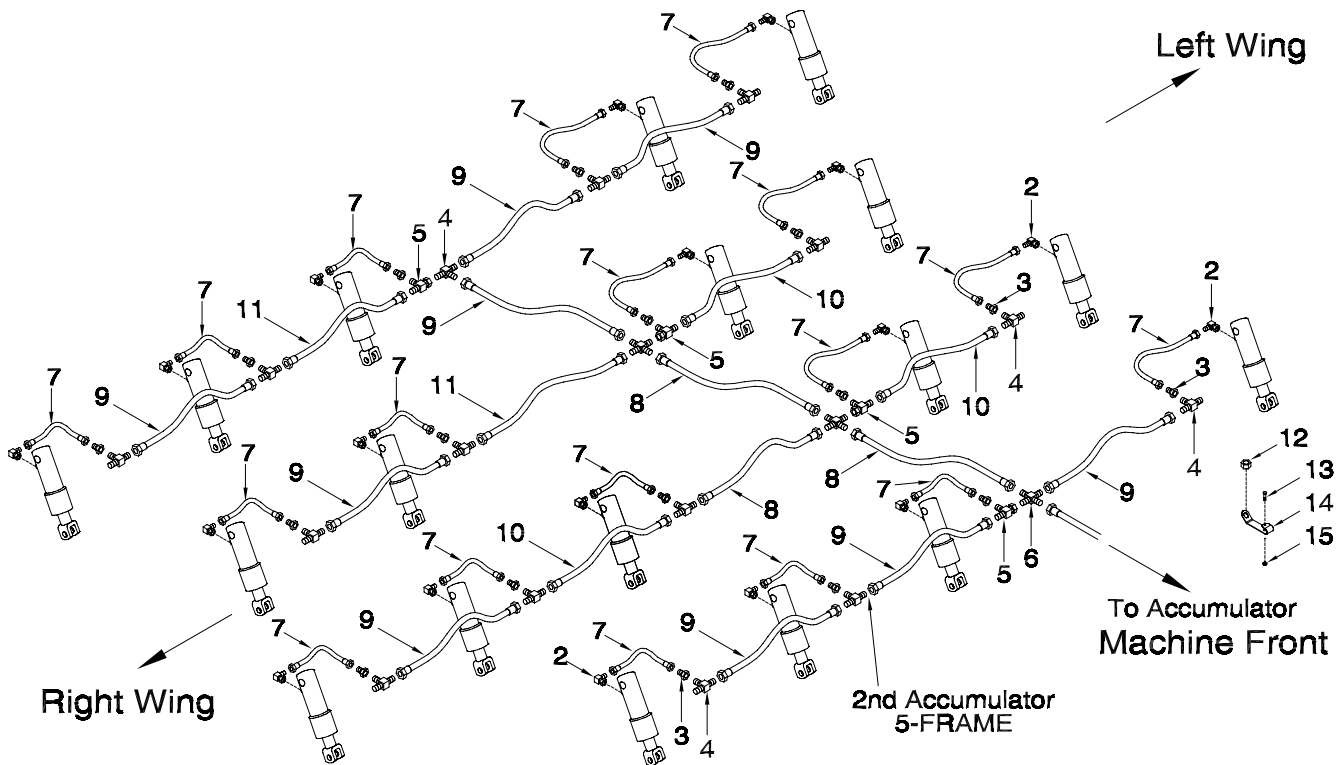
Trip Assembly Hitch Main Hydraulics



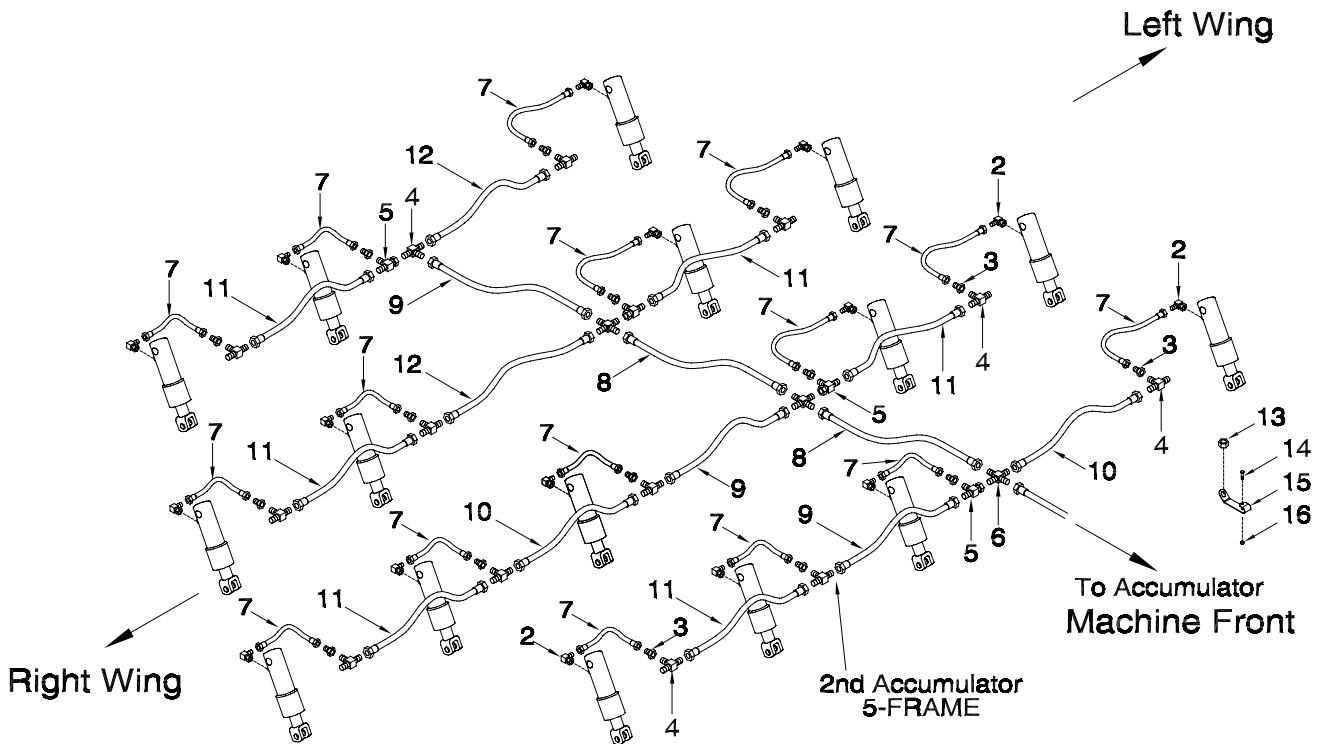
Trip Assembly - Hitch Main Hydraulics

Item	Part No.	Description	Qty
1	S42290	Accumulator	1
2	S42320	Mounting Bracket - Accumulator	1
3	C42313	Clamp - Accumulator	1
4	C42314	Base - Accumulator	1
5	S42307	Valve - Pressure Reducing	1
6	N42880	Valve - 2 Way Ball	1
6A	N42881	Handle - Valve	1
7	S42970	Pressure Transducer	1
8	S42998	Connector - 1/4 FNPT x 9/16-18 FJIC	1
9	S42316	Mounting Bracket - Valve	1
10	S39546	Mounting Bracket - Valve	1
11	C14840	Connector - 3/4-16 MORB x 7/8-14 MJIC	7
12	S42324	Decal - Increase Pressure	1
13	F10384	Reducer - 7/8-14 MJIC x 9/16-18 MJIC	1
14	C42312	Reducer - 7/8-14 MJIC x 1-5/16-14 MORB	1
15	C42311	Reducer - 1-7/8-14 MORB x 1-5/16-14 FORB	1
16	F24559	Tee - (1) 7/8-14 FJIC x (2) 7/8-14 MJIC	1
17	H18746	Tee - Swivel - (2) 7/8-14 MJIC x (1) 7/8-14 FJIC	3
18	C24585	90 Elbow - 7/8-14 MJIC x 3/4-16 MORB	2
19	K-5806	90 Elbow - Swivel - 7/8-14 MJIC x 7/8-14 FJIC	2
20	N34443	Male Tip - 3/4-16 ORB	2
21	N34366	Hyd Hose - 1/2 x 12 Lg w/7/8-14 FJIC	2
22	C-4383	Hyd Hose - 1/2 x 20 Lg w/7/8-14 FJIC	2
23	K-5685	Hyd Hose - 1/2 x 48 Lg w/7/8-14 FJIC	2
24	C26337	Hyd Hose - 1/2 x 276 Lg w/7/8-14 FJIC	2
25	N34494	Check Valve - 3/4-16 FORB	1
26	S13336	Tie Strap - 28 1/4 Lg	8
27	S42326	Tag - Accumulator Pressure	1
28	S42327	Tag - Accumulator Drain	1
29	N34319	U-Bolt - 1/4 x 1 1/2 x 1 3/4 Lg	2
30	N15097	U-Bolt - 3/8 x 2 x 5 Lg	1
31	D-4932	U-Bolt - 3/8 Dia x 4 1/2 x 3 Lg	1
32	S39649	U-Bolt - 5/8 x 4 x 7 3/4	2
33	W-521	Lockwasher - 1/4	6
34	W-523	Lockwasher - 3/8	4
35	W-525	Lockwasher - 1/2	6
36	W-526	Lockwasher - 5/8	4
37	W-512	Hex Nut - 1/4	6
38	W-514	Hex Nut - 3/8	4
39	W-516	Hex Nut - 1/2	6
40	W-517	Hex Nut - 5/8	4
41	W-1540	Hex Bolt - 1/4 x 2 Lg	2
42	W-485	Hex Bolt - 1/2 x 1 1/4 Lg	6
43	S42325	Decal - Accumulator Pressure	1
44	C-4404	Hyd Hose - 1/2 x 36 Lg w/7/8-14 FJIC	1
45	C-4262	Decal - Warning - Pressure Hazard	1

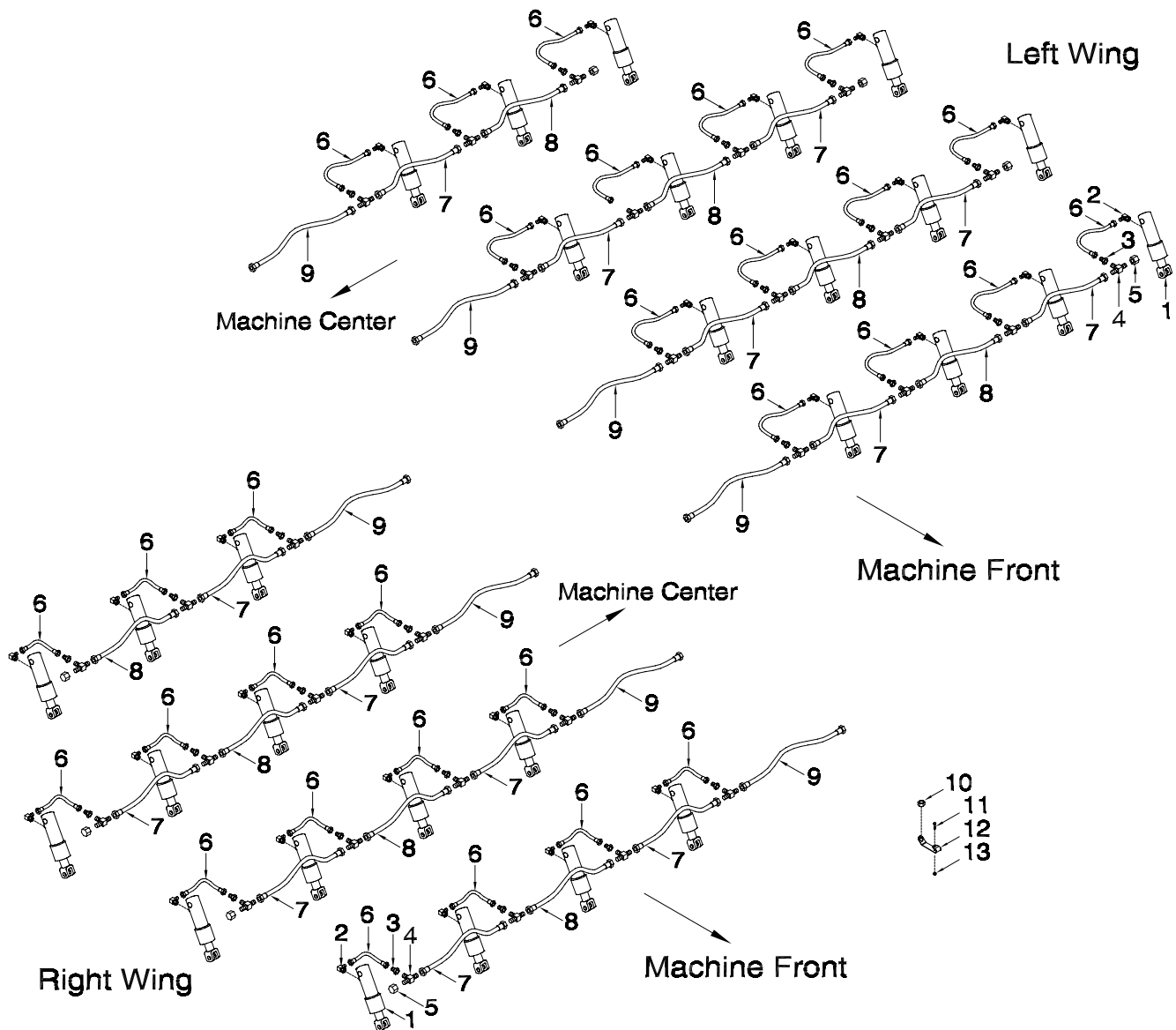
Trip Assembly Main Frame Hydraulics - 10 Spacing



Trip Assembly Main Frame Hydraulics - 12 Spacing

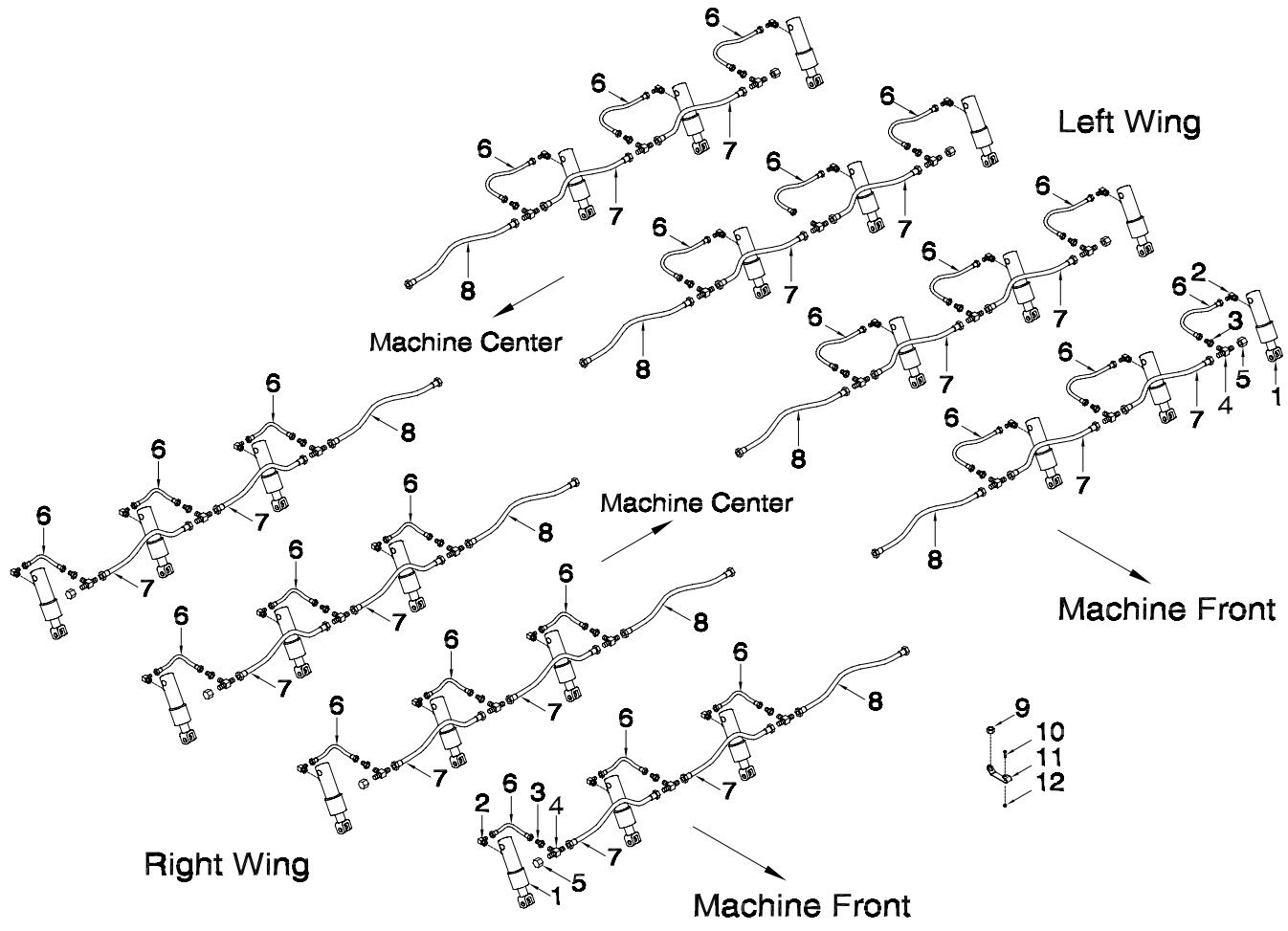


Trip Assembly 40ft and 60 ft Inner Wing Hydraulics - 10 Spacing



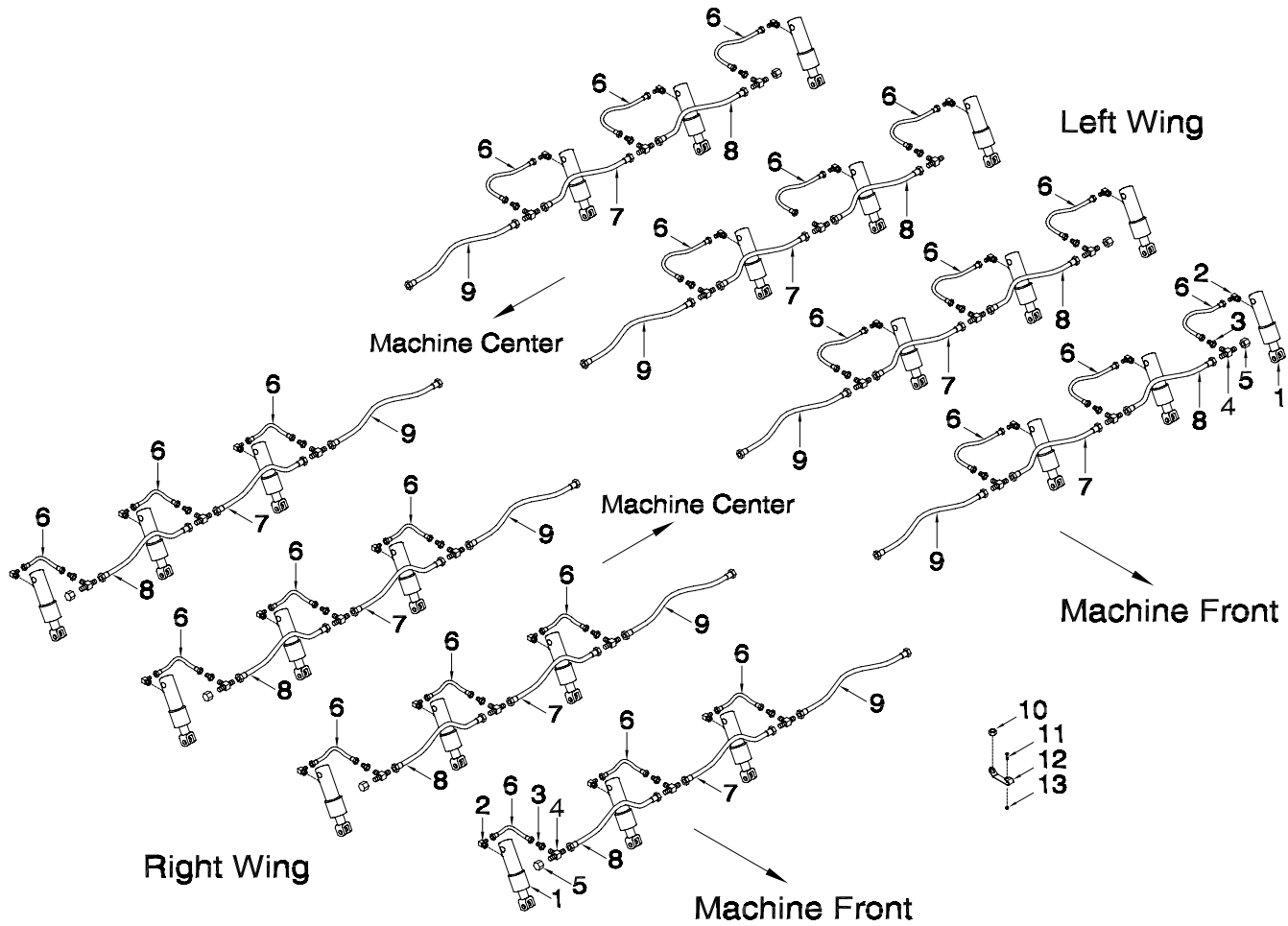
Item	Part No.	Description	Qty
1	C40081	Cylinder.....	30
2	N16143	90 Elbow - 9/16-18 MJIC x 9/16-18 MORB	30
3	F10384	Reducer - 7/8-14 MJIC x 9/16-18 MJIC	30
4	C-4394	Tee - (3) 7/8-14 MJIC.....	30
5	C42310	Plug - 7/8-14 FJIC - 40 ft	8
6	C-4552	Hyd Hose - 1/4 x 24 LG w/9/16-18 MJIC.....	30
7	C-4404	Hyd Hose - 1/2 x 36 Lg w/7/8-14 FJIC	14
8	C26344	Hyd Hose - 1/2 x 42 Lg w/7/8-14 FJIC	8
9	F-4565	Hyd Hose - 1/2 x 60 Lg w/7/8-14 FJIC	8
10	W-575	Hex Jam Nut - 3/4	30
11	W-470	Hex Bolt - 1/4 x 1 1/4 Lg	30
12	S42303	Hose Holder - Trip Mounted	30
13	N22778	Locknut - 1/4 Nylon Insert	30

Trip Assembly 40ft and 60 ft Inner Wing Hydraulics - 12 Spacing



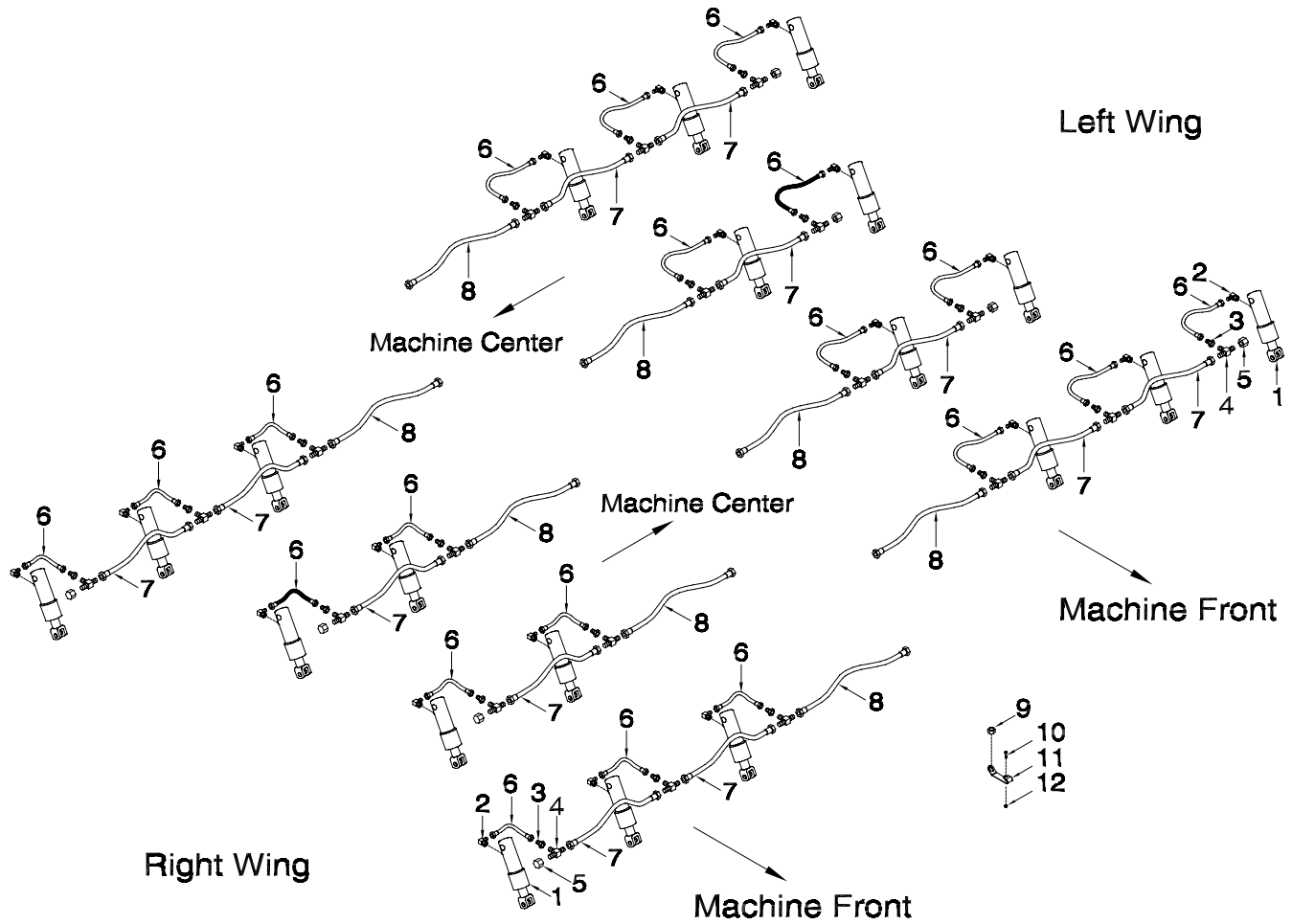
Item	Part No.	Description	Qty
1	C40081	Cylinder	24
2	N16143	90 Elbow - 9/16-18 MJIC x 9/16-18 MORB	24
3	F10384	Reducer - 7/8-14 MJIC x 9/16-18 MJIC	24
4	C-4394	Tee - (3) 7/8-14 MJIC	24
5	C42310	Plug - 7/8-14 FJIC - 40 ft	8
6	C-4552	Hyd Hose - 1/4 x 24 LG w/9/16-18 MJIC	24
7	K-5685	Hyd Hose - 1/2 x 48 Lg w/7/8-14 FJIC	16
8	F-4565	Hyd Hose - 1/2 x 60 Lg w/7/8-14 FJIC	8
9	W-575	Hex Jam Nut - 3/4	24
10	W-470	Hex Bolt - 1/4 x 1 1/4 Lg	24
11	S42303	Hose Holder - Trip Mounted	24
12	N22778	Locknut - 1/4 Nylon Insert	24

Trip Assembly 60 ft Outer Wing Hydraulics - 10 Spacing



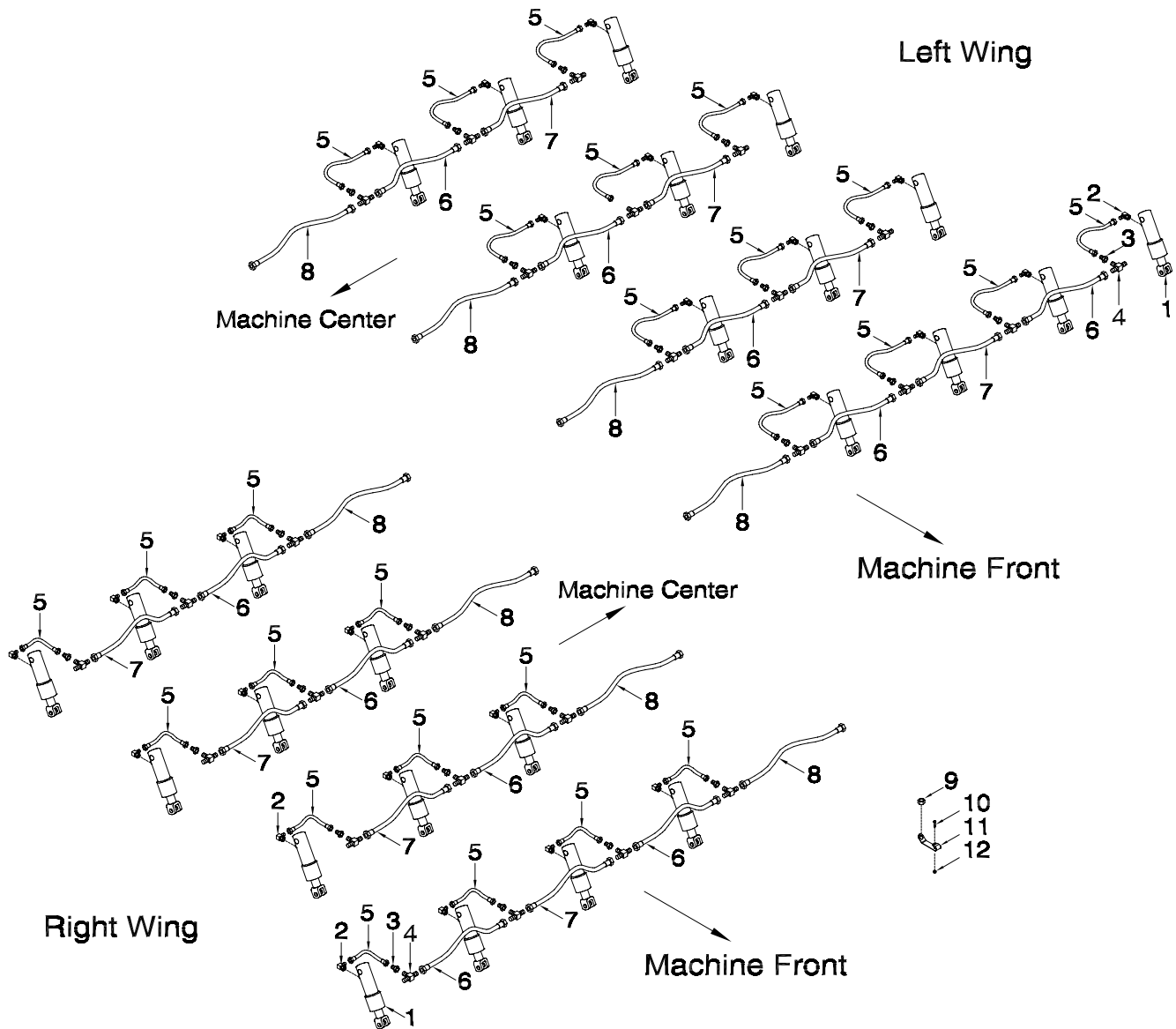
Item	Part No.	Description	Qty
1	C40081	Cylinder	24
2	N16143	90 Elbow - 9/16-18 MJIC x 9/16-18 MORB	24
3	F10384	Reducer - 7/8-14 MJIC x 9/16-18 MJIC	24
4	C-4394	Tee - (3) 7/8-14 MJIC	24
5	C42310	Plug - 7/8-14 FJIC	8
6	C-4552	Hyd Hose - 1/4 x 24 LG w/9/16-18 MJIC	24
7	C-4404	Hyd Hose - 1/2 x 36 Lg w/7/8-14 FJIC	8
8	C26344	Hyd Hose - 1/2 x 42 Lg w/7/8-14 FJIC	8
9	F-4565	Hyd Hose - 1/2 x 60 Lg w/7/8-14 FJIC	8
10	W-575	Hex Jam Nut - 3/4	24
11	W-470	Hex Bolt - 1/4 x 1 1/4 Lg	24
12	S42303	Hose Holder - Trip Mounted	24
13	N22778	Locknut - 1/4 Nylon Insert	24

Trip Assembly 60 ft Outer Wing Hydraulics - 12 Spacing



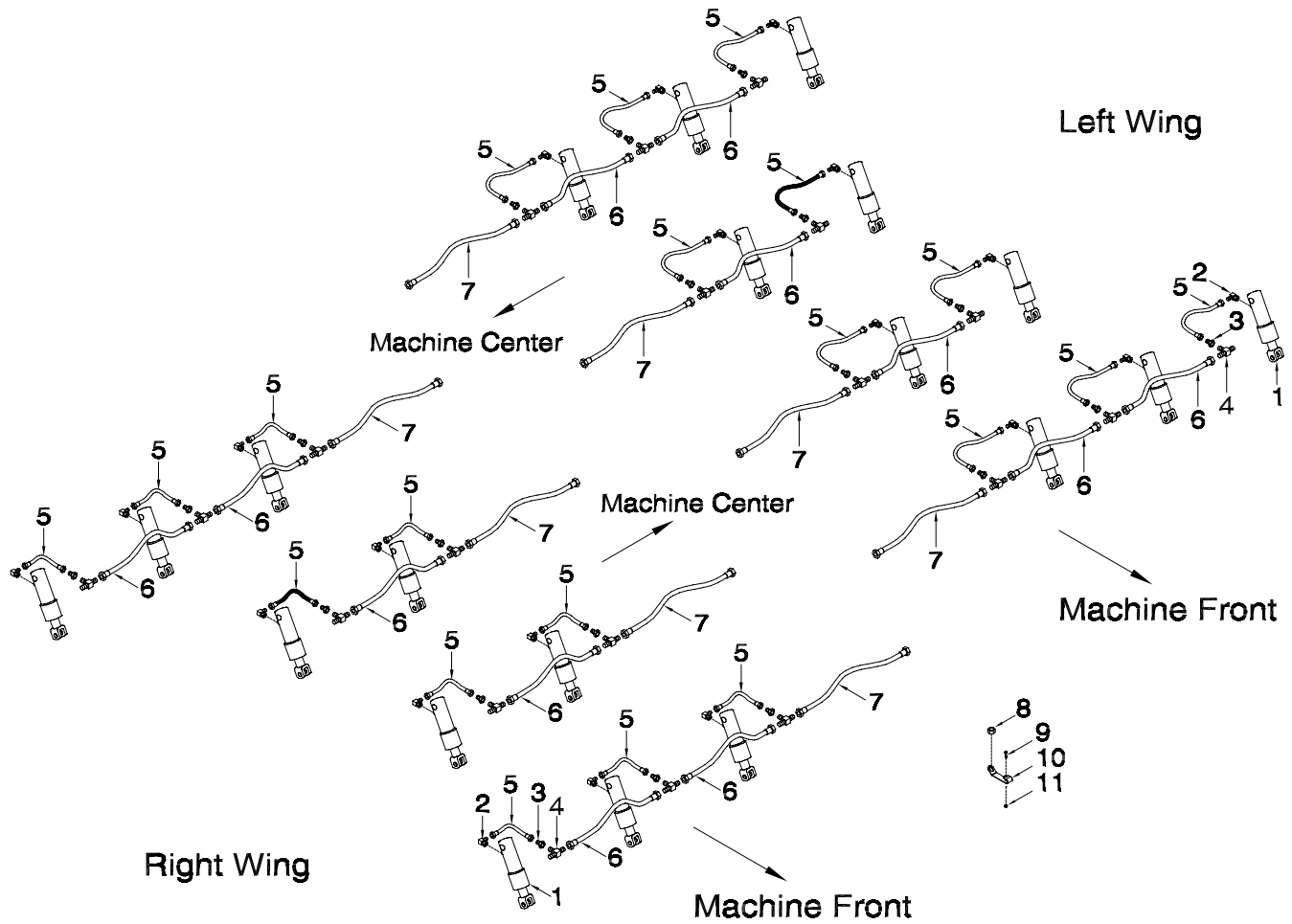
Item	Part No.	Description	Qty
1	C40081	Cylinder	20
2	N16143	90 Elbow - 9/16-18 MJIC x 9/16-18 MORB	20
3	F10384	Reducer - 7/8-14 MJIC x 9/16-18 MJIC	20
4	C-4394	Tee - (3) 7/8-14 MJIC	20
5	C42310	Plug - 7/8-14 FJIC	8
6	C-4552	Hyd Hose - 1/4 x 24 LG w/9/16-18 MJIC	20
7	K-5685	Hyd Hose - 1/2 x 48 Lg w/7/8-14 FJIC	12
8	F-4565	Hyd Hose - 1/2 x 60 Lg w/7/8-14 FJIC	8
9	W-575	Hex Jam Nut - 3/4	20
10	W-470	Hex Bolt - 1/4 x 1 1/4 Lg	20
11	S42303	Hose Holder - Trip Mounted	20
12	N22778	Locknut - 1/4 Nylon Insert	20

Trip Assembly 50 ft Inner Wing Hydraulics - 10 Spacing



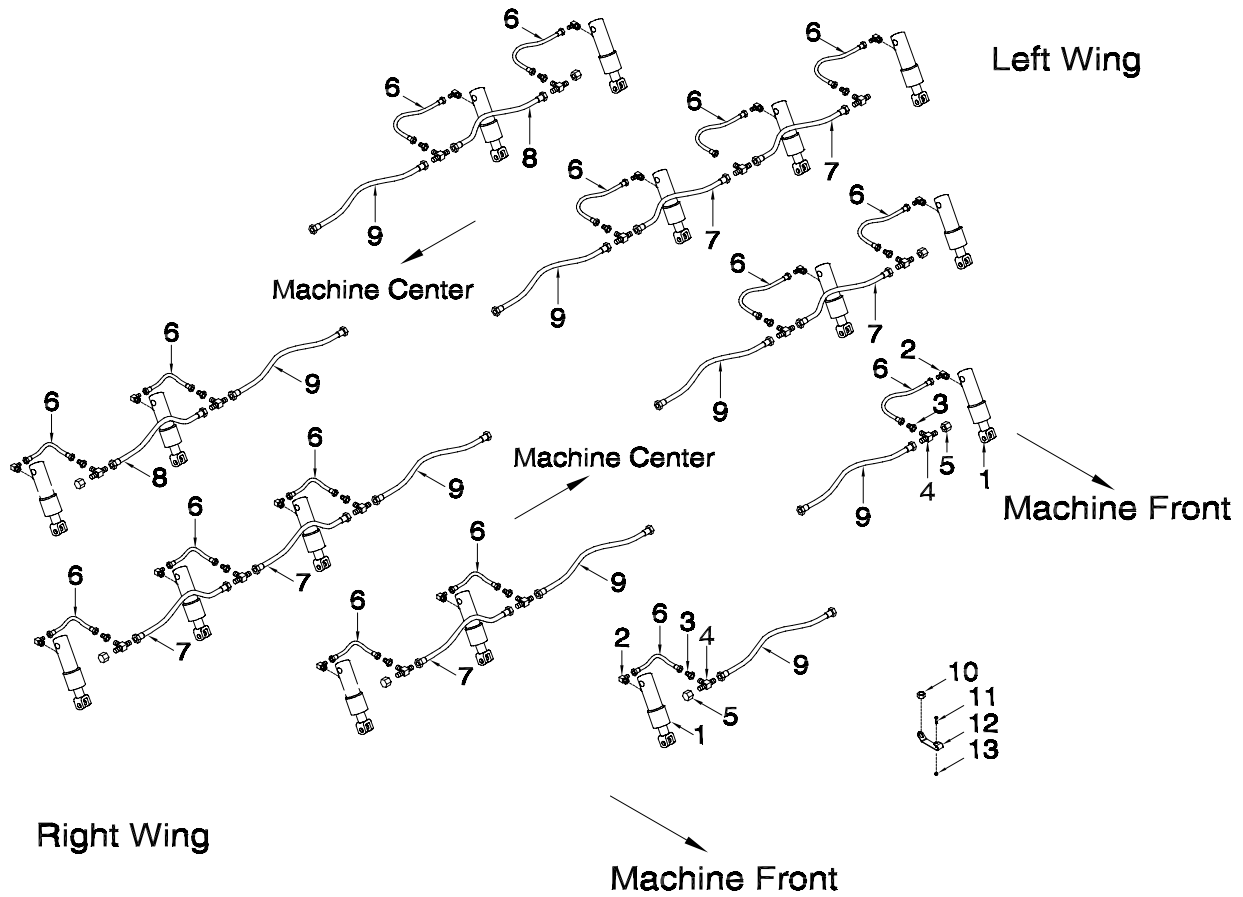
Item	Part No.	Description	Qty
1	C40081	Cylinder	26
2	N16143	90 Elbow - 9/16-18 MJIC x 9/16-18 MORB	26
3	F10384	Reducer - 7/8-14 MJIC x 9/16-18 MJIC	26
4	C-4394	Tee - (3) 7/8-14 MJIC	26
5	C-4552	Hyd Hose - 1/4 x 24 LG w/9/16-18 MJIC	26
6	C-4404	Hyd Hose - 1/2 x 36 Lg w/7/8-14 FJIC	10
7	C26344	Hyd Hose - 1/2 x 42 Lg w/7/8-14 FJIC	8
8	F-4565	Hyd Hose - 1/2 x 60 Lg w/7/8-14 FJIC	8
9	W-575	Hex Jam Nut - 3/4	26
10	W-470	Hex Bolt - 1/4 x 1 1/4 Lg	26
11	S42303	Hose Holder - Trip Mounted	26
12	N22778	Locknut - 1/4 Nylon Insert	26

Trip Assembly 50 ft Inner Wing Hydraulics - 12 Spacing



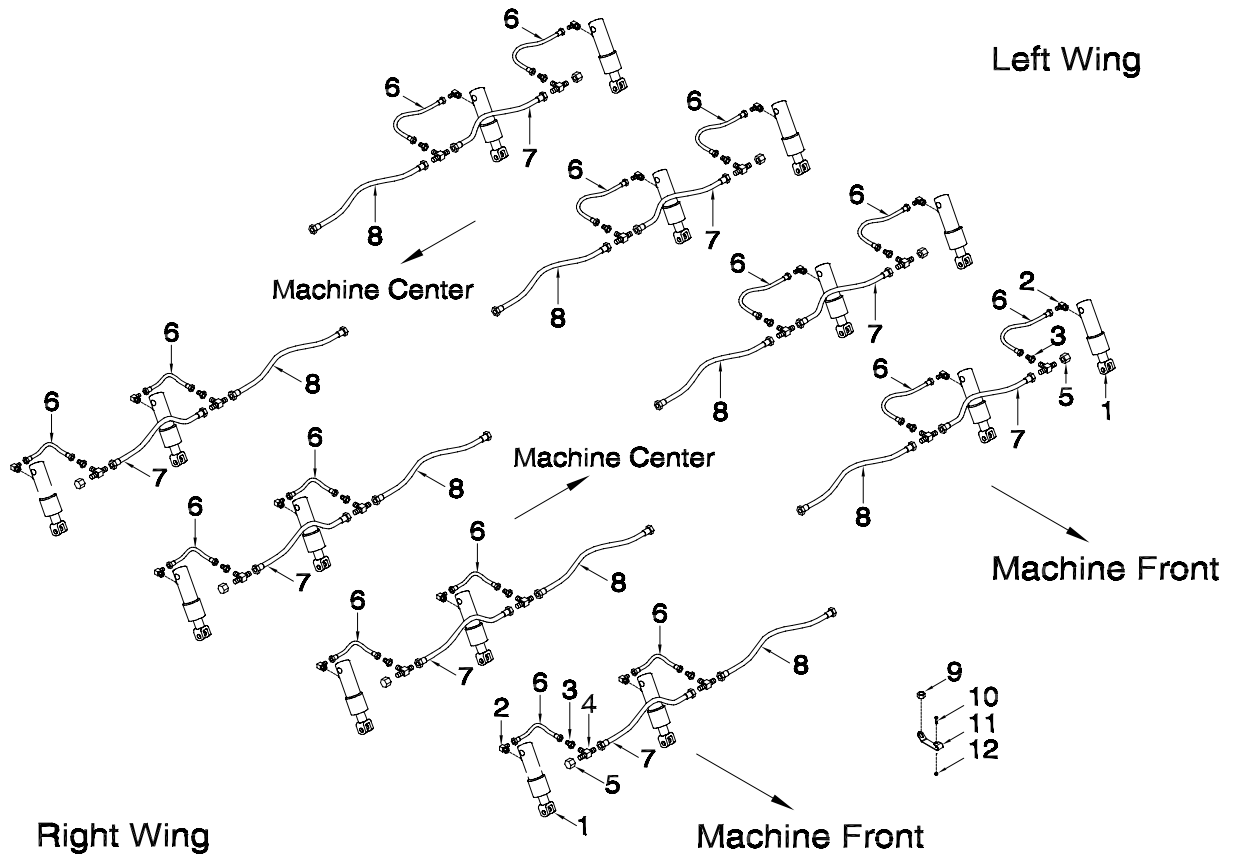
Item	Part No.	Description	Qty
1	C40081	Cylinder	20
2	N16143	90 Elbow - 9/16-18 MJIC x 9/16-18 MORB	20
3	F10384	Reducer - 7/8-14 MJIC x 9/16-18 MJIC	20
4	C-4394	Tee - (3) 7/8-14 MJIC	20
5	C-4552	Hyd Hose - 1/4 x 24 LG w/9/16-18 MJIC	20
6	K-5685	Hyd Hose - 1/2 x 48 Lg w/7/8-14 FJIC	12
7	F-4565	Hyd Hose - 1/2 x 60 Lg w/7/8-14 FJIC	8
8	W-575	Hex Jam Nut - 3/4	20
9	W-470	Hex Bolt - 1/4 x 1 1/4 Lg	20
10	S42303	Hose Holder - Trip Mounted	20
11	N22778	Locknut - 1/4 Nylon Insert	20

Trip Assembly 50 ft Outer Wing Hydraulics - 10 Spacing



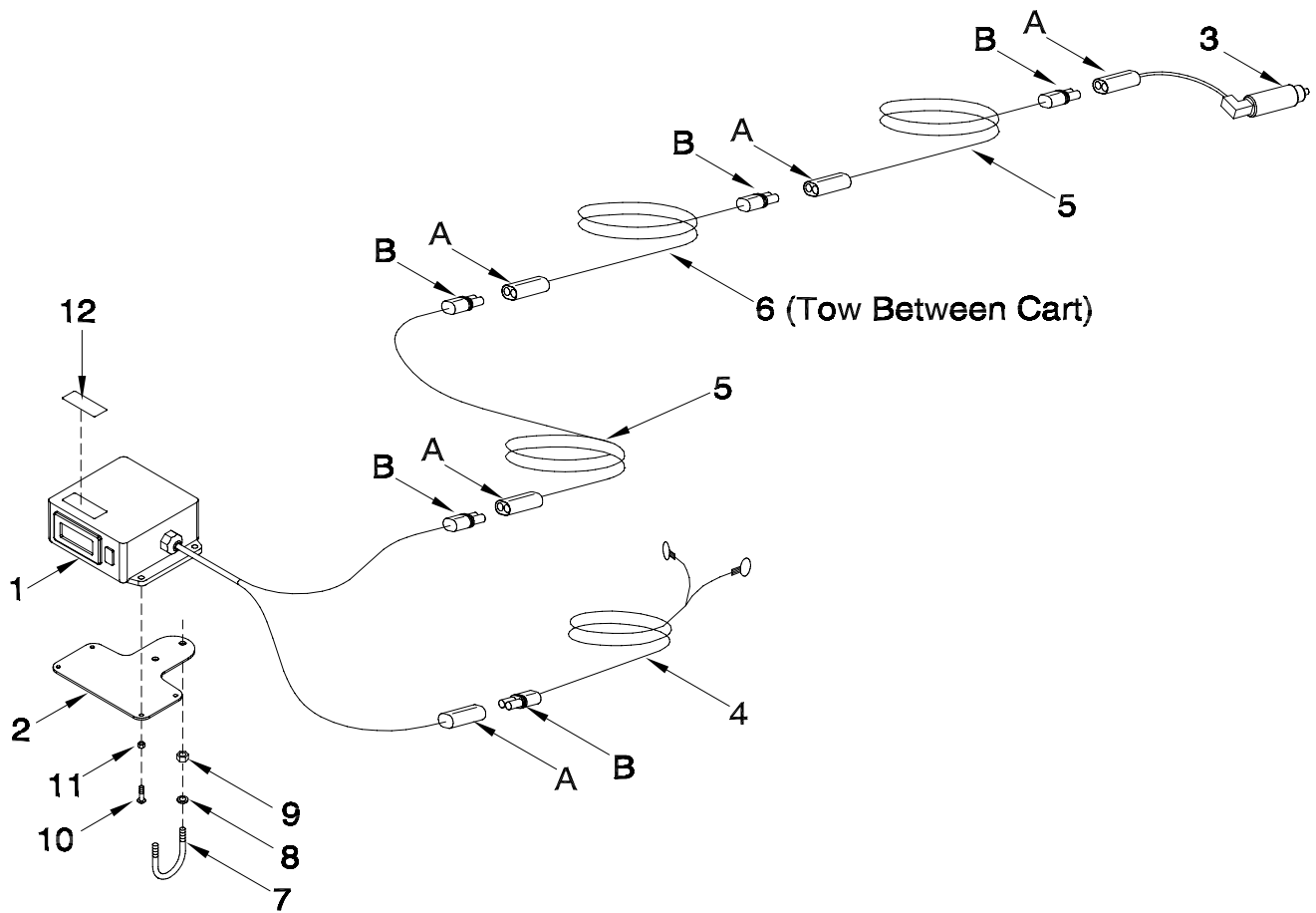
Item	Part No.	Description	Qty
1	C40081	Cylinder	16
2	N16143	90 Elbow - 9/16-18 MJIC x 9/16-18 MORB	16
3	F10384	Reducer - 7/8-14 MJIC x 9/16-18 MJIC	16
4	C-4394	Tee - (3) 7/8-14 MJIC	16
5	C42310	Plug - 7/8-14 FJIC	8
6	C-4552	Hyd Hose - 1/4 x 24 LG w/9/16-18 MJIC	16
7	C-4404	Hyd Hose - 1/2 x 36 Lg w/7/8-14 FJIC	6
8	C26344	Hyd Hose - 1/2 x 42 Lg w/7/8-14 FJIC	2
9	F-4565	Hyd Hose - 1/2 x 60 Lg w/7/8-14 FJIC	8
10	W-575	Hex Jam Nut - 3/4	16
11	W-470	Hex Bolt - 1/4 x 1 1/4 Lg	16
12	S42303	Hose Holder - Trip Mounted	16
13	N22778	Locknut - 1/4 Nylon Insert	16

Trip Assembly 50 ft Outer Wing Hydraulics - 12 Spacing



Item	Part No.	Description	Qty
1	C40081	Cylinder	16
2	N16143	90 Elbow - 9/16-18 MJIC x 9/16-18 MORB	16
3	F10384	Reducer - 7/8-14 MJIC x 9/16-18 MJIC	16
4	C-4394	Tee - (3) 7/8-14 MJIC	16
5	C42310	Plug - 7/8-14 FJIC	8
6	C-4552	Hyd Hose - 1/4 x 24 LG w/9/16-18 MJIC	16
7	K-5685	Hyd Hose - 1/2 x 48 Lg w/7/8-14 FJIC	8
8	F-4565	Hyd Hose - 1/2 x 60 Lg w/7/8-14 FJIC	8
9	W-575	Hex Jam Nut - 3/4	16
10	W-470	Hex Bolt - 1/4 x 1 1/4 Lg	16
11	S42303	Hose Holder - Trip Mounted	16
12	N22778	Locknut - 1/4 Nylon Insert	16

Opener Hydraulics Digital Gauge



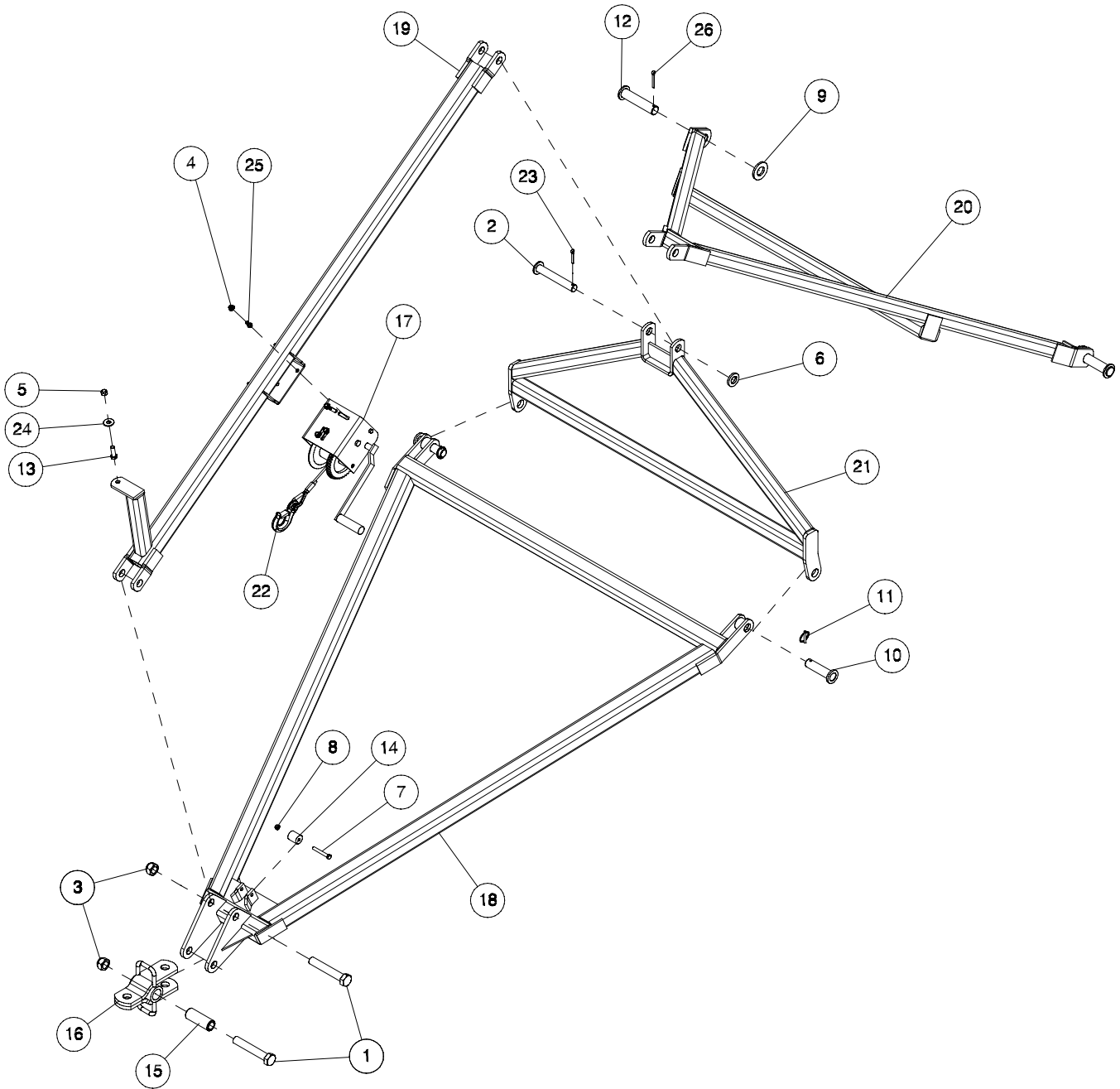
Item	Part No.	Description	Qty
1	S42999	Digital Gauge (Includes item 12)	1
2	S44350	Mounting Bracket - Digital Gauge	1
3	S42970	Pressure Transducer	1
4	N27609	Power Cable - Monitor	1
5	N37018	Extension Cable - 20 ft Lg	2
6	N37020	Extension Cable - 30 ft Lg (Tow Between Air Cart)	1
7	N34319	U-Bolt - 1/4 x 1 1/2 x 1 3/4 Lg	1
8	W-521	Lockwasher - 1/4	2
9	W-512	Hex Nut - 1/4	2
10	N29486	Machine Screw - #8 x 5/8	4
11	N16564	Locknut - #8 - Serrated	4
12	S44464	Decal - Digital Gauge Identification	1
Replacement Connectors			
A	N29384	Weather Pak Connector - BLACK - 2 Pin Plug	
B	N29385	Weather Pak Connector - BLACK - 2 Pin Socket	

Section 14: Options

Section Contents

NH3 Hitch	14-2
Quad Steer Hitch Assembly	14-4
Main Frame Bump Stop Kit	14-6
Remote Clutch Switch	14-7

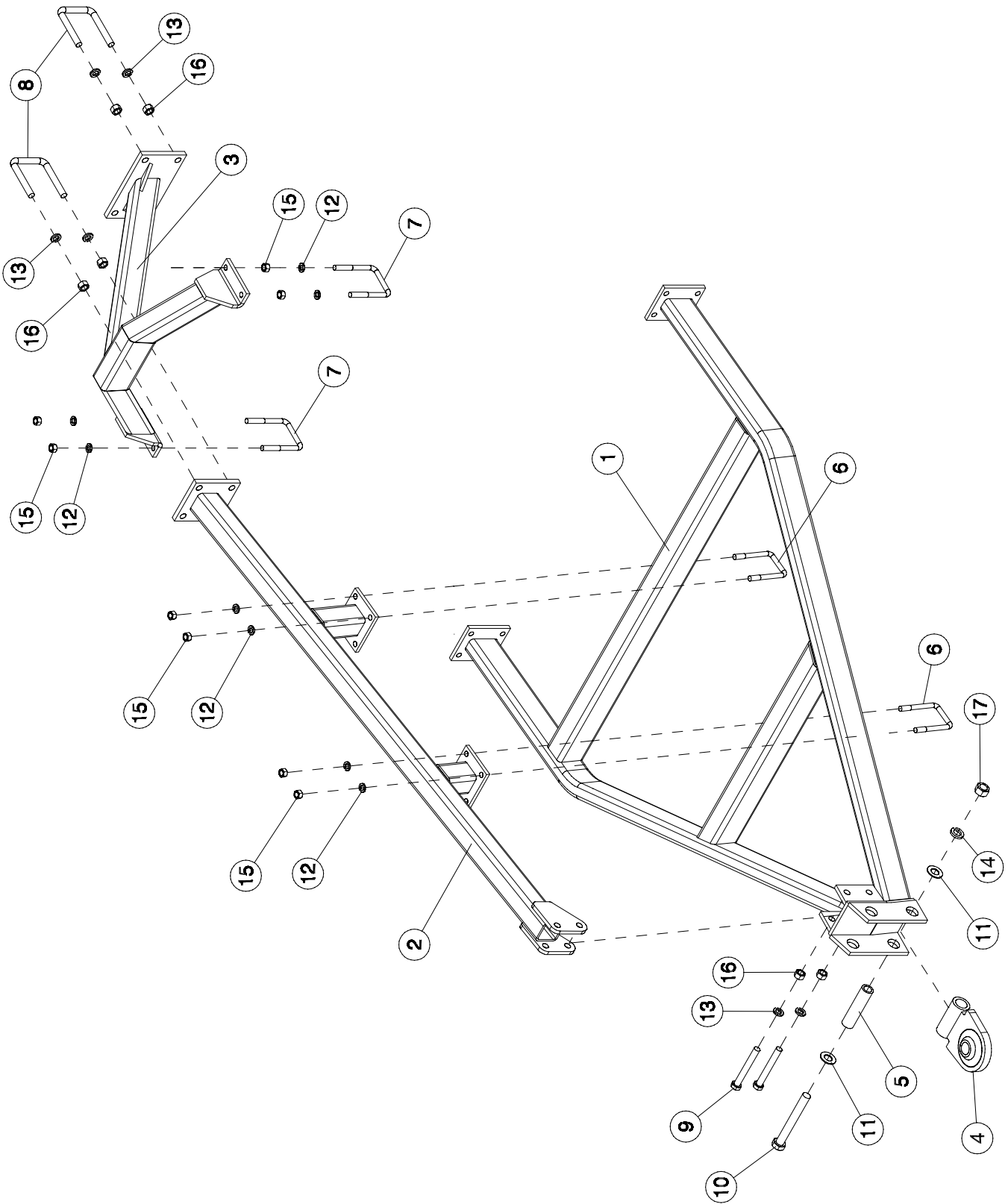
Options NH3 Hitch



Options - NH3 Hitch

Item	Part No.	Description	Qty
1	C-699	Hex Bolt - 1 x 6 Lg	2
2	C26844	Pin - 1 x 6 1/8 UL	1
3	D-5274	Locknut - 1 Unitorque	2
4	D-5279	Locknut - 3/8 Flange	4
5	F-3405	Locknut - 1/2 Unitorque	1
6	F-4490	Washer - 1 1/32 ID x 1 7/8 OD x 1/4 Thick	1
7	H-1790	Hex Bolt - 3/8 x 2 3/4 Lg	1
8	M-3388	Locknut - 3/8 Unitorque	1
9	N13962	Washer - 2 1/2 OD x 1 9/32 ID x 1/4 Thick	2
10	N16226	Hitch Pin - 1 1/8 x 3 11/16 UL	2
11	N19307	Klik Pin - 1/4 x 1 3/4 Lg	2
12	S44393	Pin - 1 1/4 x 5 1/4 UL	2
13	S-776	Hex Bolt - 1/2 x 1 1/2 Lg	1
14	S39520	Roller - 1 1/4 OD x 3/8 ID	1
15	S40309	Bushing - 1 1/2 OD x 1 ID	1
16	S40312	Strap - Clevis	1
17	S40320	Winch - 2300 lb - 2 Spd	1
18	S40325	Hitch A-Frame	1
19	S40330	Brace Tube	1
20	S40335	Control Link	1
21	S40340	Cross Brace	1
22	S40345	Cable & Hook Assembly	1
23	W-535	Cotter Pin - 1/4 x 1 1/2 Lg	1
24	W-539	Flatwasher - 1/2	1
25	W-867	Hex Bolt - 3/8 x 3/4 Lg	4
26	D-5244	Spiral Pin - 1/4 x 2 Lg	2
	N41235	Kit - NH3 Hitch - Max 3 (Order Kit Through Whole Goods)	

Options Quad Steer Hitch Assembly



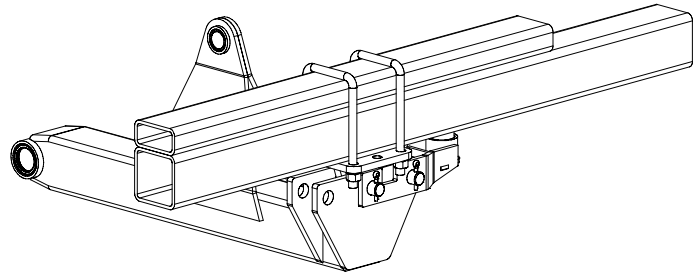
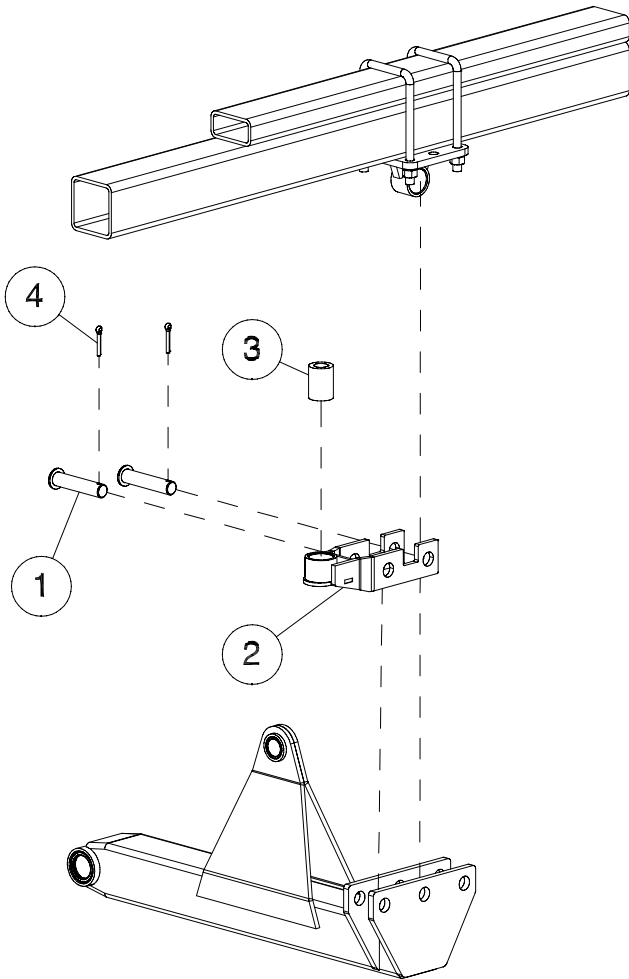
Options - Quad Steer Hitch

Item	Part No.	Description	Qty
1	S44750	Hitch - Quad Steer	1
2	S44755	Rib - Quad Steer Hitch	1
3	S44760	Support - Hitch Rib	1
4	S44385	Clevis - Hitch	1
5	S44370	Bushing - 1.031 ID x 1 1/2 OD x 5 31/32 Lg	1
6	F-4543	U-Bolt - 5/8 x 3 1/16 x 5-3/8	4
7	C-219	U-Bolt - 5/8 x 4 x 5 9/16.....	2
8	C-5561	U-Bolt - 3/4 x 4 x 5 9/16.....	4
9	D-5558	Hex Head Bolt - 3/4 x 6 Lg	2
10	C18597	Hex Head Bolt - 1 x 8 Lg	1
11	D-5498	Flatwasher - 1 1/16 ID x 2 OD x 11GA	2
12	W-526	Lockwasher - 5/8	12
13	W-527	Lockwasher - 3/4	10
14	C-705	Lockwasher - 1	1
15	W-517	Hex Nut - 5/8	12
16	W-518	Hex Nut - 3/4	10
17	W-520	Hex Nut - 1	1

Equalizers Main Frame Bump Stop Kit

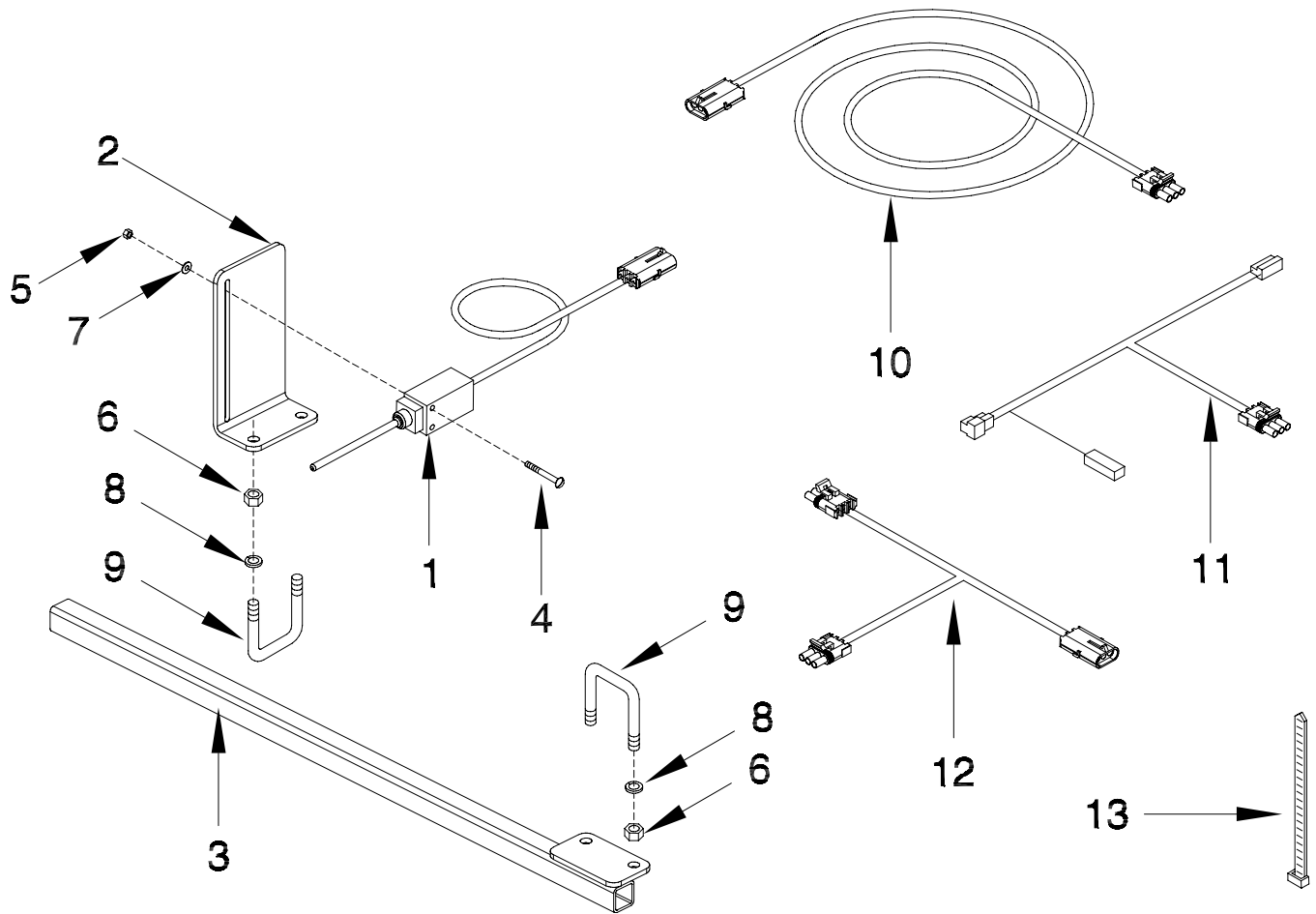
Left Side

Right Side



Item	Part No.	Description	Qty
Quantities listed below are for one side.			
1	D12669	Pin - 1 Dia x 4-1/8 UL	4
2	S40473	Bump Stop	2
3	S40476	Bump Stop Block	2
4	W-535	Cotter Pin - 1/4 x 1-1/2 Lg	4
	S42906	Kit - Packer Bump Stops (Includes Parts for both Left and Right Side)	

Options Remote Clutch Switch



Item	Part No.	Description	Qty
1	N32481	Work Switch & Wire - Weather Pak End	1
2	S39949	Bracket Mount - Work Switch - Maxim III	1
3	S39948	Bracket Actuator - Work Switch - Maxim III	1
4	N32101	Stove Bolt - 3/16 x 1 1/2 Lg	2
5	N32102	Nut - 3/16	2
6	W-514	Hex Bolt - 3/8	4
7	S39549	Flatwasher - 3/16	2
8	W-523	Lockwasher - 3/8	4
9	N15097	U-Bolt - 3/8 x 2 x 5	2
10	N32457	Wire - Clutch Extension (Main) - 37 1/2 ft - Weather Pak Ends	1
11	N32483	Connector - 'Y' Wire - Tow Between ONLY - Weather Pak Ends	1
12	N32482	Connector - 'Y' Wire - Tow Behind ONLY - Weather Pak Ends	1
13	S13336	Tie Strap	6
		Order Kits through Wholegoods Only	
	N41221	Kit Work Switch Maxim III - Tow Between (Includes Above Items except 12)	
	N41220	Kit Work Switch Maxim III - Tow Behind (Includes Above Items except 11)	

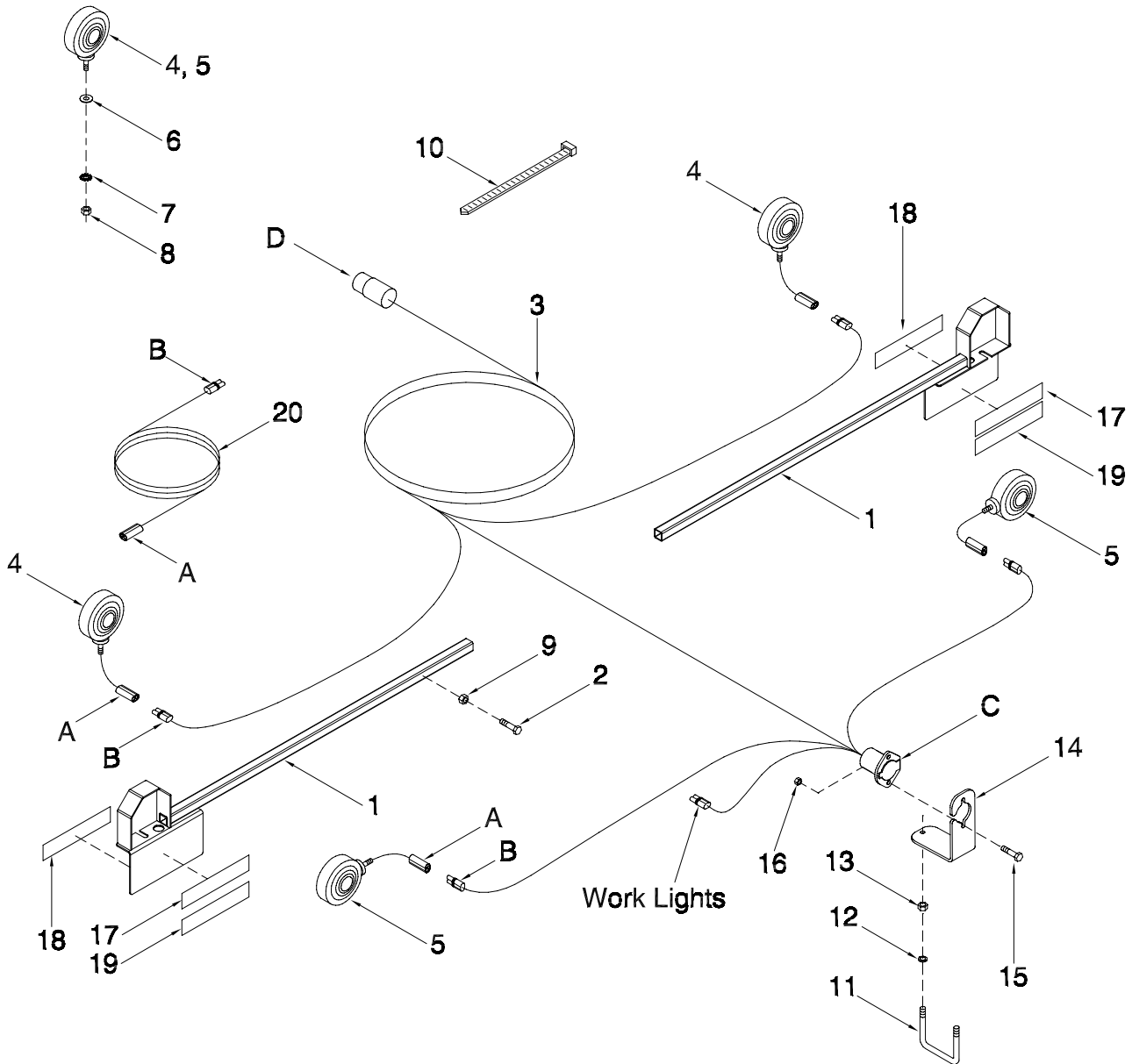
Note

Section 15: Lighting & Decals

Section Contents

Safety Lights	15-2
Decal Locations	15-4
40 ft Model	15-4
50 and 60 ft Models	15-5

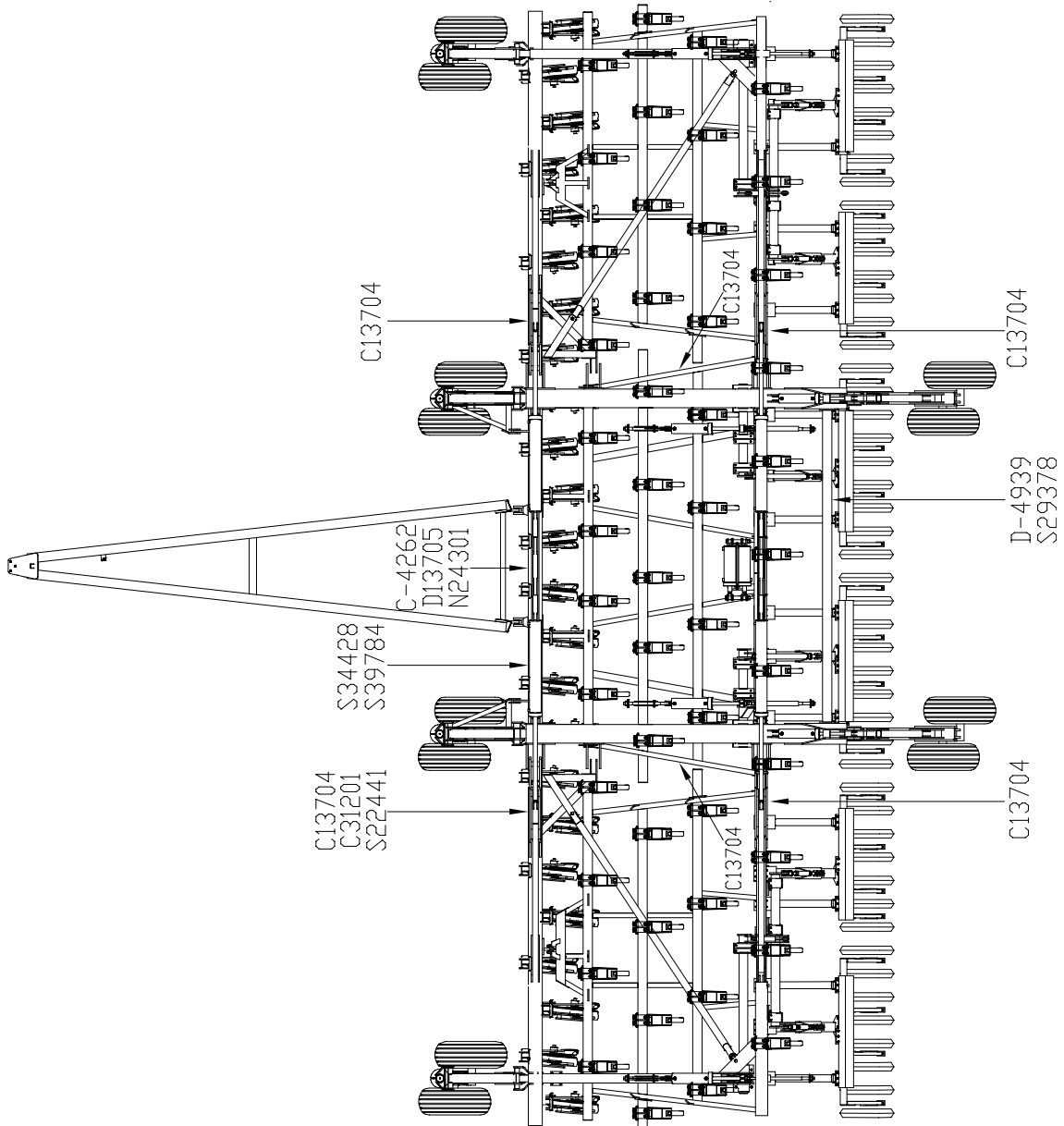
Safety Lights



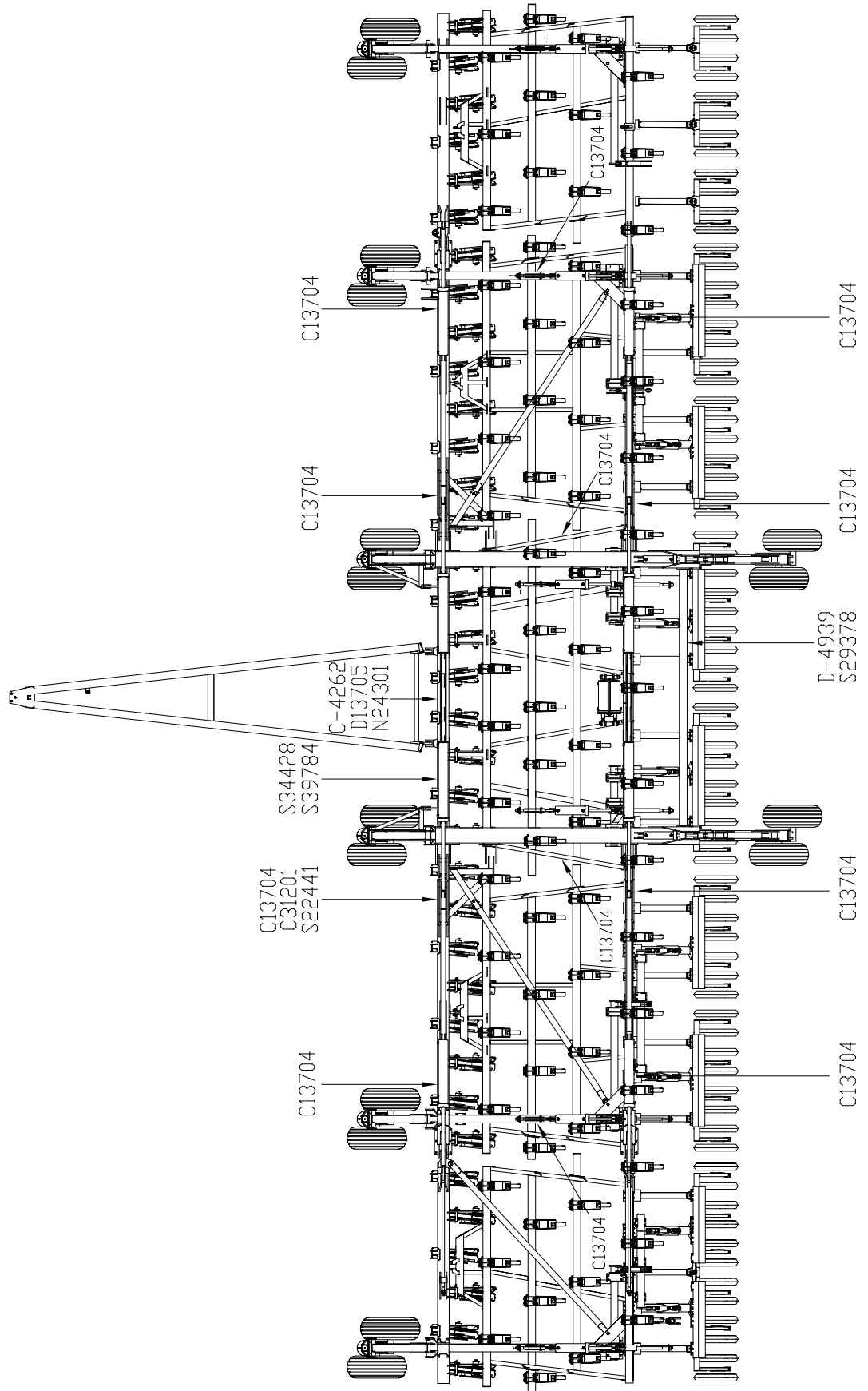
Safety Lights

Item	Part No.	Description	Qty
1	S34464	Tube - Mounting - Main - Lighting	2
2	W-484	Hex Bolt - 1/2 x 1	2
3	S34466	Wiring Harness - Safety Lights	1
4	C32765	Light - Amber	2
5	C32766	Light - Red	2
6	W-539	Flat Washer - 1/2	4
7	D-5280	Star Washer - 1/2	4
8	W-516	Hex Nut - 1/2	4
9	S-1292	Jam Nut - 1/2	2
10	D-4951	Nylon Tie Strap - 7 3/8 lg	10
11	N15098	U-Bolt - 3/8 x 4 x 5	1
12	W-523	Lockwasher - 3/8	8
13	W-514	Hex Nut - 3/8	8
14	N32001	Bracket - Mounting	1
15	N29048	Carriage Head Bolt - 5/16 x 1 lg	2
16	D-5278	Serrated Nut - 5/16	2
17	N34476	Reflector - Red	2
18	N34477	Reflector - Amber	2
19	N34478	Reflector - Orange	2
20	C31439	Wiring Extension - 2 Pin - 10 ft	2
	C32761	Red Acrylic Lens	
	C32762	Amber Acrylic Lens	
	C32515	Bulb - #1156 (Amber Light)	
	C32656	Bulb - #1157 (Red Light)	
A	C32681	Receptacle Connector Assembly - GRAY - 2 Pin	
B	C32682	Plug Connector Assembly - GRAY - 2 Pin	
C	C32686	Connector Assembly - 7 Pin Socket	
	C32684	Interior - Socket - 7 Pin Connector	
	C32685	Protective Boot - Socket - 7 Pin Connector	
D	C32690	Connector Assembly - 7 Pin Plug (Complete with Cable Protector Spring)	
	C32688	Interior - Plug - 7 Pin Connector	
	C32689	Cable Protector Spring - Plug - 7 Pin Connector	
	N34413	Kit Lighting - Never Pin Tool Bar ORDER KIT THROUGH WHOLE GOODS ONLY	

Decal Locations 40 ft Model



Decal Locations 50 and 60 ft Models



Index

B			
BW-11	1-3, 5-11		
C			
C-1463	2-5	7, 13-8, 13-9, 13-10, 13-11, 13-12, 13-13, 13-14, 13-15	C18524 3-5
C-1521	2-5	C-4396 9-3, 9-5, 9-7, 9-9	C18531 1-14
C-1522	2-5, 5-13	C-4401 13-6, 13-7	C18589 9-10
C-1550	9-3, 9-7	C-4404 9-5, 9-9, 10-3, 10-5, 10-7, 13-4, 13-6, 13-7, 13-9, 13-11, 13-13, 13-15	C18597 14-5
C-1823	5-3	C-4438 1-14	C18615 5-3
C-2007	11-2, 11-7	C-4468 9-3, 9-7, 10-9, 10-11, 13-6, 13-7	C18616 5-3, 5-5, 5-7, 5-8, 13-2
C-2008	11-2, 11-7	C-4552 13-6, 13-7, 13-8, 13-9, 13-10, 13-11, 13-12, 13-13, 13-14, 13-15	C18662 3-5
C-2017	11-2, 11-7	C-4569 1-16	C18757 1-14
C-2021	11-2	C-4698 9-3, 9-5, 9-7, 9-9, 10-3, 10-5, 10-7, 10-9, 10-11	C18758 1-14
C-2023	11-2, 11-6, 11-7	C-507 1-3	C18761 1-14
C-2025	11-2	C-508 6-6, 6-9	C18779 9-5, 9-9, 10-3, 10-5, 10-7, 10-9, 10-11
C-2026	11-2, 11-7	C-5561 1-3, 1-9, 1-11, 1-13, 7-4, 7-6, 7-8, 7-10, 7-12, 7-16, 14-5	C18781 3-3
C-2027	11-2	C-5831 1-14	C18782 3-5
C-2028	11-7	C-695 1-3, 4-3, 4-5, 4-7, 4-9	C18863 5-3, 5-5, 5-7
C-2029	11-7	C-699 14-3	C18880 5-3, 5-5, 5-7
C-2030	11-2, 11-6, 11-7	C-705 14-5	C18985 5-3, 5-5, 5-7, 5-8, 13-2
C-2031	11-2	C12836 11-6, 11-9	C19978 5-3
C-2032	11-2	C12843 11-6	C20449 11-7
C-2035	11-2	C12849 11-6, 11-9	C24409 5-3, 5-5, 5-7
C-2037	11-7	C13282 11-3, 11-6, 11-9	C24410 5-3
C-2044	11-2	C13447 1-3, 1-7, 3-3, 3-5	C24468 5-3, 5-5
C-2071	11-3	C13763 11-3, 11-6, 11-9	C24585 4-10, 4-13, 9-3, 9-7, 10-3, 10-5, 10-7, 10-9, 10-11, 13-4
C-2072	11-3	C14411 9-3, 9-5, 9-7, 9-9	C24979 5-3, 5-5, 5-7, 5-8, 13-2
C-2135	11-6, 11-9	C14835 10-9, 10-11	C25648 5-3, 5-5, 5-7
C-2136	11-6, 11-9	C14840 9-3, 9-7, 10-3, 10-5, 10-7, 10-9, 10-11, 13-4	C26082 2-3, 2-5
C-2150	11-6	C15348 10-3, 10-5, 10-7, 10-9, 10-11	C26085 2-3, 2-5
C-2153	11-6	C15385 11-7	C26086 2-3, 2-5, 3-3, 7-16
C-2154	11-6, 11-9	C15386 11-6, 11-7	C26190 11-6
C-2155	11-3, 11-6, 11-9	C15387 11-6, 11-9	C26266 2-3, 2-5, 3-3, 7-16
C-2163	11-3	C15412 11-7	C26321 1-14
C-2164	11-3, 11-6, 11-9	C15768 1-3, 1-17, 4-7, 4-9, 7-14	C26333 9-3, 9-7, 10-3, 10-5, 10-7, 10-9, 10-11
C-2187	11-2, 11-7	C16611 2-5	C26336 9-3, 9-7, 10-3, 10-5, 10-7, 10-9, 10-11
C-219	1-3, 1-9, 1-11, 1-13, 6-2, 6-4, 6-6, 6-8, 6-9, 6-10, 6-11, 7-4, 7-6, 8-18, 9-10, 12-5, 12-9, 14-5	C16637 11-7	C26337 9-3, 10-3, 10-5, 10-7, 10-9, 10-11, 13-4
C-2214	11-7	C17319 2-5	C26339 10-3, 10-5, 10-7, 10-9, 10-11
C-2215	11-2, 11-3, 11-6, 11-7, 11-9	C17348 2-3, 2-5	C26340 10-11
C-3258	2-5, 5-13	C17355 2-3	C26343 10-9, 10-11
C-333	5-14	C17377 5-3, 5-5	C26344 13-6, 13-7, 13-9, 13-11, 13-13, 13-15
C-3525	5-13	C17394 5-3, 5-5, 5-7, 5-8, 13-2	C26345 9-7
C-3918	9-3, 9-5, 9-7, 9-9, 10-3, 10-5, 10-7, 10-9, 10-11	C18510 3-5, 5-13	C26347 10-11
C-4262	13-4		C26438 10-3, 10-5, 10-7, 10-9
C-4383	10-3, 10-9, 10-11, 13-4		C26506 5-5, 5-7, 5-8, 13-2
C-4393	10-9, 10-11		C26529 5-3, 5-5, 5-7, 5-8, 13-2
C-4394	10-3, 10-5, 10-7, 10-9, 10-11, 13-6, 13-7, 13-8, 13-9, 13-10, 13-11, 13-12, 13-13, 13-14, 13-15		C26617 1-9, 1-11, 1-13
			C26717 3-3, 4-15
			C26820 1-3, 1-7
			C26840 2-3
			C26844 1-11, 4-7, 4-9, 14-3
			C26873 7-16
			C26876 10-3, 10-5, 10-7, 10-9, 10-11
			C26988 11-3
			C28501 1-7, 9-3, 9-7, 11-10
			C28505 9-3, 9-7, 11-10
			C28890 11-10
			C28891 11-10
			C28892 11-10
			C28893 11-10
			C28894 11-10
			C29191 5-3
			C29193 5-3
			C29565 9-7
			C31439 15-3
			C32390 5-5, 5-7
			C32515 15-3
			C32656 15-3
			C32681 15-3
			C32682 15-3
			C32684 15-3
			C32685 15-3
			C32686 15-3
			C32688 15-3
			C32689 15-3
			C32690 15-3
			C32761 15-3
			C32762 15-3
			C32765 15-3
			C32766 15-3
			C32925 5-8, 13-2
			C33727 5-3, 5-5, 5-7
			C33879 3-5, 9-3, 9-5, 9-7
			C33996 11-3
			C34426 5-7
			C34441 11-6
			C34442 4-7, 4-9, 4-13, 10-9, 10-11, 11-6
			C34555 5-5, 5-7
			C34559 5-7
			C34561 5-5, 5-7, 5-8, 13-2
			C34562 5-5, 5-7, 5-8, 13-2
			C34592 11-4, 11-8, 11-11
			C34596 11-4, 11-8, 11-11
			C34598 11-4, 11-8, 11-11
			C34599 11-4, 11-8, 11-11
			C36064 11-6
			C39027 11-9
			C39029 11-9
			C39030 4-9, 10-3, 10-

5, 10-7, 10-9, 10-11, 11-9	11, 11-6	D-5277 12-3, 12-5, 12-7, 12-9	H-4410 9-3, 9-7
C39031 11-9	C39961 10-7, 10-9, 10-11, 11-6	D-5278 5-11, 15-3	H-4584 5-11
C39170 11-7	C39962 11-6	D-5279 12-3, 12-5, 12-7, 12-9, 14-3	H18266 10-9, 10-11
C39171 11-7	C39963 11-6	D-5280 15-3	H18267 10-9, 10-11
C39172 11-7	C40081 5-8, 13-2, 13-6, 13-7, 13-8, 13-9, 13-10, 13-11, 13-12, 13-13, 13-14, 13-15	D-5498 14-5	H18746 9-3, 9-7, 10-3, 10-5, 10-7, 10-9, 10-11, 13-4, 13-6, 13-7
C39175 10-3, 10-5, 11-7	C40380 3-3, 9-5, 11-3	D-5499 8-3, 8-5, 8-7, 8-9, 8-11, 8-13, 8-15, 9-10	J
C39432 1-14, 9-10	C40382 11-3	D-5519 1-14	J12281 1-9, 1-11, 1-13, 1-14
C39445 1-3	C40385 11-3	D-5558 1-11, 1-13, 14-5	K
C39490 4-5, 4-7, 4-9, 10-9, 10-11, 11-11	C40386 11-3	D-5579 12-3, 12-5, 12-7, 12-9	K-3830 1-3, 12-3, 12-5, 12-7, 12-9
C39495 9-3, 9-7, 9-10, 11-4	C40387 11-3	D-5744 8-13, 8-15	K-5685 13-4, 13-6, 13-7, 13-8, 13-10, 13-12, 13-14
C39564 4-7, 4-9, 10-9, 10-11, 11-8	C40388 11-3	D10440 8-5	K-5806 9-3, 9-7, 10-3, 10-5, 10-7, 10-9, 10-11, 13-4
C39577 3-5, 9-3, 9-7, 11-4	C40389 11-3	D10441 8-5	M
C39578 9-7, 11-4	C40390 3-3, 11-3	D10442 8-5	M-3388 9-3, 9-5, 9-7, 9-9, 10-3, 10-5, 10-7, 10-9, 10-11, 14-3
C39875 5-7	C40392 11-3	D11174 8-3, 8-5, 8-7, 8-9, 8-11, 8-13, 8-15	N
C39879 5-5	C40393 11-3	D12669 14-6	N11621 1-9, 1-11, 1-13
C39880 5-5	C40394 11-3	D12823 8-5	N11905 12-3, 12-5, 12-7, 12-9
C39892 11-8, 11-11	C40395 11-3	D12824 8-5	N13962 2-3, 4-3, 4-5, 4-7, 4-9, 4-10, 4-13, 14-3
C39893 11-4	C40396 11-3	D13580 8-9, 8-11, 8-13, 8-15	N15096 12-3, 12-5, 12-7, 12-9
C39894 11-4	C40397 11-3	D13581 8-13, 8-15	N15097 9-5, 9-9, 10-3, 10-5, 10-7, 10-9, 10-11, 12-3, 12-5, 12-7, 12-9, 13-4, 14-6
C39895 11-4	C40399 11-3	D13584 8-5	N15098 12-3, 12-5, 12-7, 12-9, 15-3
C39896 11-4	C42310 13-8, 13-9, 13-10, 13-11, 13-14, 13-15	D13585 8-9, 8-11	N15102 12-3, 12-5, 12-7, 12-9
C39897 11-4	C42311 13-4	D13586 8-9, 8-11	N15107 12-3, 12-5, 12-7, 12-9
C39898 11-4	C42312 13-4	D14565 5-3	N15135 12-3, 12-5, 12-7, 12-9, 12-10
C39899 11-4	C42313 13-4	D17585 10-3, 10-5, 10-7, 10-9, 10-11	N15594 12-3, 12-5, 12-7, 12-9
C39900 11-4, 11-8, 11-11	C42314 13-4	D17845 10-11	N15595 12-3, 12-5, 12-7, 12-9
C39901 11-4	C42846 11-3	D18568 8-3, 8-7, 8-9, 8-11	N16143 10-3, 10-5, 10-7, 10-9, 10-11, 13-6, 13-7, 13-8, 13-9, 13-10, 13-11, 13-12, 13-13, 13-14, 13-15
C39902 11-4	C42939 3-5	D18569 8-3, 8-7, 8-9, 8-11	N16226 14-3
C39903 11-4	C43528 5-8	F	N16257 9-3, 9-5, 9-7, 9-9
C39904 11-4, 11-8, 11-11	D	F-1767 5-3, 5-5, 5-7, 5-8, 13-2	
C39905 11-4	D-4838 9-3, 9-5, 9-7, 9-9	F-3405 1-14, 2-3, 2-5, 5-11, 14-3	
C39906 11-8, 11-11	D-4932 13-4	F-4490 14-3	
C39907 11-4	D-4935 8-13, 8-15	F-4543 1-9, 1-11, 1-13, 14-5	
C39908 11-4	D-4938 8-3, 8-5, 8-7, 8-9, 8-11, 8-13, 8-15	F-4565 9-3, 9-7, 13-6, 13-8, 13-9, 13-10, 13-11, 13-12, 13-13, 13-14, 13-15	
C39909 11-4	D-4951 9-3, 9-5, 9-7, 9-9, 15-3	F10384 13-4, 13-6, 13-7, 13-8, 13-9, 13-10, 13-11, 13-12, 13-13, 13-14, 13-15	
C39910 11-11	D-5022 8-3, 8-5, 8-7, 8-9, 8-11, 8-13, 8-15	F14658 10-9, 10-11	
C39911 11-8	D-5054 4-10, 4-13, 4-15	F18986 8-9, 8-11	
C39912 11-4	D-5235 4-13	F24559 13-4	
C39913 11-4, 11-8, 11-11	D-5239 2-3	H	
C39914 11-4	D-5244 3-3, 3-5, 6-2, 6-4, 6-6, 6-7, 6-8, 6-9, 6-10, 6-11, 7-4, 7-6, 7-8, 7-10, 7-12, 14-3	H-1790 14-3	
C39915 11-4	D-5249 9-5, 9-9	H-4408 9-3, 9-7, 10-3, 10-5, 10-7, 10-9, 10-11	
C39916 11-4, 11-8, 11-11	D-5256 1-14, 5-11		
C39917 11-4	D-5259 5-11		
C39918 11-4	D-5265 8-3, 8-5, 8-7, 8-9, 8-11, 8-13, 8-15		
C39919 11-11	D-5272 5-3, 5-5, 5-7		
C39920 11-8	D-5273 1-14, 5-11, 8-18		
C39921 11-4	D-5274 3-5, 14-3		
C39922 11-4			
C39923 11-4			
C39924 11-4			
C39931 11-6, 11-7			
C39932 10-5, 11-7			
C39933 11-7			
C39958 11-6			
C39959 11-6			
C39960 10-7, 10-9, 10-			

N16504 12-7, 12-9	N31171 12-10	N37020 13-16	S-711 1-3
N16507 12-7, 12-9	N31172 12-10	N37630 12-3, 12-5, 12-7, 12-9	S-748 5-11
N16564 13-16	N31173 12-10	N39840 12-3, 12-7	S-752 2-5, 3-3, 3-5, 5-13, 5-14
N16689 12-7, 12-9	N31174 12-10	N39876 12-3, 12-5, 12-7, 12-9	S-776 1-3, 14-3
N19167 2-3	N31177 12-10	N39877 12-3, 12-5, 12-7, 12-9	S13336 9-3, 9-5, 9-7, 9-9, 13-4, 14-6
N19168 2-3	N31178 12-10	N40544 12-3, 12-5, 12-7, 12-9	S22191 11-7
N19169 2-3	N31179 12-10	N40545 12-10	S22203 8-3, 8-5, 8-7
N19170 2-3	N31180 12-10	N40703 12-3, 12-5, 12-7, 12-9	S22210 8-3, 8-5, 8-7
N19171 2-3	N31187 12-3, 12-5, 12-7, 12-9, 12-10	N40704 12-3, 12-5, 12-7, 12-9	S22213 8-3, 8-5, 8-7
N19172 2-3	N31188 12-3, 12-5, 12-7, 12-9, 12-10	N40708 12-3, 12-5, 12-7, 12-9	S22217 4-7, 4-9
N19173 2-3	N31189 12-3, 12-5, 12-7, 12-9, 12-10	N40709 12-3, 12-5, 12-7, 12-9	S22389 8-3, 8-5, 8-7
N19203 1-3	N31190 12-3, 12-5, 12-7, 12-9, 12-10	N40715 12-3, 12-5, 12-7, 12-9	S22390 8-3, 8-5, 8-7
N19307 14-3	N31831 3-5	N40716 12-3, 12-5, 12-7, 12-9	S22391 8-3, 8-5, 8-7, 8-9, 8-11
N19368 1-3, 1-7, 4-10	N31908 10-3, 10-5, 10-7, 10-9, 10-11	N41220 14-6	S22498 8-9, 8-11
N19406 12-3, 12-5, 12-7, 12-9	N32001 15-3	N41221 14-6	S22634 8-9, 8-11
N19409 12-3, 12-7	N32101 14-6	N41235 14-3	S22707 8-9, 8-11
N19428 12-5, 12-9	N32102 14-6	N42274 12-3, 12-5, 12-7, 12-9, 12-10	S22708 8-9, 8-11
N19448 12-3, 12-7	N32457 14-6	N42880 4-10, 4-13, 4-15, 10-3, 10-5, 10-7, 10-9, 10-11, 13-4	S22709 8-9, 8-11
N19459 1-3	N32481 14-6	N42881 10-3, 10-5, 10-7, 10-9, 10-11, 13-4	S22716 8-9, 8-11
N19484 2-3, 8-3, 8-5, 8-7, 8-9, 8-11, 8-13, 8-15	N32482 14-6	N44710 1-14	S25988 8-16
N19531 12-3, 12-5, 12-7, 12-9	N32483 14-6	P	S25989 8-16
N19575 12-3, 12-7	N32498 12-5, 12-9	P61D20 1-3, 1-14, 4-7, 4-9, 9-10	S26462 1-13, 1-17, 7-8, 7-10, 7-12
N19586 2-3	N32735 3-3	P65286 5-11	S26750 8-11, 8-15
N19678 9-5, 9-9	N33600 1-14	R	S26752 8-11, 8-15
N19717 12-3, 12-7	N33611 3-5	R480034 12-3, 12-5, 12-7, 12-9	S26753 8-11, 8-15
N19727 2-3	N33612 3-3	R480055 12-3, 12-5, 12-7, 12-9	S26760 8-11, 8-15
N21721 9-7, 10-9, 10-11	N33759 3-5	S	S26781 8-13, 8-15
N22778 1-3, 5-14, 12-3, 12-5, 12-7, 12-9, 13-6, 13-7, 13-8, 13-9, 13-10, 13-11, 13-12, 13-13, 13-14, 13-15	N33762 3-3	S-1175 4-3, 4-7	S26782 8-13, 8-15
N24306 10-9, 10-11	N33766 3-3	S-1189 9-10	S26833 8-16
N24396 12-3, 12-5, 12-7, 12-9	N33771 3-3	S-1191 1-3, 4-3, 4-5, 4-7, 4-9	S26834 8-16
N27589 9-5, 9-9	N33804 3-3	S-1197 5-11, 9-10	S27559 8-7, 8-9, 8-13
N27609 13-16	N33806 3-5	S-1198 4-13	S27560 8-3
N28994 1-9, 1-11, 1-13, 3-3, 4-3, 4-5, 4-7, 4-9	N33810 3-3	S-1292 3-3, 5-3, 15-3	S27567 8-16
N28997 3-3, 3-5	N33814 1-9, 1-11	S-1311 2-5, 5-13	S27568 8-16
N28998 3-3, 4-3, 4-5, 4-7, 4-9, 4-10	N33845 3-3	S-1925 5-11	S27570 8-16
N29048 15-3	N33863 3-3	S-3001 5-11	S27985 5-13
N29358 10-9, 10-11	N34309 9-10	S-531 5-11	S27987 12-3, 12-5, 12-7, 12-9
N29384 13-16	N34319 4-10, 4-13, 4-15, 10-3, 10-5, 10-7, 10-9, 10-11, 13-4, 13-16		S29958 9-3, 9-5, 9-7, 9-9
N29385 13-16	N34366 13-4		S29959 9-3, 9-5, 9-7, 9-9
N29486 13-16	N34413 15-3		S29960 10-3, 10-5, 10-7, 10-9, 10-11
N31012 12-10	N34443 9-3, 9-5, 9-7, 9-9, 10-3, 10-5, 10-7, 10-9, 10-11, 13-4		S29961 10-3, 10-5, 10-7, 10-9, 10-11
N31014 12-10	N34475 1-3		S29965 8-16
N31016 12-10	N34476 15-3		S29966 8-16
N31160 12-10	N34477 15-3		S29967 10-3, 10-5, 10-7, 10-9, 10-11
N31161 12-10	N34478 15-3		S29970 8-16
N31162 12-10	N34494 13-4		S30304 8-16
N31163 12-10	N34643 1-3		S30305 8-16
N31165 12-10	N36972 12-10		S31400 5-3, 5-5, 5-7, 5-8, 13-2
	N37018 13-16		S31446 5-11

S31484 5-14	S34189 5-11	S39140 1-3, 1-9, 1-11, 1-13, 6-2, 6-4, 6-6, 6-8, 6-9, 6-10, 6-11	S39356 4-7, 4-9, 4-13
S31921 5-14	S34191 5-11	S39150 8-18	S39358 1-13
S31930 5-11	S34192 5-11	S39151 1-3, 1-7	S39360 1-3, 1-9, 1-11, 1-13, 6-2, 6-4, 6-6, 6-8, 6-9, 6-10, 6-11
S31935 5-14	S34199 5-11	S39152 3-5	S39361 1-9, 1-11
S31943 5-11	S34464 15-3	S39154 3-5	S39363 3-3
S32100 5-3, 5-5, 5-7, 5-8, 13-2	S34466 15-3	S39157 7-4, 7-6, 7-8, 7-10, 7-12	S39365 1-3, 1-9, 1-11, 1-13, 3-3, 3-5
S32115 5-11	S34522 5-14	S39158 7-4, 7-6, 7-8, 7-10, 7-12	S39366 3-5
S32265 5-11	S34523 5-14	S39165 7-4, 7-6, 7-8, 7-10, 7-12, 7-16	S39370 4-15
S32298 8-7, 8-9, 8-13	S34524 5-11	S39169 1-3	S39380 4-10, 4-13, 4-15
S32299 8-7, 8-9, 8-13	S34528 5-11	S39180 4-3	S39382 8-3, 8-5, 8-7
S32300 8-7, 8-9, 8-13	S34529 5-11	S39185 1-13	S39384 6-8
S32356 5-11	S34530 5-11	S39190 1-13	S39385 8-3, 8-5, 8-7
S32540 2-5, 7-16	S34533 5-13	S39207 1-9, 1-11, 3-5	S39390 7-8, 7-10, 7-12, 7-16
S32545 2-5	S34544 5-13	S39222 1-3, 3-3	S39391 1-14
S32556 2-3	S34545 5-11	S39223 1-3, 3-3	S39393 7-4, 7-10
S32590 8-18	S34653 5-14	S39224 1-9, 1-11, 3-5	S39400 1-9
S32745 5-11	S34772 5-14	S39225 6-2, 6-11	S39402 1-9
S32751 5-11	S34773 5-14	S39226 6-2, 6-8	S39407 1-9
S32909 5-13	S34780 5-14	S39230 6-2, 6-4, 6-6, 6-8, 6-9, 6-10, 6-11	S39408 1-9
S32912 5-11	S34781 5-14	S39231 6-2, 6-4, 6-6, 6-8, 6-9, 6-10, 6-11	S39409 3-3, 3-5
S32915 5-11	S34785 5-14	S39237 3-3	S39416 3-5
S32950 5-11	S34786 5-14	S39238 3-3	S39417 3-5
S32951 5-11	S35078 5-3	S39239 3-3	S39427 3-3
S32971 5-13	S35079 5-3	S39246 3-3	S39428 3-5
S32978 5-11	S37507 5-11	S39265 4-15	S39440 2-5
S32985 5-11	S37508 5-11	S39268 8-18	S39443 1-11, 4-7, 4-9
S32987 5-11	S38678 5-14	S39269 6-6, 8-18	S39447 1-3, 4-7, 4-9
S32988 5-11	S38679 5-14	S39275 1-3, 1-9, 1-11, 1-13, 3-3, 3-5, 6-2, 6-4, 6-6, 6-8, 6-9, 6-10, 6-11	S39480 8-3, 8-5, 8-7
S32998 5-11	S39000 1-3	S39276 4-7, 4-9	S39481 9-10
S33100 5-11	S39018 4-3, 4-7	S39280 1-9, 1-11	S39485 8-3, 8-5, 8-7
S33101 5-11	S39019 4-3, 4-7	S39300 3-3	S39488 9-10
S33106 5-13	S39020 1-9, 1-11	S39303 6-6, 6-11	S39500 8-7, 8-9, 8-13
S33112 5-13	S39033 1-3	S39304 1-13, 3-5	S39504 9-7, 10-3, 10-5, 10-7, 10-9, 10-11
S33112 5-13	S39038 6-6, 6-9, 8-18	S39309 3-3	S39506 10-3, 10-5, 10-7, 10-9
S33127 5-11	S39042 8-18	S39316 1-3	S39520 1-3, 1-7, 14-3
S33129 5-13	S39050 7-4, 7-6, 7-8, 7-10, 7-12	S39319 4-7, 4-9	S39523 9-3, 9-7
S33134 5-13	S39055 1-9, 1-11, 1-13	S39320 4-7, 4-9	S39524 9-7, 10-9, 10-11
S33138 5-13	S39056 1-9, 1-11, 1-13	S39331 1-3, 9-10	S39527 8-7, 8-9, 8-13
S33139 5-13	S39060 8-9, 8-11	S39335 1-9, 1-11, 1-13, 6-2, 6-4, 6-6, 6-8, 6-9, 6-10, 6-11, 7-4, 7-6	S39530 8-7, 8-9, 8-11, 8-13, 8-15
S33140 5-11	S39062 8-3, 8-5, 8-7, 8-9, 8-11, 8-13, 8-15	S39336 12-5, 12-9	S39531 8-5
S33141 5-11	S39063 1-16	S39340 12-5, 12-9	S39533 1-9, 1-11, 1-13
S33142 5-11	S39064 8-3, 8-5, 8-7	S39341 12-5, 12-9	S39535 8-3
S33145 5-11	S39066 8-13, 8-15	S39343 12-5, 12-9	S39536 7-4, 7-6, 7-8, 7-10, 7-12
S33146 5-11	S39075 1-9, 1-11, 1-13	S39344 12-5, 12-9	S39539 10-9, 10-11
S33147 5-11	S39081 4-15	S39350 1-3	S39543 3-3, 4-7, 4-9, 4-15
S33340 5-11	S39083 3-5	S39355 6-2, 6-4, 6-6, 6-8, 6-9, 6-10, 6-11	S39546 9-5, 9-9, 10-3, 10-5, 10-7, 10-9, 10-11, 13-4
S33341 5-11	S39086 1-3, 1-7, 3-5		S39548 4-10, 4-13, 4-15
S33342 5-11	S39100 5-11		S39549 4-10, 4-13, 4-15, 14-6
S33344 5-11	S39121 8-3, 8-5, 8-7		
S33349 5-14	S39124 7-14		
S33470 5-13	S39125 7-8, 7-10, 7-12		
S33543 5-11	S39128 7-14		
S33599 5-11	S39130 7-4, 7-6		
S33693 5-11	S39132 1-17, 7-14		
S33786 5-11	S39135 1-3, 1-9, 1-11, 1-13, 3-3, 3-5		
S34183 5-11			
S34184 5-11			
S34186 5-11			
S34187 5-11			

S39551 5-11	S39785 8-9, 8-11	8, 13-9, 13-10, 13-11, 13-12, 13-13, 13-14, 13-15	S47101 3-3
S39552 5-11	S39787 8-9, 8-11		S47106 1-11
S39558 5-14	S39791 8-13, 8-15	S42304 5-11	S47117 1-11
S39559 5-14	S39793 8-13, 8-15	S42307 13-4	S47119 1-11, 1-13
S39560 5-14	S39795 8-13, 8-15	S42316 13-4	S47129 1-11
S39562 4-7, 4-9	S39800 8-11, 8-15	S42320 13-4	S47130 1-11
S39565 10-9, 10-11	S39801 8-11, 8-15	S42324 13-4	S47131 1-11
S39567 4-7, 4-9	S39803 6-4, 6-10	S42326 13-4	S47132 1-11
S39568 4-7, 4-9	S39805 6-10	S42327 13-4	S47133 1-13
S39570 4-7, 4-9	S39813 8-3, 8-5, 8-7	S42355 5-11	S47134 1-13
S39596 1-11	S39827 8-3, 8-5, 8-7	S42496 5-8, 13-2	S47135 1-13
S39597 1-11	S39831 3-3	S42498 5-8, 13-2	S47136 1-13
S39598 1-13	S39833 6-9	S42499 5-8, 13-2	S47501 8-11, 8-15
S39599 1-13	S39843 12-3, 12-5, 12-7, 12-9	S42783 6-2, 6-4, 6-6, 6-7, 6-8, 6-9, 6-10, 6-11	S47508 8-11
S39648 4-3, 4-7	S39844 12-3, 12-5, 12-7, 12-9	S42784 7-4, 7-6, 7-8, 7-10, 7-12	T
S39649 1-3, 7-4, 7-6, 7-8, 7-10, 7-12, 13-4	S39850 6-6	S42785 6-2, 6-4, 6-6, 6-7, 6-8, 6-9, 6-10, 6-11, 7-4, 7-6	T-5245 1-9, 1-11, 2-3, 2-5, 3-3, 3-5, 7-16
S39650 4-10, 4-13	S39851 4-7, 4-9		T-5266 8-3, 8-5, 8-7, 8-9, 8-11, 8-13, 8-15
S39652 4-13	S39858 7-16	S42835 3-5	W
S39658 4-7, 4-9	S39860 1-16	S42837 3-3	W-1383 2-5
S39665 1-14	S39861 6-9	S42883 4-7, 4-9	W-1416 2-5, 5-13
S39666 1-14	S39866 6-6, 6-9	S42906 14-6	W-1474 2-5, 5-13
S39669 1-14	S39878 5-7	S42970 13-4, 13-16	W-1475 2-5
S39677 1-11, 3-5	S39885 12-3, 12-5, 12-7, 12-9	S42998 13-4	W-1537 2-5, 5-13
S39679 3-5	S39926 5-11	S42999 13-16	W-1538 2-5
S39686 1-11, 1-13	S39928 1-3, 4-5	S44020 1-11, 1-17	W-1540 9-5, 9-9, 13-4
S39689 8-3, 8-5, 8-7	S39929 1-3, 4-5, 4-9	S44021 1-9, 1-11	W-1553 1-9, 1-11, 1-13
S39691 1-3	S39930 6-6, 6-9	S44022 1-13	W-1598 1-3
S39694 7-14	S39948 14-6	S44023 1-11	W-1599 1-3
S39695 7-14	S39949 14-6	S44024 1-13	W-4181 1-3, 1-7, 1-9, 1-11, 1-13, 3-3, 3-5, 4-3, 4-5, 4-7, 4-9, 4-10, 4-13, 8-3, 8-5, 8-7, 8-9, 8-11, 8-13, 8-15
S39698 7-14	S39975 8-16	S44270 1-3	W-469 4-10, 4-13, 4-15, 12-3, 12-5, 12-7, 12-9, 12-10
S39699 6-4	S39980 8-16	S44350 13-16	W-470 13-6, 13-7, 13-8, 13-9, 13-10, 13-11, 13-12, 13-13, 13-14, 13-15
S39709 1-16	S39985 4-15	S44370 14-5	W-475 4-15
S39716 6-4	S39987 4-15	S44385 14-5	W-477 4-15
S39723 3-3	S39991 2-3	S44393 14-3	W-480 9-3, 9-7, 10-3, 10-5, 10-7, 10-9, 10-11
S39724 3-3	S39992 8-9, 8-11	S44464 13-16	W-483 5-13
S39728 3-3	S39993 8-9, 8-11	S44474 8-13, 8-15	W-484 15-3
S39743 12-3, 12-5, 12-7, 12-9	S40309 14-3	S44715 1-14	W-485 3-3, 5-14, 12-5, 12-9, 13-4
S39747 12-3, 12-5, 12-7, 12-9	S40312 14-3	S44716 1-14	W-487 5-14
S39752 12-3, 12-5, 12-7, 12-9	S40320 14-3	S44717 1-14	W-489 1-14
S39753 4-7, 4-9	S40325 14-3	S44750 14-5	W-490 1-14, 5-3, 5-5, 5-7, 5-8, 13-2
S39754 1-17, 7-14	S40330 14-3	S44755 14-5	W-493 2-5
S39761 4-3, 4-5, 4-10, 4-13	S40335 14-3	S44760 14-5	W-494 5-14
S39765 4-15	S40340 14-3	S44795 8-16	W-495 2-3
S39767 4-7, 4-9, 4-13	S40345 14-3	S44954 9-5, 9-9	
S39768 1-3	S40473 14-6	S45307 8-9, 8-11	
S39770 7-4, 7-6, 7-16	S40476 14-6	S45310 10-9, 10-11	
S39771 7-4, 7-6, 7-16	S40496 8-13, 8-15	S45720 3-5	
S39773 4-13	S40511 5-14	S46259 8-11, 8-15	
S39774 4-9, 4-13	S41661 5-8, 13-2	S47086 1-13	
S39775 4-13	S42079 5-8, 13-2	S47088 1-13	
S39776 4-13	S42080 5-8, 13-2	S47096 1-11	
S39778 4-10	S42290 13-4	S47097 1-11	
S39780 1-13	S42293 5-8, 13-2	S47098 1-13	
	S42294 5-8, 13-2	S47099 1-13	
	S42303 13-6, 13-7, 13-8, 13-9, 13-10, 13-11, 13-12, 13-13, 13-14, 13-15	S47100 3-3	

W-496 12-3, 12-7	15, 9-10, 12-3, 12-5, 12-7, 12-9, 13-2, 13-4		
W-497 3-3, 3-5			
W-498 1-3, 1-9, 1-11, 1-13, 3-3, 3-5, 6-2, 6-4, 6-6, 6-8, 6-9, 6-10, 6-11, 8-3, 8-5, 8-7, 8-9, 8-11, 8-13, 8-15, 8-16	W-526 1-3, 1-9, 1-11, 1-13, 1-16, 3-3, 3-5, 5-3, 5-5, 5-7, 5-8, 5-11, 6-2, 6-4, 6-6, 6-8, 6-9, 6-10, 6-11, 7-4, 7-6, 7-8, 7-10, 7-12, 8-3, 8-5, 8-7, 8-9, 8-11, 8-13, 8-15, 8-18, 9-10, 12-5, 12-9, 13-2, 13-4, 14-5		
W-499 1-16			
W-500 5-3, 5-5, 5-7, 5-8, 13-2			
W-504 8-9, 8-11			
W-506 5-11	W-527 1-3, 1-9, 1-11, 1-13, 1-14, 4-3, 4-5, 4-7, 4-9, 5-13, 7-4, 7-6, 7-8, 7-10, 7-12, 7-16, 14-5		
W-512 1-3, 4-10, 4-13, 4-15, 9-5, 9-9, 10-3, 10-5, 10-7, 10-9, 10-11, 12-3, 12-5, 12-7, 12-9, 12-10, 13-4, 13-16	W-528 5-11		
W-513 1-3, 1-7	W-529 5-14		
W-514 4-10, 4-13, 4-15, 8-16, 9-3, 9-5, 9-7, 9-9, 10-3, 10-5, 10-7, 10-9, 10-11, 12-3, 12-5, 12-7, 12-9, 13-4, 14-6, 15-3	W-530 5-8, 13-2		
W-515 5-13	W-535 1-3, 1-11, 3-3, 3-5, 4-7, 4-9, 7-4, 7-6, 7-8, 7-10, 7-12, 14-3, 14-6		
W-516 1-3, 5-3, 5-5, 5-7, 5-8, 5-11, 5-14, 8-3, 8-5, 8-7, 8-9, 8-11, 8-13, 8-15, 9-10, 12-3, 12-5, 12-7, 12-9, 13-2, 13-4, 15-3	W-538 9-3, 9-7, 10-3, 10-5, 10-7, 10-9, 10-11		
W-517 1-3, 1-9, 1-11, 1-13, 1-16, 3-3, 3-5, 5-3, 5-5, 5-7, 5-8, 5-11, 6-2, 6-4, 6-6, 6-8, 6-9, 6-10, 6-11, 7-4, 7-6, 7-8, 7-10, 7-12, 8-3, 8-5, 8-7, 8-9, 8-11, 8-13, 8-15, 8-16, 8-18, 9-10, 12-5, 12-9, 13-2, 13-4, 14-5	W-539 14-3, 15-3		
W-518 1-3, 1-9, 1-11, 1-13, 1-14, 4-3, 4-5, 4-7, 4-9, 5-13, 7-4, 7-6, 7-8, 7-10, 7-12, 7-16, 14-5	W-558 1-3, 3-3, 3-5, 4-7, 4-9		
W-520 1-3, 14-5	W-575 13-6, 13-7, 13-8, 13-9, 13-10, 13-11, 13-12, 13-13, 13-14, 13-15		
W-521 4-10, 4-13, 4-15, 9-5, 9-9, 10-3, 10-5, 10-7, 10-9, 10-11, 12-3, 12-5, 12-7, 12-9, 12-10, 13-4, 13-16	W-63 1-14		
W-522 1-3, 1-7	W-793 1-9, 1-11, 1-13		
W-523 4-10, 4-13, 8-16, 9-3, 9-5, 9-7, 9-9, 10-3, 10-5, 10-7, 10-9, 10-11, 12-3, 12-5, 12-7, 12-9, 13-4, 14-6, 15-3	W-867 14-3		
W-524 5-13	W-88 5-14		
W-525 1-3, 5-3, 5-5, 5-7, 5-8, 5-11, 5-14, 8-3, 8-5, 8-7, 8-9, 8-11, 8-13, 8-	W-94 5-14		
	W14434 5-5, 5-7, 5-8, 13-2		
	W15513 5-11		
	W21962 10-9, 10-11		

--	--	--	--



CORPORATE OFFICE AND TRAINING CENTRE

2131 Airport Drive
Saskatoon, SK, Canada S7L 7E1
Tel: (306) 933-8585 Fax: (306) 933-8626
www.morris-industries.com

**MANUFACTURING AND
RESEARCH & DEVELOPMENT**

85 York Road Yorkton, SK, Canada S3N 3Z4
Tel: (306) 783-8585 Fax: (306) 782-5250

MANUFACTURING

284 - 6th Ave. N.W.
Minnedosa, MB, Canada R0J 1E0
Tel: (204) 867-2713 Fax: (204) 867-2678

UNITED STATES OFFICE

P.O. Box 1117
Minot, ND, USA 58702-1117
Tel: 1-866-663-8515
Fax: 1-866-663-8535

The policy of Morris Industries Ltd. is one of continuing improvement, therefore, the company reserves the right to change any specification without notice.